

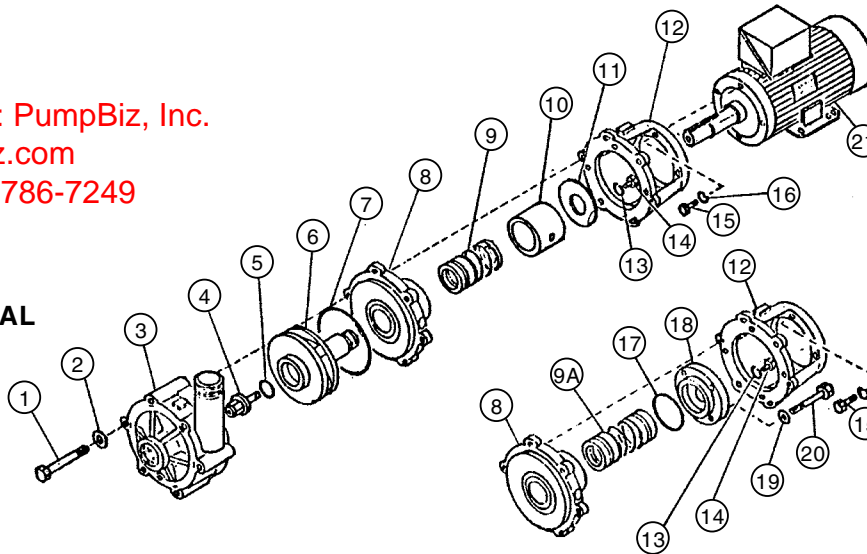


# SERIES 'HE' HORIZONTAL PUMP

PARTS LIST  
P-7200Q  
MAY, 2009  
PAGE 1 of 2

Distributed by: PumpBiz, Inc.  
www.PumpBiz.com  
800-PumpBiz 786-7249

**SINGLE  
MECHANICAL SEAL**



**DOUBLE  
MECHANICAL SEAL**

REPAIR TOOL: Double ended tool for installing single or double mechanical seals (items 9 or 9A). One supplied with each new pump.	PRICE CODE NO. 44-2730
--	---------------------------

ITEM	DESCRIPTION	PART NUMBER			
		CPVC	PVDF	PP	ECTFE
1	Hex bolt - stainless steel, 3/8"-16 x 3-3/4" long (6 req'd)	11-0364			
2	Flat washer- stainless steel, 3/8" size (6 req'd)	11-0126			
3 <sup>1</sup>	Suction casing	44-2743 C	44-2743 K	44-2743 PP	44-2743-H
4 <sup>2</sup>	Cap nut-stud	44-2687	44-2687 1	44-6408	44-6408-H
5 <sup>2</sup>	"O"-ring - Viton - ethylene propylene	22-0568 22-0569			
6 <sup>2</sup>	Impeller - #1 - 3.5" diameter #2 - 3.875" diameter #3 - 4.375" diameter #4 - 5.0" diameter #5 - 5.5" diameter	44-2686 1 44-2686 2 44-2686 3 44-2686 4 44-2686 5	44-2686 6 44-2686 7 44-2686 8 44-2686 9 44-2686 10	44-6404 44-6403 44-6402 44-6401 44-6400	44-6400-1H 44-6400-2H 44-6400-3H 44-6400-4H 44-6400-5H
7 <sup>2</sup>	"O"-ring - Viton - ethylene propylene	22-0544 22-0545			
8 <sup>1</sup>	Support casing	44-2744 C	44-2744 K	44-2744 PP	44-2744-H
9 <sup>2</sup>	Single mechanical seal L(M1) ethylene propylene, carbon, 304 SS, ceramic V(M2) Viton, carbon, 304 SS, ceramic V(M8) Viton, silicon carbide, 304 SS L(M8) EPDM, silicon carbide, 304 SS	55-0482 55-0481 55-0484 55-0516			
9A <sup>2</sup>	Double mechanical seal L(M1xM1) EPDM/EPDM, carbon, 304 SS, ceramic V(M2xM1) Viton/EPDM, carbon, 304 SS, ceramic V(M8xM1) Viton/EPDM, silicon carbide, 304 SS L(M8xM1) EPDM/EPDM, silicon carbide, 304 SS	55-0489 55-0488 55-0470 55-0517			
10	Mechanical seal spacer	44-1179			11-0900
11	Flat washer, 1" size - stainless steel	11-0607			
12	Motor connecting bracket	44-2683 1	44-6414	44-2683 1	
13	Lock washer, 5/16" size - stainless steel (4 req'd)	11-0205			
14	Hex bolt, 5/16"-18 x 1" long - stainless steel (4 req'd)	11-0112			
15	Hex bolt, 3/8"-16 x 1" long - stainless steel (4 req'd)	11-0375			
16	Lock washer, 3/8" size - stainless steel (4 req'd)	11-0140			
17 <sup>2</sup>	"O"-ring - ethylene propylene	22-0567			
18	Mechanical seal back plate	44-1182C	44-6415	44-1182C	
19	Flat washer, 5/16" size - stainless steel (4 req'd)	11-0122			
20 <sup>2</sup>	Hex bolt, 5/16"-18 x 3" long - stainless steel (4 req'd)	11-0313			
21	Motor - NEMA type JM, TEFC, 208-230/460/3/50-60 7.5 HP, 3450 RPM 5 HP, 3450 RPM 3 HP, 3450 RPM 2 HP, 3450 RPM 1.5 HP, 3450 RPM 1.5 HP, 1750 RPM 1 HP, 1750 RPM	66-1009 66-1010 66-1011 66-1012 66-1013 66-1014 66-1015			

**NOTE:** Refer to page 2 for pre-assembled Repair-Pac for single and double mechanical seal models.

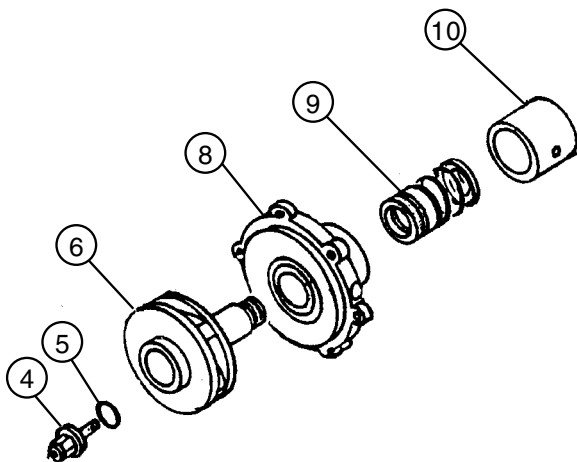
**ITEMS REQUIRED TO CONVERT SINGLE SEAL TO DOUBLE SEAL:** 9A, 17, 18, 19 and 20.

- <sup>1</sup> For CPVC pumps manufactured before 11/00, both the suction and the support casings must be replaced together.  
For PP pumps manufactured before 3/02, use 44-6410 (suction casing), 44-6412 (support casing) and remove '-1' from P/N of repair-pacs  
For PVDF pumps manufactured before 2007 use 44-2679-2 support casing and remove '-1' from p/n of repair-pacs which will be used with suction casing that does not have 'N' stamp on it. Replacement suction casing will require 44-2744-K support casing.
- <sup>2</sup> Recommended spare parts.

# REPAIR-PAC

These parts will be pre-assembled, ready for pump installation with minimum labor and risk of improper assembly.

## PUMP MODEL WITH SINGLE MECHANICAL SEAL

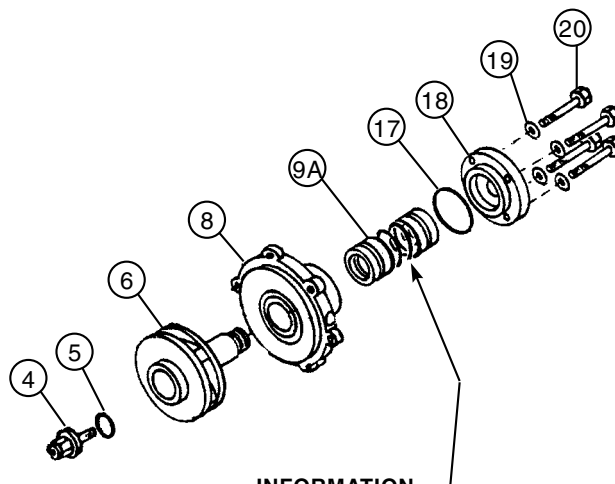


IMPELLER NUMBER	MECHANICAL SEAL	REPAIR-PAC NO.	PRICE CODE NO.			
			CPVC	PVDF	PP	ECTFE
1	L(M1)	1-L(M1)	44-2700 1	44-6197 1	44-6310 1	44-6310 1H
2		2-L(M1)	44-2701 1	44-6198 1	44-6311 1	44-6311 1H
3		3-L(M1)	44-2702 1	44-6199 1	44-6312 1	44-6312 1H
4		4-L(M1)	44-2703 1	44-6200 1	44-6313 1	44-6313 1H
5		5-L(M1)	44-2704 1	44-6201 1	44-6314 1	44-6314 1H
1	V(M2)	1-V(M2)	44-2705 1	44-6202 1	44-6315 1	44-6315 1H
2		2-V(M2)	44-2706 1	44-6203 1	44-6316 1	44-6316 1H
3		3-V(M2)	44-2707 1	44-6204 1	44-6317 1	44-6317 1H
4		4-V(M2)	44-2708 1	44-6205 1	44-6318 1	44-6318 1H
5		5-V(M2)	44-2709 1	44-6206 1	44-6319 1	44-6319 1H
1	V(M8)	1-V(M8)	44-2731 1	44-6300 1	44-6325 1	44-6325 1H
2		2-V(M8)	44-2732 1	44-6301 1	44-6326 1	44-6326 1H
3		3-V(M8)	44-2733 1	44-6302 1	44-6327 1	44-6327 1H
4		4-V(M8)	44-2734 1	44-6303 1	44-6328 1	44-6328 1H
5		5-V(M8)	44-2735 1	44-6304 1	44-6329 1	44-6329 1H
1	L(M8)	1-L(M8)	44-6801 1	44-6806 1	44-6811 1	44-6811 1H
2		2-L(M8)	44-6802 1	44-6807 1	44-6812 1	44-6812 1H
3		3-L(M8)	44-6803 1	44-6808 1	44-6813 1	44-6813 1H
4		4-L(M8)	44-6804 1	44-6809 1	44-6814 1	44-6814 1H
5		5-L(M8)	44-6805 1	44-6810 1	44-6815 1	44-6815 1H

Order "O"-ring separately, if required, (Item 7, page 1)

## PUMP MODEL WITH DOUBLE MECHANICAL SEAL

IMPELLER NUMBER	MECHANICAL SEAL	REPAIR-PAC NO.	PRICE CODE NO.			
			CPVC	PVDF	PP	ECTFE
1	L(M1xM1)	1-L(M1xM1)	44-2715 1	44-6212 1	44-6330 1	44-6330 1H
2		2-L(M1xM1)	44-2716 1	44-6213 1	44-6331 1	44-6331 1H
3		3-L(M1xM1)	44-2717 1	44-6214 1	44-6332 1	44-6332 1H
4		4-L(M1xM1)	44-2718 1	44-6215 1	44-6333 1	44-6333 1H
5		5-L(M1xM1)	44-2719 1	44-6216 1	44-6334 1	44-6334 1H
1	V(M2xM1)	1-V(M2xM1)	44-2720 1	44-6217 1	44-6335 1	44-6335 1H
2		2-V(M2xM1)	44-2721 1	44-6218 1	44-6336 1	44-6336 1H
3		3-V(M2xM1)	44-2722 1	44-6219 1	44-6337 1	44-6337 1H
4		4-V(M2xM1)	44-2723 1	44-6220 1	44-6338 1	44-6338 1H
5		5-V(M2xM1)	44-2724 1	44-6221 1	44-6339 1	44-6339 1H
1	V(M8xM1)	1-V(M8xM1)	44-2736 1	44-6305 1	44-6345 1	44-6345 1H
2		2-V(M8xM1)	44-2737 1	44-6306 1	44-6346 1	44-6346 1H
3		3-V(M8xM1)	44-2738 1	44-6307 1	44-6347 1	44-6347 1H
4		4-V(M8xM1)	44-2739 1	44-6308 1	44-6348 1	44-6348 1H
5		5-V(M8xM1)	44-2740 1	44-6309 1	44-6349 1	44-6349 1H
1	L(M8xM1)	1-L(M8xM1)	44-6816 1	44-6821 1	44-6826 1	44-6826 1H
2		2-L(M8xM1)	44-6817 1	44-6822 1	44-6827 1	44-6827 1H
3		3-L(M8xM1)	44-6818 1	44-6823 1	44-6828 1	44-6828 1H
4		4-L(M8xM1)	44-6819 1	44-6824 1	44-6829 1	44-6829 1H
5		5-L(M8xM1)	44-6820 1	44-6825 1	44-6830 1	44-6830 1H



### INFORMATION

Seal assemblies with Viton elastomers for the M2 and M8 components are identified by a green dot on the seat cup and installed toward the pump. The M1 EPDM component is installed toward the motor and is only in contact with water.

Order "O"-ring separately, if required, (Item 7, page 1)