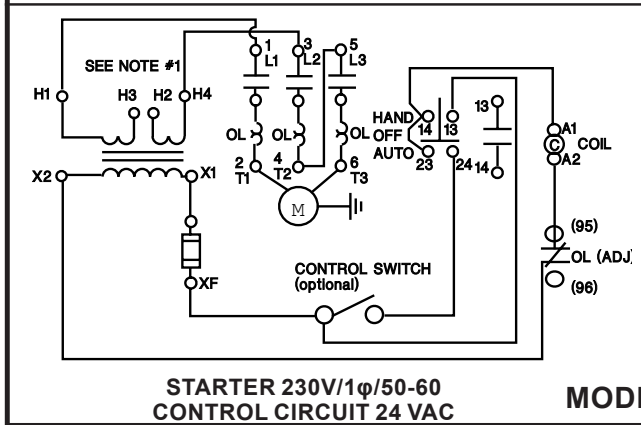
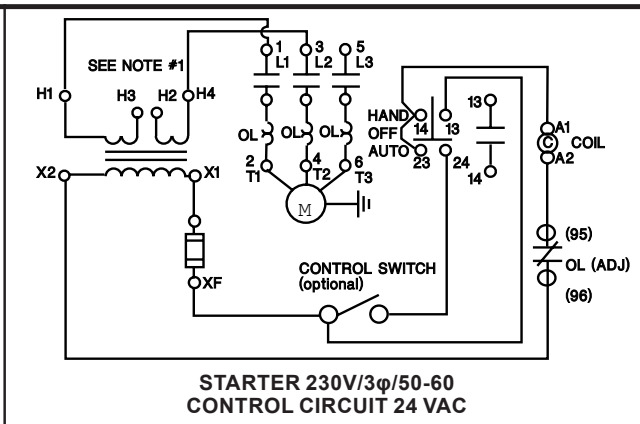
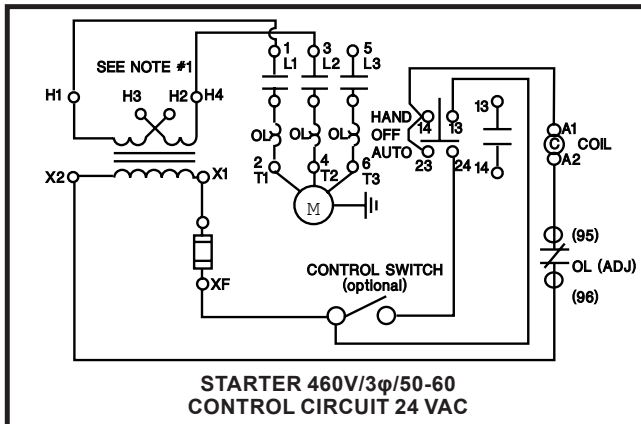
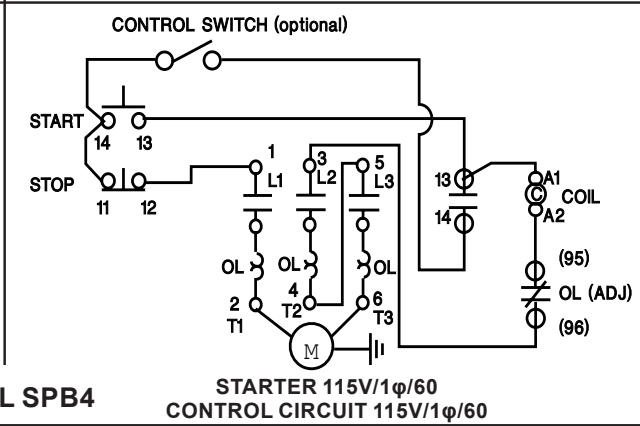
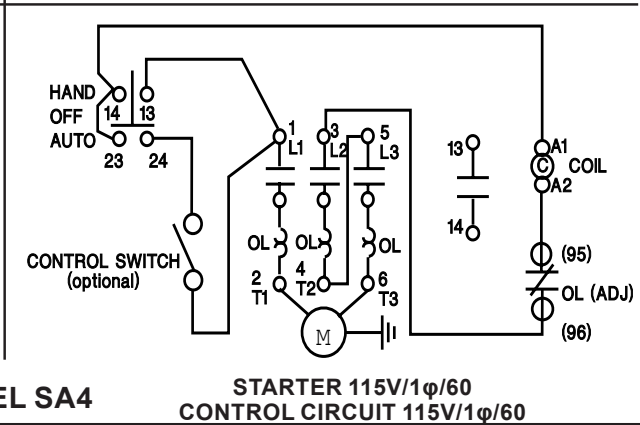


MODEL SPB4



MODEL SA4



NOTE #1: See label on transformer for primary jumper connections.