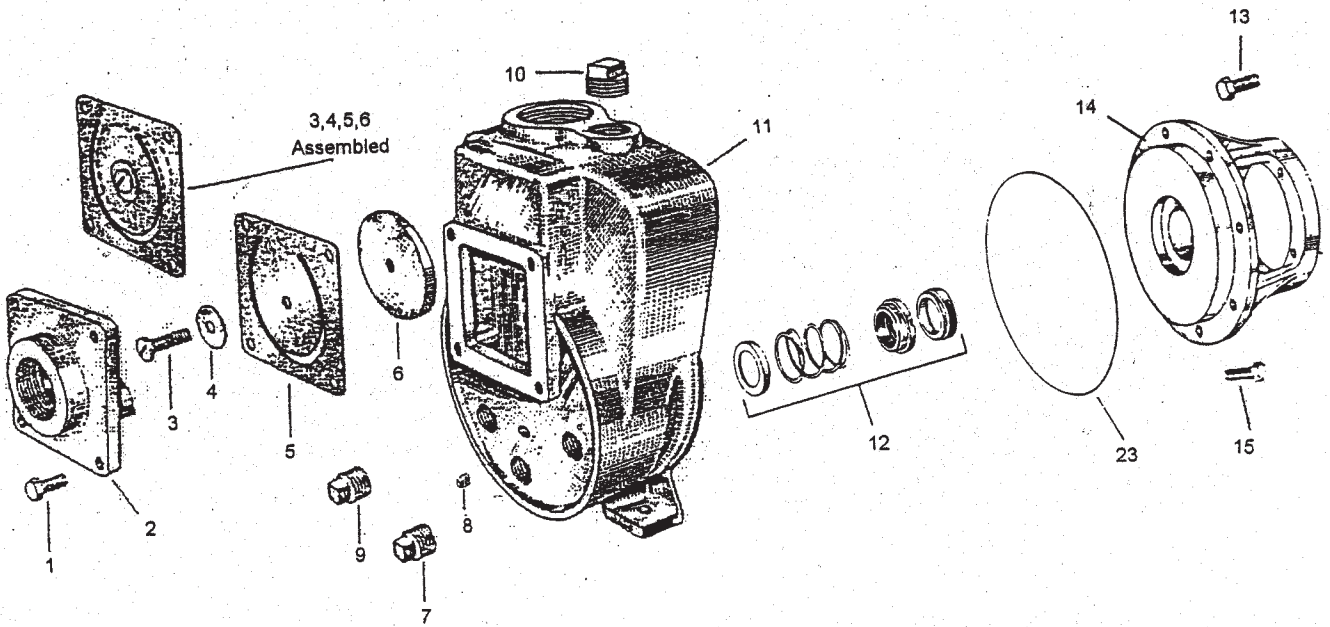
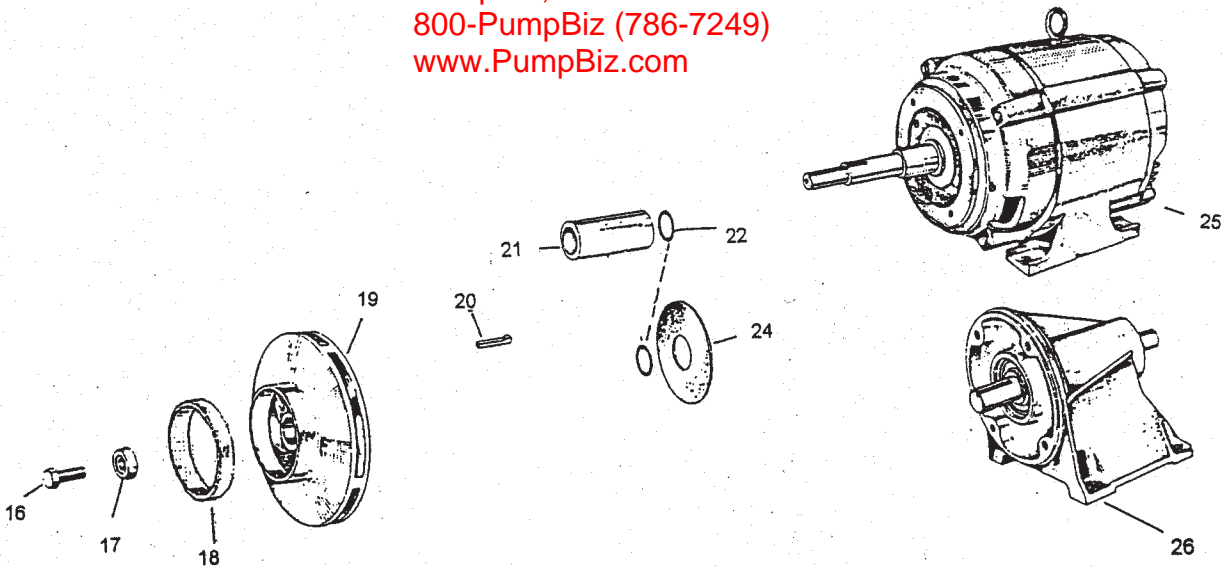


# H Series Parts Listing and Exploded Views

## HL & HH Series



Distributed by:  
PumpBiz, Inc  
800-PumpBiz (786-7249)  
[www.PumpBiz.com](http://www.PumpBiz.com)



Distributed by:  
PumpBiz, Inc  
800-PumpBiz (786-7249)  
www.PumpBiz.com

## HL Series

Item	Description	QTY	3HL	5HL	75HL	10HL	15HL
1	Suction Flg Cap Screw	4	14129225	14129225	14129225	14129225	14129225
2	Suction Flange 3" NPT	1	16001208	16001208	16001208	16001208	16001208
3	Flapper Weight Screw	1	14140313	14140313	14140313	14140313	14140313
4	Flapper Weight Washer	1	14074009	14074009	14074009	14074009	14074009
5	Suction Gasket / Flapper	1	13009105	13009105	13009105	13009105	13009105
6	Flapper Weight	1	16001406	16001406	16001406	16001406	16001406
7	3/4" Drain Plug	1	31006207	31006207	31006207	31006207	31006207
8	1/4" Vacuum Plug	1	31005911	31005911	31005911	31005911	31005911
9	3/4" Accessories Plug	2	31006207	31006207	31006207	31006207	31006207
10	1" Fill Plug	1	31006307	31006307	31006307	31006307	31006307
11	Self Primer Case	1	H1NI1	H1NI1	H1NI1	H1NI1	H1NI1
12	Mechanical Seal	1	10036903	10036903	10036903	10036903	10036903
13	Bracket / Motor Cap Screw 1ph	4	14129423	14129423	14129423	14178701	14178701
	Bracket / Motor Cap Screw 3ph				14178701		
14	Motor Bracket SinglePhase	1	2159200	2159200	2156909	2156909	N/A
	Motor Bracket Three Phase				2159200		2156909
15	Bracket / Case Cap Screw	8	14129225	14129225	14129225	14129225	14129225
16	Impeller Bolt	1	14129647	14129647	14129647	14129647	14129647
17	Impeller Washer	1	14412209	14412209	14412209	14412209	14412209
18B	Impeller Wear Ring	1	H1PM7	H1PM7	H1PM7	H1PM7	H1PM7
19	Impeller	1	H2BZ550	H2BZ643	H2BZ700	H2BZ756	H2BZ797
20	Impeller Key	1	14412407	14412407	14412407	14412407	14412407
21	Shaft Sleeve	1	8287211	8287211	8287211	8287211	8287211
22	Sleeve O-Ring	2	47002209	47002209	47002209	47002209	47002209
23	Case / Bracket O-Ring	1	47017108	47017108	47017108	47017108	47017108
24	Deflector	1	22020408	22020408	22020408	22020408	22020408
25	Motor	1					
26	Power Frame	1					

Distributed by:  
PumpBiz, Inc  
800-PumpBiz (786-7249)  
www.PumpBiz.com

## HH Series

Item	Description	QTY	5HH	75HH	10HH	15HH	20HH
1	Suction Flg Cap Screw	4	14129225	14129225	14129225	14129225	14129225
2	Suction Flange 4" NPT	1	16098808	16098808	16098808	16098808	16098808
3	Flapper Weight Screw	1	14140313	14140313	14140313	14140313	14140313
4	Flapper Weight Washer	1	14074009	14074009	14074009	14074009	14074009
5	Suction Gasket / Flapper	1	13037502	13037502	13037502	13037502	13037502
6	Flapper Weight	1	16098907	16098907	16098907	16098907	16098907
7	3/4" Drain Plug	1	31006207	31006207	31006207	31006207	31006207
8	1/4" Vacuum Plug	1	31005911	31005911	31005911	31005911	31005911
9	3/4" Accessories Plug	2	31006207	31006207	31006207	31006207	31006207
10	1" Fill Plug	1	31006307	31006307	31006307	31006307	31006307
11	Self Primer Case	1	H1N12	H1N12	H1N12	H1N12	H1N12
12	Mechanical Seal	1	10036903	10036903	10036903	10036903	10037002
13	Bracket / Motor Cap Screw	4	14129423	14178701	14178701	14178701	14389803
	Bracket / Motor Cap Screw			14129423			
14	Motor Bracket SinglePhase	1	2159200	2156909	2156909	2156909	2137503
	Motor Bracket Three Phase			2159200			
15	Bracket / Case Cap Screw	8	14129225	14129225	14129225	14129225	14129225
16	Impeller Bolt	1	14129647	14129647	14129647	14129647	14073324
17	Impeller Washer Adpt	1	14412209	14412209	14412209	14412209	14412308
18B	Impeller Wear Ring	1	N/A	N/A	N/A	N/A	N/A
19	Impeller	1	5123312	5122912	5123518	5123612	5191713
20	Impeller Key	1	14412407	14412407	14412407	14412407	14412506
21	Shaft Sleeve	1	8287211	8287211	8287211	8287211	8287310
22	Sleeve O-Ring	2	47002209	47002209	47002209	47002209	13038500
23	Case / Bracket O-Ring	1	47017108	47017108	47017108	47017108	47017108
24	Deflector	1	22020408	22020408	22020408	22020408	22020507
25	Motor	1					
26	Power Frame	1					