



MARCH PUMPS

1-800-PumpBiz

TE-7.5K-MD

TE-7.5P-MD

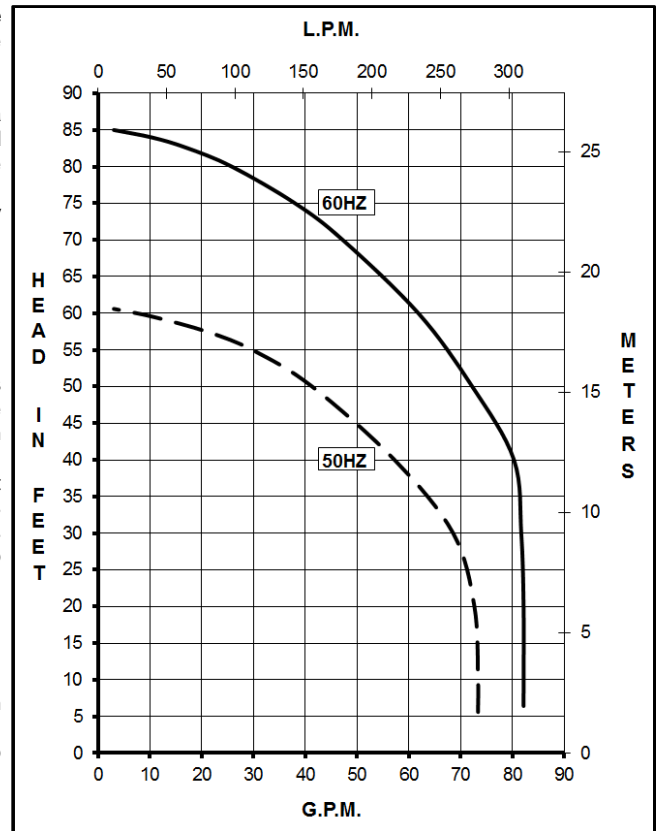
DESCRIPTION: Series 7.5 are centrifugal magnetic drive pumps, eliminating the need for a shaft seal. Pumps can be serviced with an adjustable wrench. See the parts list for a breakdown of parts.

OPERATION: Pumps are not self-priming, lack a suction lift, and thus require a **flooded suction**. Pumps **cannot be run dry** because the impeller requires the liquid being pumped for lubrication. The direction of motor rotation should be clockwise when facing the inlet of the pump. For liquids with a specific gravity greater than water, have a higher viscosity, or for elevated temperatures, a trimmed impeller may be necessary. For application assistance, contact March Pump.

ELECTRICAL: Motors are available in different electrical configurations such as 1 phase 115/230 Volt 60 Hz, 110/220 Volt 50 Hz, or 3 phase 230/460 Volt 60 Hz, 190/380 Volt 50 Hz. The motors are U.L. listed and rated as continuous duty.

CAUTION IN ASSEMBLY & DISASSEMBLY: The magnetic coupling in the pump is strong enough to warrant caution. When servicing the pump, the attraction of the impeller magnet and drive magnet may pull the impeller from your grasp. When assembling, hold onto the outer diameter of the impeller vanes with both hands and gently engage the impeller into the magnet field. Hold the impeller firmly and resist the magnetic attraction as you slowly put the impeller back in. The magnetic forces are strongest between 1/3 to 2/3 of engagement and will diminish when the magnets become aligned. Do not allow the impeller to snap into the rear housing, doing so may result in damage. Exercise caution in placing any of the magnets near steel, tools, or other sensitive instruments as doing so may result in damage or personal injury. When attaching drive magnet to motor shaft, position the face of the drive magnet 5/32 inch above the face of the motor bracket.

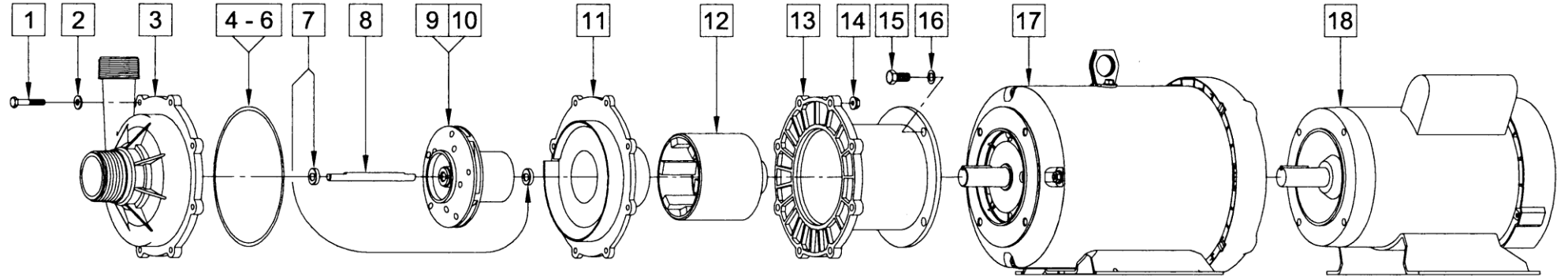
LIMITED WARRANTY: March pumps are guaranteed only against defects in workmanship or materials for a period of one year from date of manufacture pumping water. For the complete warranty and to register online go to www.marchpump.com/warranty-registration



Model Abbreviations		K: Kynar, P: Polypropylene									
MODELS		TE-7.5K-MD				TE-7.5P-MD					
Product #	1 Phase	0156-0001-0200				0156-0059-0400					
	3 Phase	0156-0001-0100				0156-0059-0100					
Units		60 Hz		50 Hz		60 Hz		50 Hz			
Max Flow		82 gpm		268 lpm		82 gpm		268 lpm			
Max Head		85 ft / 36.8 psi		18 m		85 ft / 36.8 psi		18 m			
Inlet - Outlet		2" MPT - 1-1/2" MPT				2" MPT - 1-1/2" MPT					
Max Internal Pressure		60 psi / 413 kPa				60 psi / 413 kPa					
Max Liquid Temperature		190 °F / 87 °C				190 °F / 87 °C					
Packed Weight	1 Phase	64.80 lbs / 29.39 kg				64.80 lbs / 29.39 kg					
	3 Phase	97.00 lbs / 43.99 kg				97.00 lbs / 43.99 kg					
ELECTRICAL 60 Hz		W	A	Hp	Rpm	W	A	Hp	Rpm		
1 Phase 115 V		2180	22	2	3450	2180	22	2	3450		
1 Phase 230 V		2180	11	2	3450	2180	11	2	3450		
3 Phase 230 V		1870	4.8	2	3450	1870	4.8	2	3450		
3 Phase 460 V		1870	2.4	2	3450	1870	2.4	2	3450		
ELECTRICAL 50 Hz		W	A	kW	Rpm	W	A	kW	Rpm		
1 Phase 100 V		1372	20	1.118	2850	1372	20	1.118	2850		
1 Phase 200 V		1372	10	1.118	2850	1372	10	1.118	2850		
3 Phase 190 V		1150	4.6	1.118	2850	1150	4.6	1.118	2850		
3 Phase 380 V		1150	2.3	1.118	2850	1150	2.3	1.118	2850		
Overall Pump Size		Height		Width		Height		Width		Length	
1 Phase		10" / 25.4 cm		9.53" / 24.2 cm		19.58" / 49.7 cm		10" / 25.4 cm		9.53" / 24.2 cm	
3 Phase		10" / 25.4 cm		11.33" / 28.7 cm		20.67" / 52.5 cm		10" / 25.4 cm		11.33" / 28.7 cm	
Materials in Contact With Solution		Natural Kynar (PVDF), Ceramic, Viton, Carbon					Polypropylene, Ceramic, Viton, Carbon				

All specifications & data are based on pumping water & are intended as a guideline only. Specifications may vary with different motors.

REPAIR PARTS LIST



TE-7.5K-MD

TE-7.5P-MD

#	DESCRIPTION	MATERIAL	SIZE (Inches)	QTY.	PART #	#	DESCRIPTION	MATERIAL	SIZE (Inches)	QTY.	PART #
1	Screw	Stainless Steel	1/4-20 x 1-1/2 Lg.	8	0153-0011-1000	1	Screw	Stainless Steel	1/4-20 x 1-1/2 Lg.	8	0153-0011-1000
2	Washer	Stainless Steel	1/4 ID x 5/8 OD	8	0157-0023-1000	2	Washer	Stainless Steel	1/4 ID x 5/8 OD	8	0157-0023-1000
3A	Front Housing	Natural Kynar		1	0156-0001-1000	3B	Front Housing	Polypropylene		1	0156-0060-1000
4	"O" Ring	Viton	0.157 CS x 6.457 ID	1	0156-0010-1000	4	"O" Ring	Viton	0.157 CS x 6.457 ID	1	0156-0010-1000
5	"O" Ring (Option)	Viton/Teflon	0.157 CS x 6.457 ID	1	0156-0023-1000						
6	"O" Ring (Option)	EPDM	0.157 CS x 6.457 ID	1	0156-0034-1000	6	"O" Ring (Option)	EPDM	0.157 CS x 6.457 ID	1	0156-0034-1000
7	Thrust Washer (Front & Rear)	Ceramic		2	0156-0016-1000	7	Thrust Washer (Front & Rear)	Ceramic		2	0156-0016-1000
8	Shaft	Ceramic	4.500 Lg.	1	0156-0007-1000	8	Shaft	Ceramic	4.500 Lg.	1	0156-0007-1000
9A	Impeller w/Carbon Bushing	Natural Kynar		1	0156-0004-0200	9B	Impeller w/Carbon Bushing	Polypropylene		1	0156-0064-0200
10A	Impeller w/Mica Teflon Bushings (Option)	Natural Kynar		1	0156-0004-0300	10B	Impeller w/Mica Teflon Bushings (Option)	Polypropylene		1	0156-0064-0300
11A	Rear Housing	Natural Kynar		1	0156-0002-1000	11B	Rear Housing	Polypropylene		1	0156-0061-1000
12	Drive Magnet			1	0156-0009-0100	12	Drive Magnet			1	0156-0009-0100
13	Motor Bracket	Plastic		1	0156-0041-1000	13	Motor Bracket	Plastic		1	0156-0041-1000
14	Hex Nut	Stainless Steel	1/4-20	8	0156-0053-1000	14	Hex Nut	Stainless Steel	1/4-20	8	0156-0053-1000
15	Screw	Stainless Steel	3/8-16 x 1 Lg.	4	0155-0017-1000	15	Screw	Stainless Steel	3/8-16 x 1 Lg.	4	0155-0017-1000
16	Washer	Stainless Steel	3/8 ID x 5/8 OD	4	0155-0019-1000	16	Washer	Stainless Steel	3/8 ID x 5/8 OD	4	0155-0019-1000
17	Motor, TEFC, 2 HP, 230/460 V, 50/60 Hz, 3 Phase			1	0156-0008-1000	17	Motor, TEFC, 2 HP, 230/460 V, 50/60 Hz, 3 Phase			1	0156-0008-1000
18	Motor, TEFC, 2 HP, 115/230 V, 50/60 Hz, 1 Phase			1	0156-0022-1000	18	Motor, TEFC, 2 HP, 115/230 V, 50/60 Hz, 1 Phase			1	0156-0022-1000
W1	Wet End Kit (Items: 1, 2, 3, 4, 7, 8, 9, 11,14)			1	0156-0031-0100	W2	Wet End Kit (Items: 1, 2, 3, 4, 7, 8, 9, 11,14)			1	0156-0066-0100

Explosion proof and special voltage motors are available upon special order.

NOTE: Contact Factory for other materials and/or parts not listed.

0156-0015-1000 R16