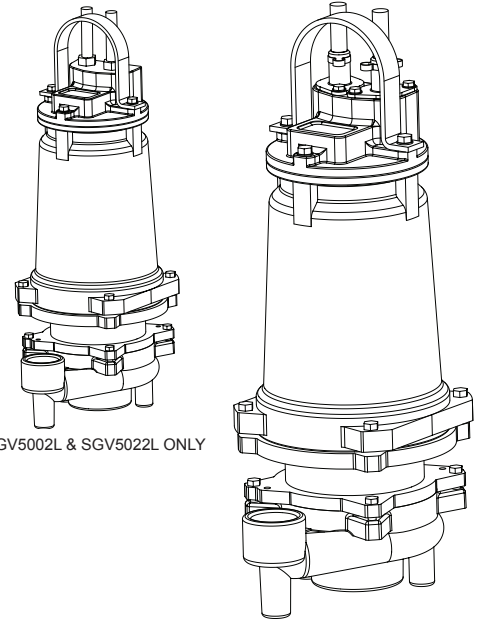


### Submersible Grinder Pumps

## Specifications:

<b>DISCHARGE</b> .....	2" NPT, Vertical
<b>LIQUID TEMPERATURE</b> .....	104°F (40°C) Continuous
<b>VOLUTE</b> .....	Cast Iron ASTM A-48, Class 30.
<b>MOTOR HOUSING</b> .....	Cast Iron ASTM A-48, Class 30.
<b>SEAL PLATE</b> .....	Cast Iron ASTM A-48, Class 30.
<b>IMPELLER: Design</b> .....	12 Vane, Vortex, With Pump Out Vanes On Back Side. Dynamically Balanced, ISO G6.3.
<i>Material</i> .....	Cast Iron
<b>SHREDDING RING</b> .....	Hardened 440C Stainless Steel Rockwell® C-55.
<b>CUTTER</b> .....	Hardened 440C Stainless Steel, Rockwell® C-55.
<b>SHAFT</b> .....	416 Stainless Steel
<b>SQUARE RINGS</b> .....	Buna-N
<b>HARDWARE</b> .....	300 Series Stainless Steel
<b>PAINT</b> .....	Air Dry Enamel.
<b>SEAL: Design</b> .....	Tandem Mechanical, Oil Filled Reservoir.
<i>Material</i> .....	Rotating Faces - Carbon Stationary Faces - Ceramic Elastomer - Buna-N Hardware -300 Series Stainless
<b>CORD ENTRY:</b>	
<i>SGV5002L &amp; SGV5022L</i> .....	30 ft. (9m) Std. Cord. Pressure Grommet for Sealing and Strain Relief.
<i>All Other Models</i> .....	30 ft. (9m) Std. Cord. Custom Molded Quick Connect for For Sealing and Strain Relief
<b>CORD</b> .....	CSA/UL Approved 10/4, 6/4, 8/4 Type SOW.
<b>UPPER BEARING:</b>	
<i>Design</i> .....	Single Row, Ball, Oil Lubricated
<i>Load</i> .....	Radial
<b>INTERMEDIATE BEARING:</b>	
<i>Design</i> .....	Single Row, Ball, Oil Lubricated
<i>Load</i> .....	Radial & Thrust
<b>LOWER BEARING:</b>	
<i>Design</i> .....	Sleeve, Oil Lubrication:
<i>Load</i> .....	Radial
<b>MOTOR: Design</b> .....	NEMA L-Single Phase, NEMA B-Three Phase Torque Curve. Oil-Filled, Squirrel Cage Induction.
<i>Insulation</i> .....	Class F.
<b>SINGLE PHASE</b> .....	Capacitor Start/Capacitor Run. Requires Overload Protection to be Included In control panel, Requires Barnes® Starter or Control Panel which Includes Capacitors, or Capacitor pack.
<b>THREE PHASE</b> .....	Dual Voltage 240/480; Requires Overload Protection to be Included in control panel.
<b>OPTIONAL EQUIPMENT</b> .....	Seal Material, Impeller Trims, Cord Length. Moisture Sensors, Moveable Fitting
<b>RECOMMENDED:</b>	
<i>Accessories</i> .....	Break Away Fitting (BAF) Check Valve Control Panel
<i>Seal Kit PN</i> .....	085223
<i>Service Kit PN</i> .....	115771



SGV5002L & SGV5022L ONLY

**Series: SGV**  
**3, 5, 7.5 HP,**  
**3450RPM, 60Hz**



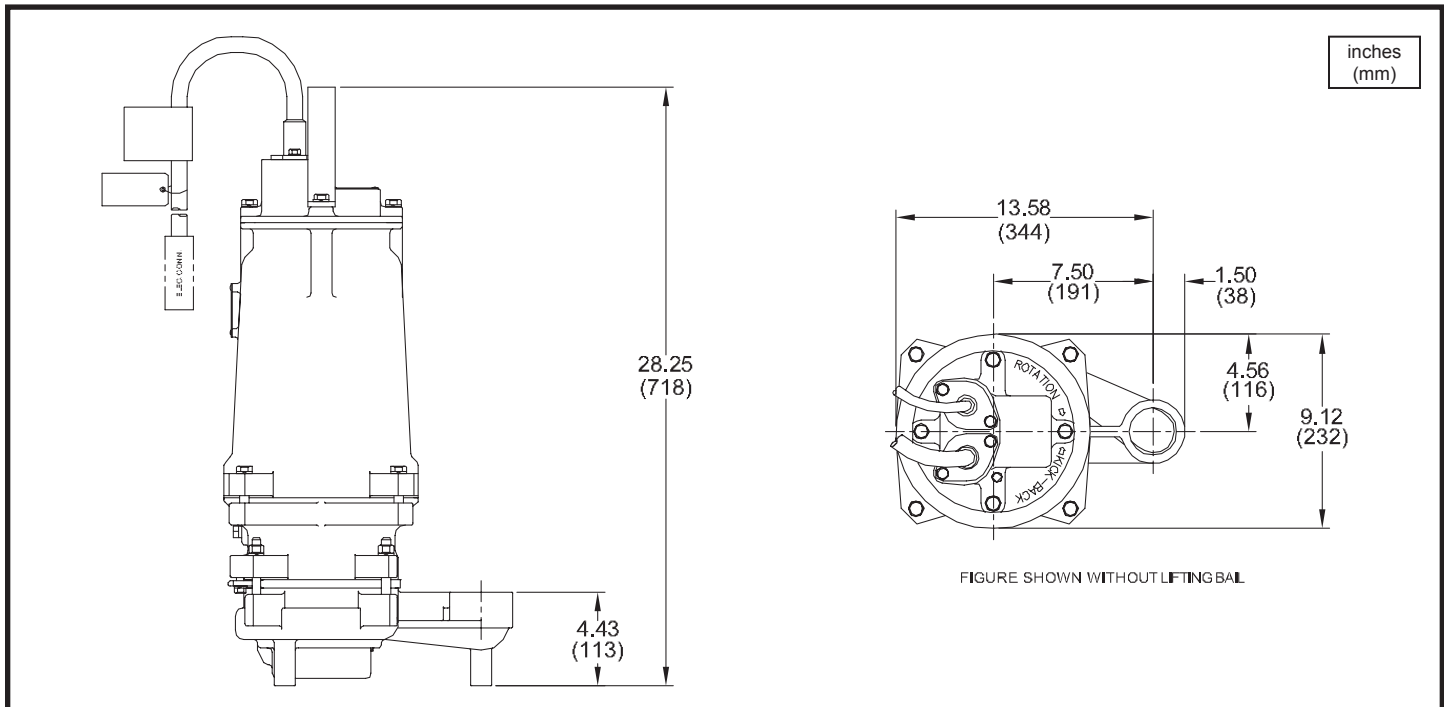
CSA 108 - File No. LR16567  
UL 778

Sample Specifications: Section 3 Page 9.

### DESCRIPTION:

THE GRINDER PUMP IS DESIGNED TO REDUCE DOMESTIC, COMMERCIAL, INSTITUTIONAL AND LIGHT INDUSTRIAL SEWAGE TO A FINELY GROUND SLURRY.

### Submersible Grinder Pumps



MODEL NO	PART NO	HP	VOLT/PH	Hz	RPM (Nom)	NEMA START CODE	FULL LOAD AMPS	LOCKED ROTOR AMPS	CORD SIZE	CORD TYPE	CORD O.D. ± .02 (.5) in (mm)
SGV3072L	111608	3	200/240/1	60	3450	G	25.2/21.7	86/75	10/4	SOW	.75 (19)
SGV3062L	111612	3	200/3	60	3450	J	17.0	65.0	10/4	SOW	.75 (19)
SGV3032L	111609	3	240/3	60	3450	K	14.5	62.0	10/4	SOW	.75 (19)
SGV3042L	111610	3	480/3	60	3450	K	7.2	31.0	10/4	SOW	.75 (19)
SGV3052L	111611	3	600/3	60	3450	J	5.6	22.6	10/4	SOW	.75 (19)
SGV5002L	115657	5	200/1	60	3450	F	42.0	134.0	6/4	SOW	1.03 (26)
SGV5022L	115658	5	240/1	60	3450	H	39.0	136.0	8/4	SOW	.93 (24)
SGV5062L	111619	5	200/3	60	3450	K	25.0	122.0	10/4	SOW	.75 (19)
SGV5032L	111616	5	240/3	60	3450	L	21.9	120.0	10/4	SOW	.75 (19)
SGV5042L	111617	5	480/3	60	3450	L	11.0	60.0	10/4	SOW	.75 (19)
SGV5052L	111618	5	600/3	60	3450	L	8.8	46.0	10/4	SOW	.75 (19)
<b>SGV7532L</b>	<b>111613</b>	<b>7.5</b>	<b>240/3</b>	<b>60</b>	<b>3450</b>	<b>J</b>	<b>22.3</b>	<b>136.0</b>	<b>10/4</b>	<b>SOW</b>	<b>.75 (19)</b>
<b>SGV7542L</b>	<b>111614</b>	<b>7.5</b>	<b>480/3</b>	<b>60</b>	<b>3450</b>	<b>J</b>	<b>11.2</b>	<b>68.0</b>	<b>10/4</b>	<b>SOW</b>	<b>.75 (19)</b>
SGV7552L	111615	7.5	600/3	60	3450	G	8.2	45.0	10/4	SOW	.75 (19)

Temperature sensor cord for SGV5002L & SGV5022L is 14/2 SOW, 0.55 (14mm) ± .02 (.51mm) O.D.

Temperature sensor cord for all other models is 14/3 SOW, 0.55 (14mm) ± .02 (.51mm) O.D.

**Optional** - Moisture and Temperature sensor cord for all models is 18/5 SOW, 0.47 (12mm) ± .02 (.51mm) O.D., replaces Temperature sensor cord.

#### IMPORTANT !

- 1.) PUMP MAY BE OPERATED "DRY" FOR EXTENDED PERIODS WITHOUT DAMAGE TO MOTOR AND/OR SEALS.
- 2.) THIS PUMP IS APPROPRIATE FOR THOSE APPLICATIONS SPECIFIED AS CLASS I DIVISION II HAZARDOUS LOCATIONS.
- 3.) THIS PUMP IS NOT APPROPRIATE FOR THOSE APPLICATIONS SPECIFIED AS CLASS I DIVISION I HAZARDOUS LOCATIONS.
- 4.) INSTALLATIONS SUCH AS DECORATIVE FOUNTAINS OR WATER FEATURES PROVIDED FOR VISUAL ENJOYMENT MUST BE INSTALLED IN ACCORDANCE WITH THE NATIONAL ELECTRIC CODE ANSI/NFPA 70 AND/OR THE AUTHORITY HAVING JURISDICTION. THIS PUMP IS NOT INTENDED FOR USE IN SWIMMING POOLS, RECREATIONAL WATER PARKS, OR INSTALLATIONS IN WHICH HUMAN CONTACT WITH PUMPED MEDIA IS A COMMON OCCURRENCE.

SECTION 3B  
PAGE 6  
DATE 7/04

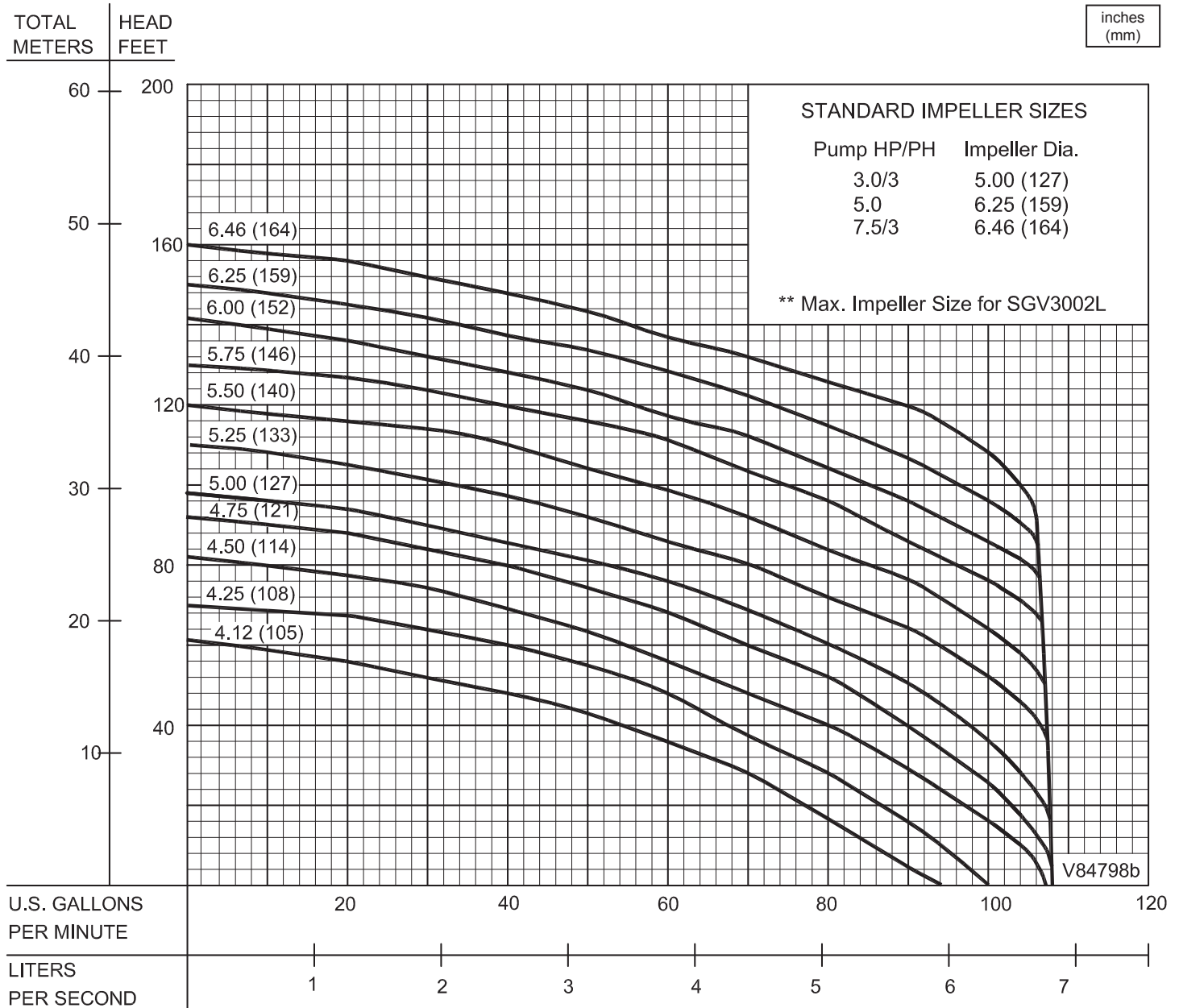
**CRANE**®

A Crane Co. Company

**PUMPS & SYSTEMS**

USA: (937) 778-8947 • Canada: (905) 457-6223 • International: (937) 615-3598

### Submersible Grinder Pumps



Testing is performed with water, specific gravity 1.0 @ 68° F @ (20°C), other fluids may vary performance