

Series: PF20000

**Submersible Dewatering Pumps
2" NPT & 3" NPT Female, 2.0HP**



**Series:
PF20000**

**2.0HP
60 Hz
3450RPM**



Power-Flo pumps are compact, lightweight powerful Portable Electric Submersible Pumps. They are whisper quiet and will perform in any position. Power-Flo pumps can be staged in series for higher head applications.

Power-Flo in-line design assures maximum heat transferred to the pumped liquid. Power-Flo pumps can operate in up to 140°F (60°C) temperature water. Power-Flo design provides the coolest operating motor for maximum life.

Consult the factory prior to pumping fluids other than water for professional instructions.

**Vacuum Pressure Impregnation
"VPI" Sealed Insulation System**

VPI motor enhancement system was developed to greatly extend the winding life expectancy of an electric motor. The motor stator is loaded into a pressure vessel and immersed in the specialty selected varnish.

All gas pockets located within the stator are evacuated under vacuum. The varnish is drawn into the stator core, completely occupying all voids in the winding. Following a series of processes, ending in a controlled bake, the winding is 100% impregnated and sealed.

DISCHARGE CASE	Aluminum, Hard Anodized, 3" w/2" adaptor
DIFFUSER	Aluminum, Hard Anodized
SUCTION CASE	Aluminum, Hard Anodized, with wear resistant polyurethane liner
FRAME & OUTER CASE	Aluminum, Hard Anodized
WEAR PLATE	Polyurethane
PUMP SHAFT	Stainless Steel
IMPELLER	Hardened 17-4 Stainless Steel
HARDWARE	Stainless Steel
O-RINGS	Buna-N
SEAL	Tandem mechanical, Oil lubricated
INBOARD	Material: Rotating Face - Carbon Stationary Face - Ceramic Elastomer - Buna-N Hardware - 300 Series Stainless
OUTBOARD	Material: Rotating Face - Silicon Carbide Stationary Face - Silicon Carbide Elastomer - Buna-N Hardware - 300 Series Stainless
STRAINER	Stainless Steel, 1/4" Holes
UPPER BEARING	Single Row, Shielded, Ball Lubrication: Prelubricated high-temperature grease Load: Radial
LOWER BEARING	Single Row, Shielded, Ball Lubrication: Prelubricated high-temperature grease Load: Radial & Thrust
CORD ENTRY	50Ft. with Strain Relief and Pressure Grommet for Sealing
MOTOR	Insulation: Class H
CONTROL	NEMA 3R Rainproof

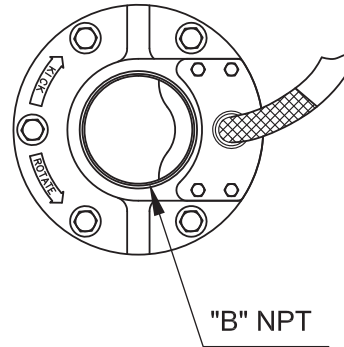
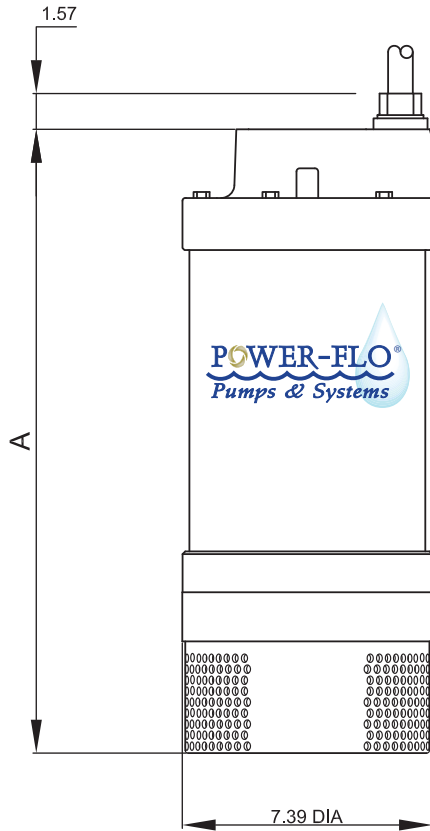
MODEL	POWER CORD WEIGHT	CONTROL BOX WEIGHT	PUMP ONLY WEIGHT	SHIPPING WEIGHT
2 hp	13.2 lbs	8.8 lbs	49.5 lbs	80 lbs

VPI is greatly superior to the "dip and bake" method which may provide only 50% to 70% of effective insulation leaving voids and air pockets. VPI provides 100% solid mass structure which provides the greatest mechanical strength and a cooler running motor due to superior heat dissipation.

Series: PF20000



Submersible Dewatering Pumps
2" NPT & 3" NPT, Female, 2.0HP



PUMP SERIES	HP	DIM "A" (inches)	NPT Discharge
PF20000	2	18.00	2" & 3"

MODEL #	HP	VOLT/PH	Hz	RPM	NEMA START CODE	FULL LOAD AMPS	LOCKED ROTOR AMPS	CORD SIZE	CORD TYPE	MAX CORD LENGTH (FT)
PF20111	2.0	115/1	60	3450	F	23.3	92.4	12/4	SOW	125
PF20112	2.0	230/1	60	3450	G	11.7	51.1	12/4	SOW	196

Notes: Add "LC" to model number for Less Control Box.

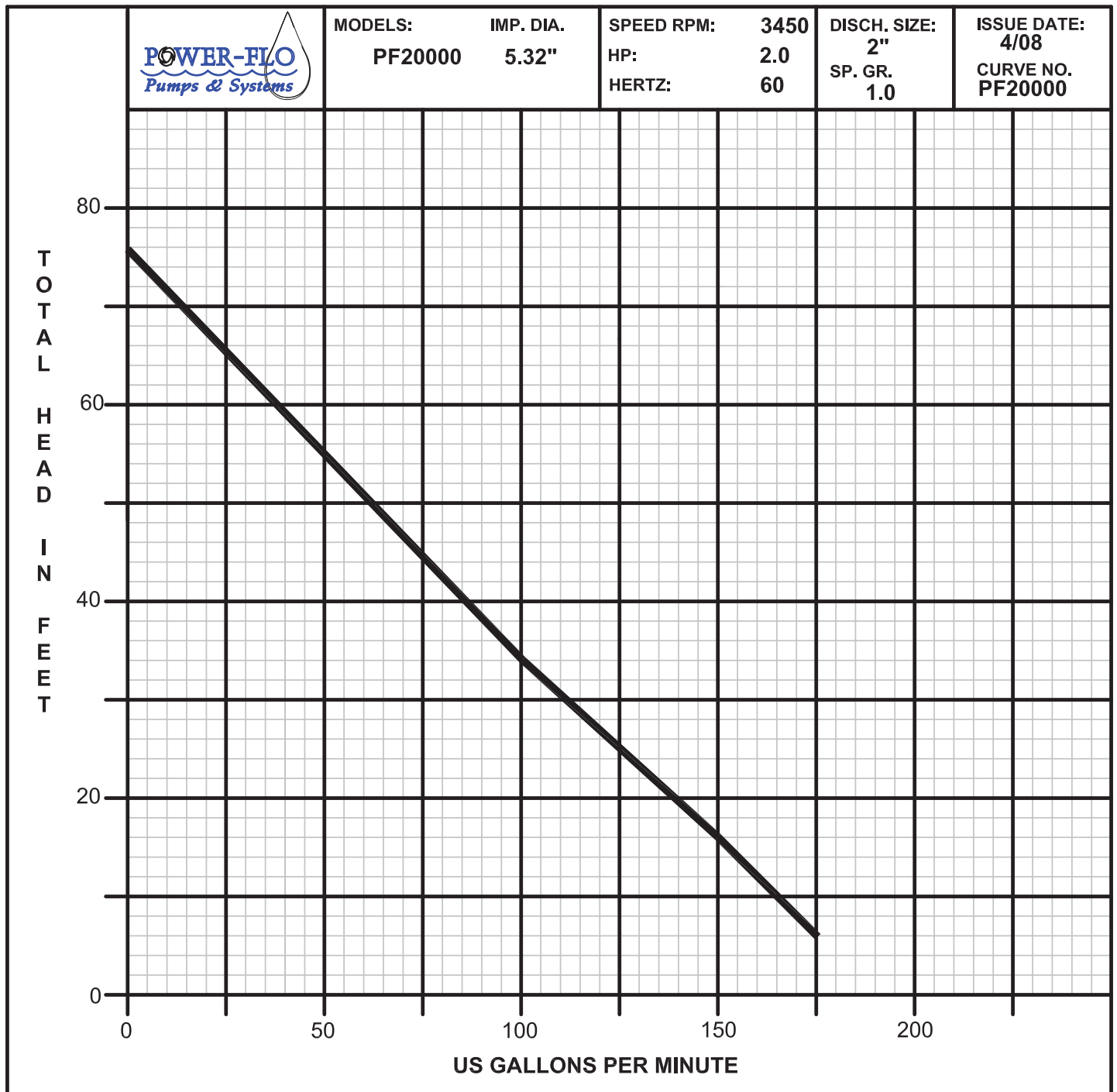
IMPORTANT APPLICATION INFORMATION !

- 1) FOR THOSE APPLICATIONS SPECIFIED AS CLASS I DIVISION II HAZARDOUS LOCATIONS THIS PUMP AND CONTROL SUPPLIED ARE NOT APPROPRIATE FOR HAZARDOUS LOCATIONS.
- 2) INSTALLATIONS SUCH AS DECORATIVE WATER FEATURES MUST BE INSTALLED IN ACCORDANCE WITH THE NATIONAL ELECTRIC CODE ANSI/NFPA 70. THIS PUMP IS NOT INTENDED FOR USE IN RECREATIONAL WATER PARKS, SWIMMING POOLS, OR INSTALLATIONS IN WHICH HUMANS ARE IN CONTACT WITH THE PUMPED FLUID.



Series: PF20000

**Submersible Dewatering Pumps
2" NPT & 3" NPT, Female, 2.0HP**

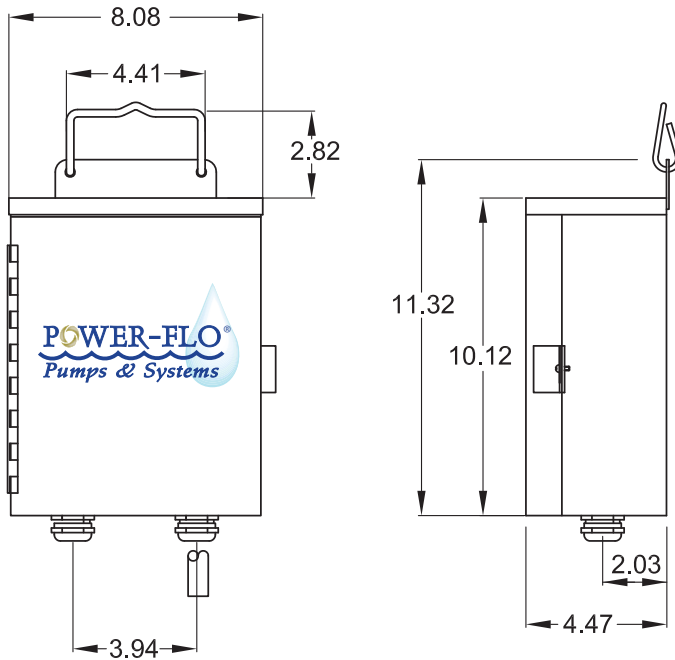


Series: PF20000

Submersible Dewatering Pumps
2" NPT & 3" NPT, Female, 2.0HP



Control Box (1PH) 2HP, 2.75HP, 3.5HP, 5HP



NEMA 3R RAINPROOF CONTROL

Pump P/N:	Control P/N
PF20111	V200811
PF20112	V200812