

Distributed by:  
PumpBiz, Inc.  
800-PumpBiz  
www.pumpbiz.com



### RANGE OF PERFORMANCE

Flow rate up to 21 gpm  
Head up to 236 ft

### LIMITS OF USE

Manometric suction lift up to 29 ft  
Liquid temperature up to + 104°F  
Environment temperature up to + 104°F

### CONSTRUCTION AND SAFETY STANDARDS

EN 60 335-1	EN 60034-1
IEC 335-1	IEC 34-1
CEI 61-150	CEI 2-3



### INSTALLATION AND USE

They are recommended for pumping clean water and liquids that are chemically non aggressive to the materials from which the pump is made.

**JCR SELF-PRIMING PUMPS ARE DESIGNED FOR SUCTION LIFTS AND CAN BE POSITIONED ABOVE THE WATER SOURCE, INCLUDING APPLICATIONS WITH AIR ENTRAINED IN THE WATER. DUE TO THEIR RELIABILITY AND LOW MAINTENANCE, THEY ARE RECOMMENDED FOR DOMESTIC USE, INCLUDING WATER DISTRIBUTION (AS PART OF A PRESSURE SET), GARDEN IRRIGATION, ETC.**

The pumps must be installed in enclosed places, or at least protected against inclement weather.

**GUARANTEE 2 YEARS** subject to our general terms of sale.

### CONSTRUCTION CHARACTERISTICS

- **PUMP BODY:** stainless steel AISI 304, with threaded ports.
- **BODY BACK-PLATE:** stainless steel AISI 304.
- **EJECTOR ASSEMBLY:** technopolymer (approved for drinking water).
- **IMPELLER:** technopolymer (for drinking water).
- **MOTOR SHAFT:** stainless steel EN 10088-3 - 1.4104
- **MECHANICAL SEAL:** ceramic - graphite - NBR.
- **ELECTRIC MOTOR:** the pumps are close-coupled to a carefully matched PEDROLLO electric motor, quiet running, totally enclosed fan cooled (TEFC), suitable for continuous dut..
  - JCR: single-phase 115 V or 230 V - 60 Hz with capacitor and thermal overload protector.
  - JCR: three-phase 230/460 V - 60 Hz.
- **INSULATION:** class F. • **PROTECTION:** IP 44.

### OPTIONS ON REQUEST

⇒ other voltages or frequency 50 Hz

# CURVES AND PERFORMANCE DATA

**JCR 05**

Suction Lift Depth (feet)	Discharge Pressure - PSI				Max Shut OFF PSI
	30	40	50	60	
	Discharge Capacity US GPM				
5	12	8	5	2	70
10	11	6.5	4	1.5	68
15	10.5	6.5	3.5	1	65.5
20	8.5	5.5	3	0.5	62.5
25	8	5	2.5		61.5

**JCR 07**

Suction Lift Depth (feet)	Discharge Pressure - PSI				Max Shut OFF PSI
	30	40	50	60	
	Discharge Capacity US GPM				
5	21	20	7	2	65
10	18.5	11	6.5	1.5	63
15	16.2	10	5.3		61
20	14.9	8	2.9		59
25	7.2	5.5	1.5		57

**JCRH 07**

Suction Lift Depth (feet)	Discharge Pressure - PSI				Max Shut OFF PSI
	30	40	50	60	
	Discharge Capacity US GPM				
5	14	13	8.5	6	80
10	13	12	8	5	78
15	12	11	7	4	76
20	10	9	6	3	74
25	9	7	5	2	72

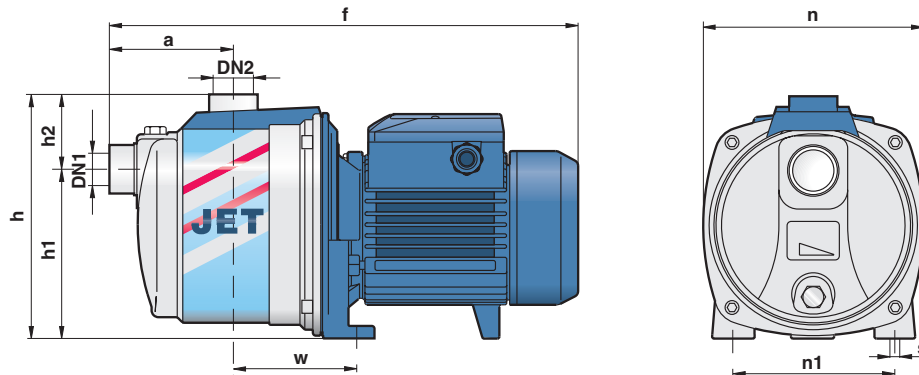
**JCR 10**

Suction Lift Depth (feet)	Discharge Pressure - PSI				Max Shut OFF PSI
	30	40	50	60	
	Discharge Capacity US GPM				
5	22	21	15.9	10	79
10	22	21	14.5	8.5	77
15	21	20	12.6	7.2	75
20	20	18.5	10.6	5	73
25	20	18	10.3	4	71

**JCRH 10**

Suction Lift Depth (feet)	Discharge Pressure - PSI				Max Shut OFF PSI
	30	40	50	60	
	Discharge Capacity US GPM				
5	14	14	12	9	102
10	13.5	13.5	10	7.5	100
15	13	13	9.8	7	98
20	13	12.5	9	6.5	96
25	12	11	8	6	94

## DIMENSIONS AND WEIGHT



MODEL		SUCTION /DISCH		DIMENSIONS INCHES									LBS	
1 PH	3 PH	DN1	DN2	a	f	h	h1	h2	n	n1	w	s	1~	3~
JCR 05	JCR 05	1"	1"	3.5	13.9/ 13.6	6.9	4.8	2.0	6.3	4.7	3.7	0.4	15.2	14.3
JCR-JCRH 07	JCR-JCRH 07	1 1/4"	1"	4.6	16.0	8.1	5.7	2.2	7.2	5.3	4.3	0.4	20.7	21.2
JCR-JCRH 10	JCR-JCRH 10	1 1/4"	1"	4.6	16.0	8.1	5.7	2.2	7.2	5.3	4.3	0.4	23.8	22.9