



Series: PFSE

Submersible Sewage Pumps 2" Discharge, 2" Spherical Solids, 1/2, 3/4 & 1HP



DISCHARGE	2" NPT, Female, Vertical
LIQUID TEMPERATURE	104°F Continuous
VOLUTE	Cast Iron, Class 30
MOTOR HOUSING	Cast Iron, Class 30
IMPELLER	2 Vane, Open Type Material: Cast Iron, Class 30
SHAFT	Stainless Steel
SEAL PLATE	Cast Iron, Class 30
O-RINGS	Buna-N
HARDWARE	Stainless Steel
PAINT	Powder Coated - Industrial Grade
SEAL	Inboard, Single Mechanical, Oil Filled, Material: Carbon/Ceramic/Buna-N
POWER CORD	15 Ft. Cord, with Plug on 115 Volt & 1/2HP, 230 Volt 1 Phase. Fast Disconnect Design.
MOTOR	Oil Filled, Squirrel Cage Induction Class B Insulation
SINGLE PHASE	Permanent Split Capacitor (PSC), Includes Overload Protection in Motor
THREE PHASE	200-230/460 is Tri-Voltage motor. Requires overload protection to be included in control panel
UPPER BEARING	Single Row, Ball, Oil Lubricated
LOWER BEARING	Single Row, Ball, Oil Lubricated
LEVEL CONTROL	"A" Wide Angle, Mechanical Float, 15Ft. Cord with Piggy-Back Plug, Normally Open (N/O).

**Series: PFSE51, PFSE51A,
PFSE52, PFSE594,
PFSE544**

0.5 HP • 1750 RPM • 60 Hz

**Series: PFSE774, PFSE794,
PFSE744**

0.75 HP • 1750 RPM • 60 Hz

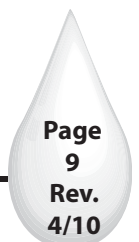
**Series: PFSE1074, PFSE1094,
PFSE1044**

1.0 HP • 1750 RPM • 60 Hz

Optional 3" Discharge Flange available

Description

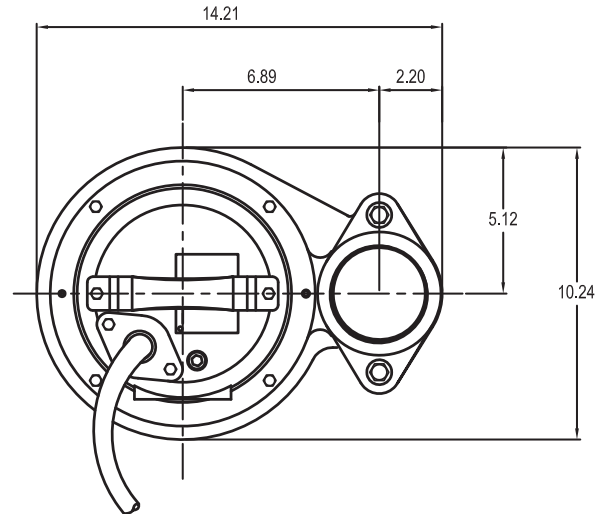
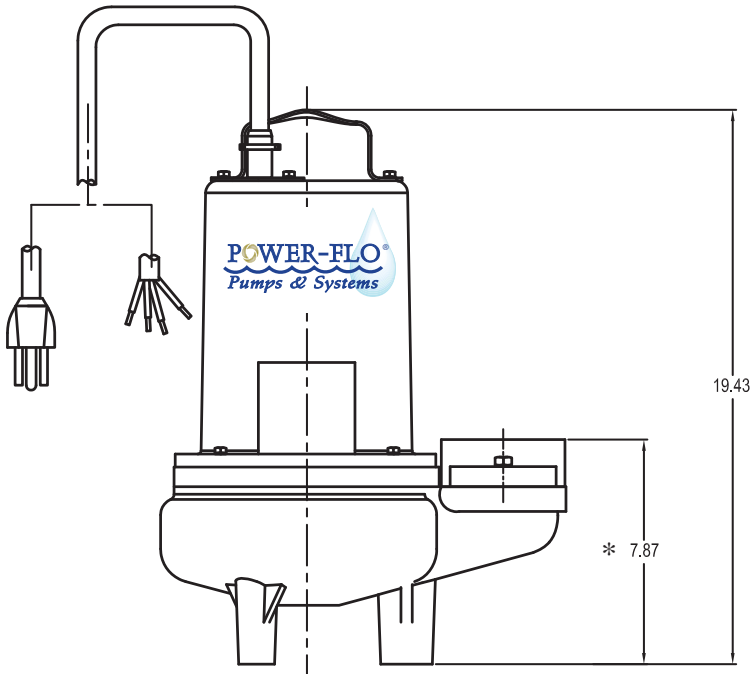
Submersible non-clog sewage pumps are designed for typical raw sewage application.



Series: PFSE



Submersible Sewage Pumps
2" Discharge, 2" Spherical Solids, 1/2, 3/4 & 1HP



(*) 7.87" Discharge dimension the same for 2" and 3".

MODEL	HP	VOLTS	PHASE	HZ	RPM	FULL LOAD AMPS	LOCKED ROTOR AMPS	NEMA START CODE	CORD SIZE	CORD TYPE
PFSE51	0.5	115	1	60	1750	11.5	21.2	E	14/3	SJTOW
PFSE51A	0.5	115	1	60	1750	11.5	21.2	E	14/3	SJTOW
PFSE52	0.5	230	1	60	1750	5.9	14.9	B	14/3	SOW
PFSE594	0.5	200-230	3	60	1750	3.1/3.0	9.7/11.1	K	14/4	SOW
PFSE544	0.5	460	3	60	1750	1.6	5.3	K	14/4	SOW
PFSE774	0.75	200-230	1	60	1750	7.3/7.0	21.4/25.7	J	14/3	SOW
PFSE794	0.75	200-230	3	60	1750	4.7/4.5	13.6/15.3	K	14/4	SOW
PFSE744	0.75	460	3	60	1750	2.2	7.7	K	14/4	SOW
PFSE1074	1.0	200-230	1	60	1750	8.7/8.3	21.4/25.7	G	14/3	SOW
PFSE1094	1.0	200-230	3	60	1750	5.1/4.9	13.7/15.4	G	14/4	SOW
PFSE1044	1.0	460	3	60	1750	2.4	7.7	H	14/4	SOW

Mechanical Switch on "A" cord is 16/2, SJOW, Piggy-Back Plug.



Series: PFSE

**Submersible Sewage Pumps
2" Discharge, 2" Spherical Solids, 1/2, 3/4 & 1HP**

