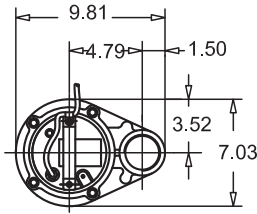


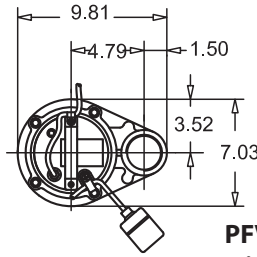
Series: PFV512



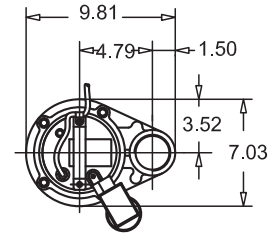
Submersible Sewage Pumps
2" Discharge, 2" Spherical Solids, 1/2HP



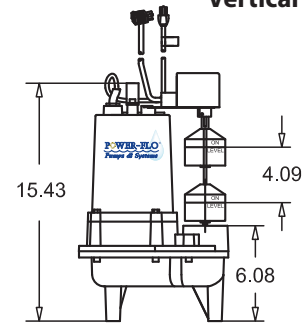
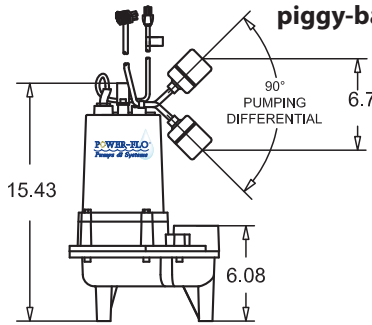
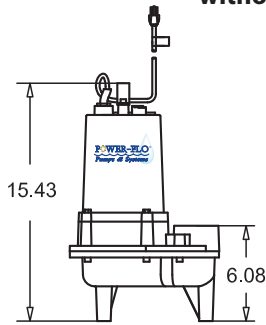
**PFV512
without float**



**PFV512A
wide angle float with
piggy-back plug**



**PFV512 with
Vertical Float**



MODEL	HP	VOLTS	PHASE	HZ	RPM	FULL LOAD AMPS	NEMA START CODE	CORD SIZE	CORD TYPE	Simplex Control	Duplex Control
PFV512	0.5	115	1	60	3450	10.5	H	16/3	SJTW	PF1000	PF2000
PFV512A	0.5	115	1	60	3450	10.5	H	16/3	SJTW	n/a	n/a
PFV512VF	0.5	115	1	60	3450	10.5	H	16/3	SJTW	n/a	n/a

Mechanical Switch on "A" cord is 16/2, SJOW, Piggy-Back Plug.
 Vertical Float on "VF", cord 16/2, SJOW, Piggy-Back Plug

X-30 = 30 Ft. cord.
 Remove Plug for use with Control Panel

