

# P.T.O. driven centrifugal pumps

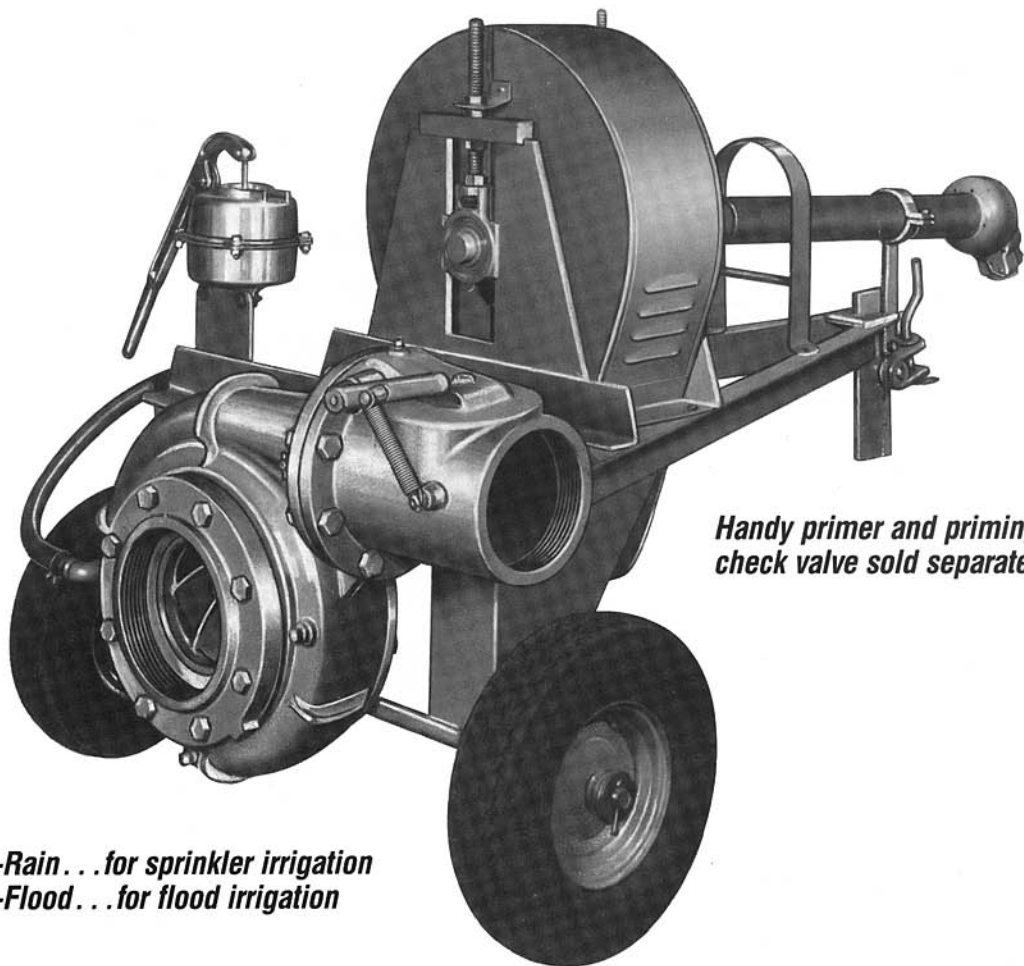
## Trailer mounted

*Both the Tracto-Rain and Tracto-Flood models are complete trailer mounted pumping units. They may quickly be coupled to any conventional 540 RPM tractor power take-off with a 1 $\frac{3}{8}$ -inch, six-tooth spline, or 1000 RPM take-off with a 1 $\frac{3}{8}$ -inch, 21-tooth spline.*

*These P.T.O. units are available with a selection of sheave diameters that provide a range of Vee-belt step-up drive ratios. Pump speed may be varied to meet exact pumping conditions.*

*The Type "B" centrifugal pumps used with these units are the same rugged pumps that have gained a reputation for dependability in thousands of pumping installations.*

*Capacities to 3,250 gallons per minute; Pressures to 195 PSI.*



*Handy primer and priming check valve sold separately.*

**Tracto-Rain . . . for sprinkler irrigation**  
**Tracto-Flood . . . for flood irrigation**

See Centrifugal Accessories for additional components needed to make a complete installation.



**MODEL T1-B2ERHH CCW**

P.T.O. RPM	PUMP Pulley Pitch Dia. (In.)	Pump RPM*	Capacity (Gallons Per Minute)							
			100	150	200	250	300	350	400	
540	3.8	2600	HEAD (FT.)	260	260	255	245	235	210	180
1000	4.2		BHP	15	18	21	24	27	30	32
			HEAD (FT.)							
			BHP							
			HEAD (FT.)							
			BHP							
			HEAD (FT.)							
			BHP							
			HEAD (FT.)							
			BHP							
NET POSITIVE SUCTION (NPSHR) HEAD REQUIRED (FT.)				4	5	7	8	10	14	18

**MODEL T1-B3ZRM CCW**

P.T.O. RPM	PUMP Pulley Pitch Dia. (In.)	Pump RPM*	Capacity (Gallons Per Minute)						
			300	400	500	600	700		
540	3.8	2600	HEAD (FT.)	200	195	185	175	165	
1000	4.2		BHP	24	27	30	33	36	
540	4.2	2370	HEAD (FT.)	160	155	150	140	130	
1000	4.6		BHP	19	21	24	27	28	
540	4.6	2170	HEAD (FT.)	135	130	120	115	100	
1000	5.0		BHP	15	16	19	21	24	
540	5.0	2000	HEAD (FT.)	115	110	100	95	80	
1000	5.4		BHP	12	13	15	18	19	
540	5.4	1830	HEAD (FT.)	95	90	85	75	60	
1000	6.0		BHP	10	11	13	14	15	
NET POSITIVE SUCTION (NPSHR) HEAD REQUIRED (FT.)				6	9	13	18	24	

**MODEL T1-B6ZRM CCW**

P.T.O. RPM	PUMP Pulley Pitch Dia. (In.)	Pump RPM*	Capacity (Gallons Per Minute)								
			800	1000	1200	1400	1600	1800	2000	2200	
540	4.6	2150	HEAD (FT.)	59	58	56	54	50	46	42	36
1000	5.0		BHP	23	24	26	27	28	29	30	31
540	5.0	2000	HEAD (FT.)	51	49	48	45	42	38	32	26
1000	5.4		BHP	19	20	21	22	23	24	25	25
540	5.4	1830	HEAD (FT.)	42	40	38	36	32	28	22	15
1000	6.0		BHP	15	16	17	18	18	19	19	19
540	6.0	1650	HEAD (FT.)	34	32	30	27	24	19	13	—
			BHP	11	12	13	14	14	15	15	—
			HEAD (FT.)								
			BHP								
NET POSITIVE SUCTION (NPSHR) HEAD REQUIRED (FT.)				11	11	12	12	12	13	13	14

**MODEL T2-B3ERBL CCW**

P.T.O. RPM	PUMP Pulley Pitch Dia. (In.)	Pump RPM*	Capacity (Gallons Per Minute)							
			300	350	400	450	500	550	600	
1000	6.8	2940	HEAD (FT.)	300	300	295	290	280	270	255
			BHP	36	38	41	45	48	50	52
1000	7.4	2700	HEAD (FT.)	255	250	245	240	230	220	220
			BHP	28	31	34	37	38	40	42
1000	8.6	2325	HEAD (FT.)	185	180	175	170	155	135	115
			BHP	20	22	23	25	26	27	27
			HEAD (FT.)							
			BHP							
			HEAD (FT.)							
			BHP							
NET POSITIVE SUCTION (NPSHR) HEAD REQUIRED (FT.)				11	12	14	15	16	18	20

**MODEL T2-B3JRMBM CCW**

P.T.O. RPM	PUMP Pulley Pitch Dia. (In.)	Pump RPM*	Capacity (Gallons Per Minute)					
			300	400	500	600	700	
540	5.4	2000	HEAD (FT.)	250	250	245	235	225
1000			BHP	34	38	43	48	53
540	5.6	1950	HEAD (FT.)	235	235	230	225	210
1000			BHP	31	36	39	45	50
540	6.2	1750	HEAD (FT.)	190	190	185	175	160
1000			BHP	24	28	31	35	39
			HEAD (FT.)					
			BHP					
			HEAD (FT.)					
			BHP					
NET POSITIVE SUCTION (NPSHR) HEAD REQUIRED (FT.)				7	8	10	13	17

**MODEL T2-B4JRMBH CCW**

P.T.O. RPM	PUMP Pulley Pitch Dia. (In.)	Pump RPM*	Capacity (Gallons Per Minute)							
			600	700	800	900	1000	1100	1200	
540	5.6	1950	HEAD (FT.)	225	225					
1000			BHP	50	55					
540	6.2	1750	HEAD (FT.)	180	180	175	170	160	150	145
1000			BHP	38	40	45	48	50	53	56
540	6.8	1600	HEAD (FT.)	150	145	140	135	130	120	110
1000			BHP	30	33	36	38	40	43	45
540	7.4	1470	HEAD (FT.)	125	125	120	110	105	95	80
1000			BHP	25	28	30	32	33	34	35
			HEAD (FT.)							
			BHP							
NET POSITIVE SUCTION (NPSHR) HEAD REQUIRED (FT.)				7	7	8	8	9	10	12

**MODEL T2-B6JRMBM CCW**

P.T.O. RPM	PUMP Pulley Pitch Dia. (In.)	Pump RPM*	Capacity (Gallons Per Minute)						
			1100	1200	1300	1400	1500	1600	
540	6.8	1600	HEAD (FT.)	145	140	135	130	120	115
1000			BHP	49	51	53	54	55	56
540	7.4	1470	HEAD (FT.)	120	115	110	100	95	90
1000			BHP	39	41	42	43	44	45
540	8.6	1270	HEAD (FT.)	85	80	70	65	60	50
1000			BHP	27	28	28	29	30	30
			HEAD (FT.)						
			BHP						
			HEAD (FT.)						
			BHP						
NET POSITIVE SUCTION (NPSHR) HEAD REQUIRED (FT.)				10	11	12	13	14	15

**MODEL T2-B8GRMBM CCW**

P.T.O. RPM	PUMP Pulley Pitch Dia. (In.)	Pump RPM*	Capacity (Gallons Per Minute)							
			1500	1750	2000	2250	2500	2750	3000	
540	8.6	1270	HEAD (FT.)	67	65	62	60	55	45	35
1000			BHP	37	39	41	43	45	43	40
			HEAD (FT.)							
			BHP							
			HEAD (FT.)							
			BHP							
			HEAD (FT.)							
			BHP							
NET POSITIVE SUCTION (NPSHR) HEAD REQUIRED (FT.)				15	16	16	17	18	18	19

\* Pump speeds are limited to maximum RPM listed on performance charts.

**MODEL T2A-B3ERBL CCW**

P.T.O. RPM	PUMP Pulley Pitch Dia. (In.)	Pump RPM*	Capacity (Gallons Per Minute)							
			300	350	400	450	500	550	600	
1000	5.125	3570	HEAD (FT.)	450	450	445	440	430	425	
			BHP	59	63	67	72	76	80	
1000	5.6	3270	HEAD (FT.)	375	375	370	365	355	345	335
			BHP	47	50	54	58	61	65	68
1000	6.0	3050	HEAD (FT.)	325	320	320	315	305	295	285
			BHP	39	42	46	49	52	53	58
			HEAD (FT.)							
			BHP							
			HEAD (FT.)							
			BHP							
NET POSITIVE SUCTION (NPSHR) HEAD REQUIRED (FT.)			11	12	14	15	16	18	20	

**MODEL T2A-B4JRMBH CCW**

P.T.O. RPM	PUMP Pulley Pitch Dia. (In.)	Pump RPM*	Capacity (Gallons Per Minute)								
			600	700	800	900	1000	1100	1200	1300	
540	4.94	2000	HEAD (FT.)	240	235	230	230	220	215	205	195
1000	5.4		BHP	52	56	60	65	70	74	77	80
			HEAD (FT.)								
			BHP								
			HEAD (FT.)								
			BHP								
			HEAD (FT.)								
			BHP								
			HEAD (FT.)								
			BHP								
NET POSITIVE SUCTION (NPSHR) HEAD REQUIRED (FT.)			7	8	8	9	10	11	13	15	

**MODEL T2A-B6JRMBM CCW**

P.T.O. RPM	PUMP Pulley Pitch Dia. (In.)	Pump RPM*	Capacity (Gallons Per Minute)				
			1200	1400	1600	1800	
540	5.4	1830	HEAD (FT.)	190	175	165	150
1000	6.0		BHP	70	74	79	83
540	5.8	1700	HEAD (FT.)	160	150	135	120
1000	6.4		BHP	60	63	66	68
			HEAD (FT.)				
			BHP				
			HEAD (FT.)				
			BHP				
			HEAD (FT.)				
			BHP				
NET POSITIVE SUCTION (NPSHR) HEAD REQUIRED (FT.)			11	12	15	17	

**MODEL T2A-B8GRMBM CCW**

P.T.O. RPM	PUMP Pulley Pitch Dia. (In.)	Pump RPM*	Capacity (Gallons Per Minute)								
			1500	1750	2000	2250	2500	2750	3000	3250	
540	6.2	1600	HEAD (FT.)	110	109	107	105	100			
1000	6.8		BHP	67	72	76	78	82			
540	6.8	1475	HEAD (FT.)	93	92	90	87	83	77	70	60
1000	7.4		BHP	54	58	61	64	67	68	69	70
			HEAD (FT.)								
			BHP								
			HEAD (FT.)								
			BHP								
			HEAD (FT.)								
			BHP								
NET POSITIVE SUCTION (NPSHR) HEAD REQUIRED (FT.)			15	16	16	17	18	18	19	20	

**MODEL T2A-B4ERBM CCW**

P.T.O. RPM	PUMP Pulley Pitch Dia. (In.)	Pump RPM*	Capacity (Gallons Per Minute)						
			600	700	800	900	1000	1100	
1000	6.4	2860	HEAD (FT.)	285	280	270	255	235	205
			BHP	55	60	66	70	75	76
1000	6.8	2690	HEAD (FT.)	250	245	230	215	190	155
			BHP	48	52	57	60	62	62
			HEAD (FT.)						
			BHP						
			HEAD (FT.)						
			BHP						
			HEAD (FT.)						
			BHP						
NET POSITIVE SUCTION (NPSHR) HEAD REQUIRED (FT.)			11	12	14	16	18	21	

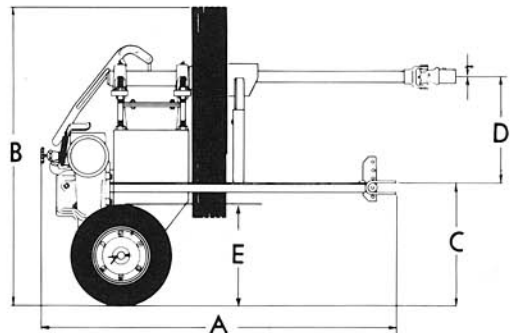
**MODEL T2A-B4EYRMBM CCW**

P.T.O. RPM	PUMP Pulley Pitch Dia. (In.)	Pump RPM*	Capacity (Gallons Per Minute)					
			400	500	600	700	800	
540	5.4	1830	HEAD (FT.)	365	360	350		
			BHP	67	74	80		
540	5.8	1700	HEAD (FT.)	310	305	295	285	270
			BHP	56	62	68	76	80
			HEAD (FT.)					
			BHP					
			HEAD (FT.)					
			BHP					
			HEAD (FT.)					
			BHP					
NET POSITIVE SUCTION (NPSHR) HEAD REQUIRED (FT.)			8	9	10	12	15	

**OUTLINE DIMENSIONS (IN.)**

MODEL		A	B	C	D	E
T1	B2ERHH	56	37	14	13	14
	B3ZRM	56	37	14	13	14
	B6ZRM	57	37	14	13	14
T2	B3ERBL	65	43	22	14	16
	B3JRMBM	71	43	22	14	16
	B4JRMBH	71	43	22	14	16
	B6JRMBM	72	43	22	14	16
T2A	B8GRMBM	68	43	22	14	16
	B3ERBL	65	43	22	14	16
	B4ERBM	65	43	22	14	16
	B4JRMBH	65	43	22	14	16
	B4EYRMBM	65	43	22	14	16
	B6JRMBM	66	43	22	14	16
	B8GRMBM	68	43	22	14	16

Maximum overall width: 40"



\*Pump speeds are limited to maximum RPM listed on performance charts.

NOTE: "Transmission components on trailers are limited to the following approximate horsepowers: T1 to 35 BHP, T2 to 55 BHP, T2A to 80 BHP."  
"Failure to stay within these limitations will void the warranty."

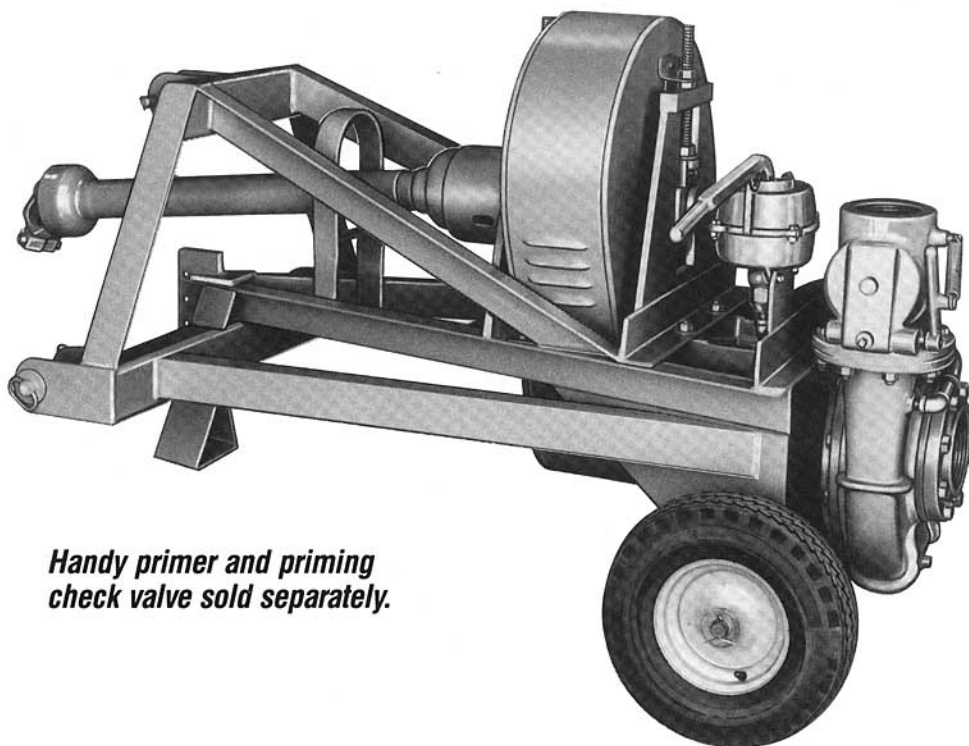
# Tracto-Rain three-point hitch – Models T-1, T-2, or T-2A

*This Three-Point Hitch frame with pins and locks fits on any of the TRACTO-RAIN units. It is welded to the trailer frame and makes the unit a "Three-Point Hitch" for easier attachment to the tractor for better transport and better shaft alignment to the P.T.O. The tractor could also straddle a ditch holding the unit up and drag a suction pipe and sprinkle with a big gun mounted on the discharge of the pump.*

*Two sizes are available — one for the T-1 and one for the T-2 and T-2A. The T-1 fits Category I and the T-2 and T-2A fit Category II quick-attaching couplers. Handy primer and priming check valve sold separately.*

## **ORDERING INFORMATION**

Fits Trailer	Category Hitch	Lower Socket Inside Span	Upper Hook Vertical Spacing	Ordering Number
T-1	I	27"	20"	B07725
T-2, T-2A	II	31"	19"	B07693



*Handy primer and priming  
check valve sold separately.*