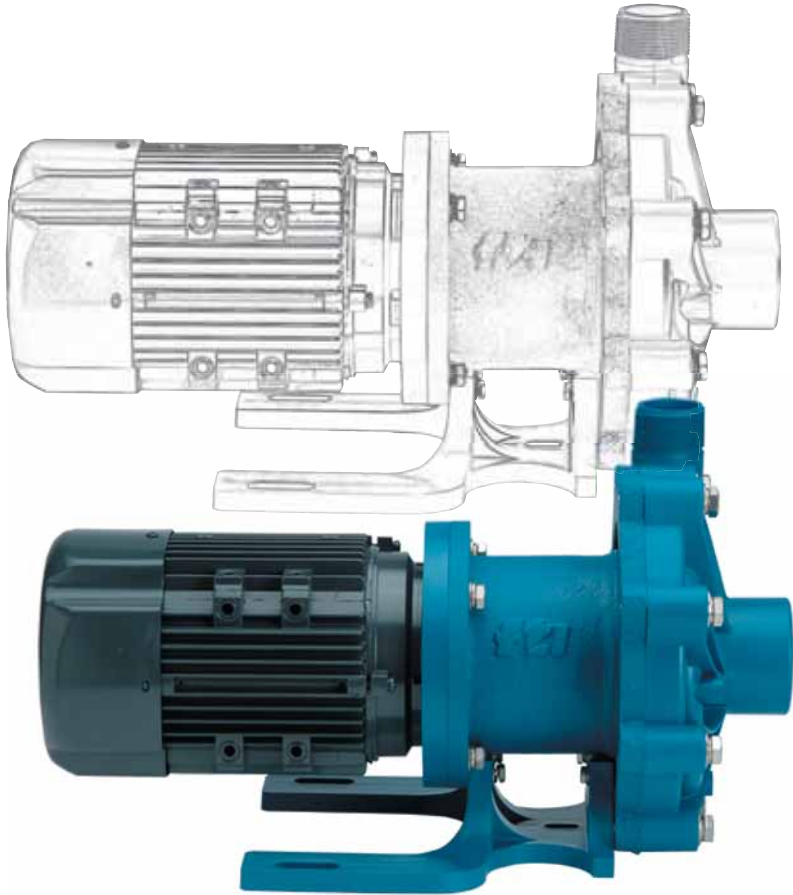


DB SERIES OUTLINE DIMENSIONS

Literature ID No. FT06-930A
Revision 1



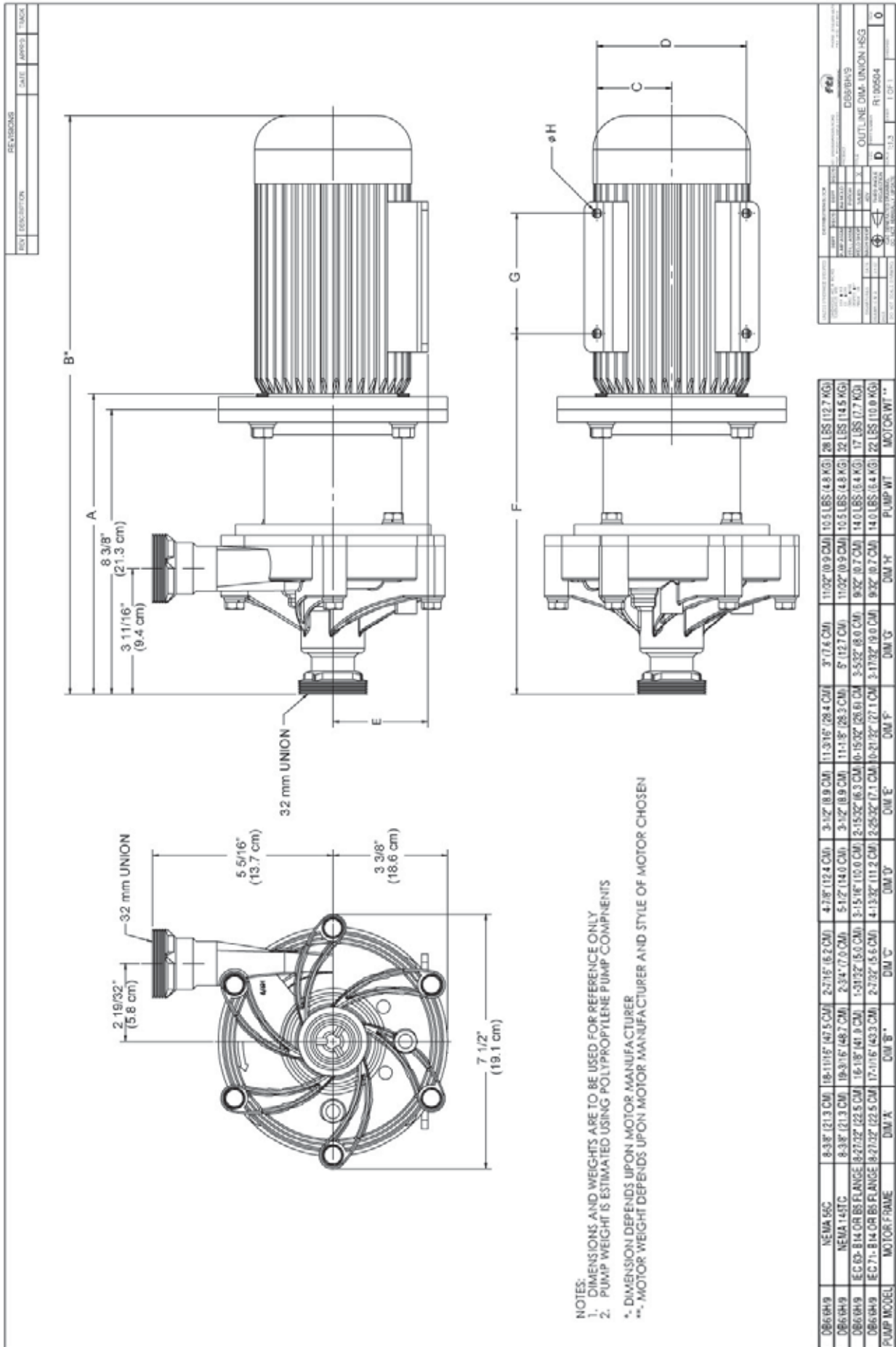
FINISH THOMPSON INC.

921 Greengarden Road • Erie, PA 16501-1591 U.S.A.
Ph 814-455-4478 • Fax 814-455-8518
Email fti@finishthompson.com • www.finishthompson.com

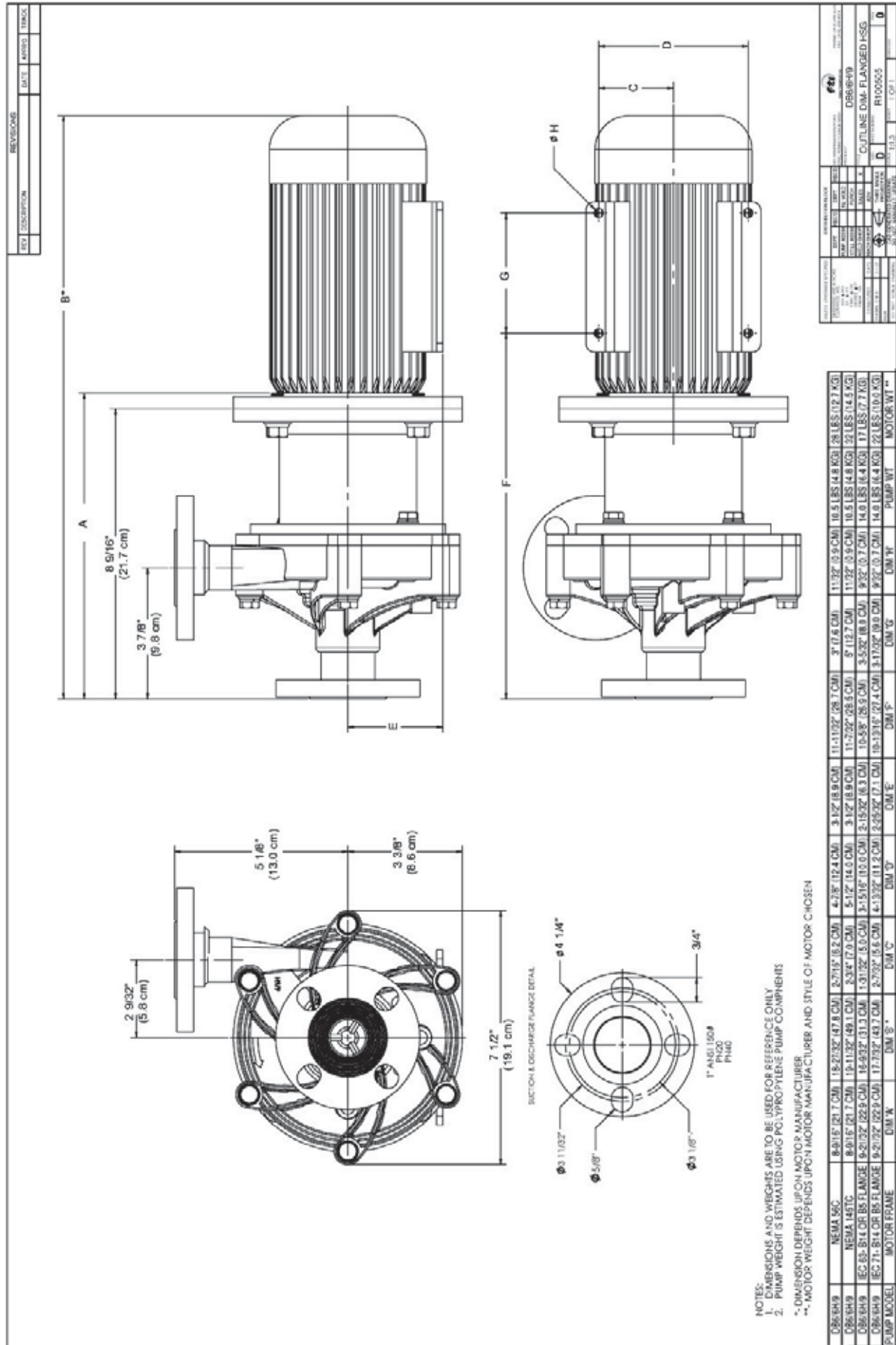
TABLE OF CONTENTS

Drawing	Page No.
DB6/6H/9 Outline Dimensions	
Threaded.....	3
Union.....	4
Flanged	5
DB8 Outline Dimensions	
Threaded.....	6
Union.....	7
Flanged	8
DB7/10 Outline Dimensions	
Threaded.....	9
Union.....	10
Flanged	11
DB11/15 Outline Dimensions	
Threaded.....	12
Union.....	13
Flanged	14
DB11/15 Outline Dimensions 80/90 FR B5	
Threaded.....	15
Union.....	16
Flanged	17
DB11/15 Outline Dimensions 100/112 FR B5	
Threaded.....	18
Union.....	19
Flanged	20

DB6/6H/9 Outline Dimensions - Union Housing (R100504)



DB6/6H/9 Outline Dimensions - Flanged Housing (R100505)



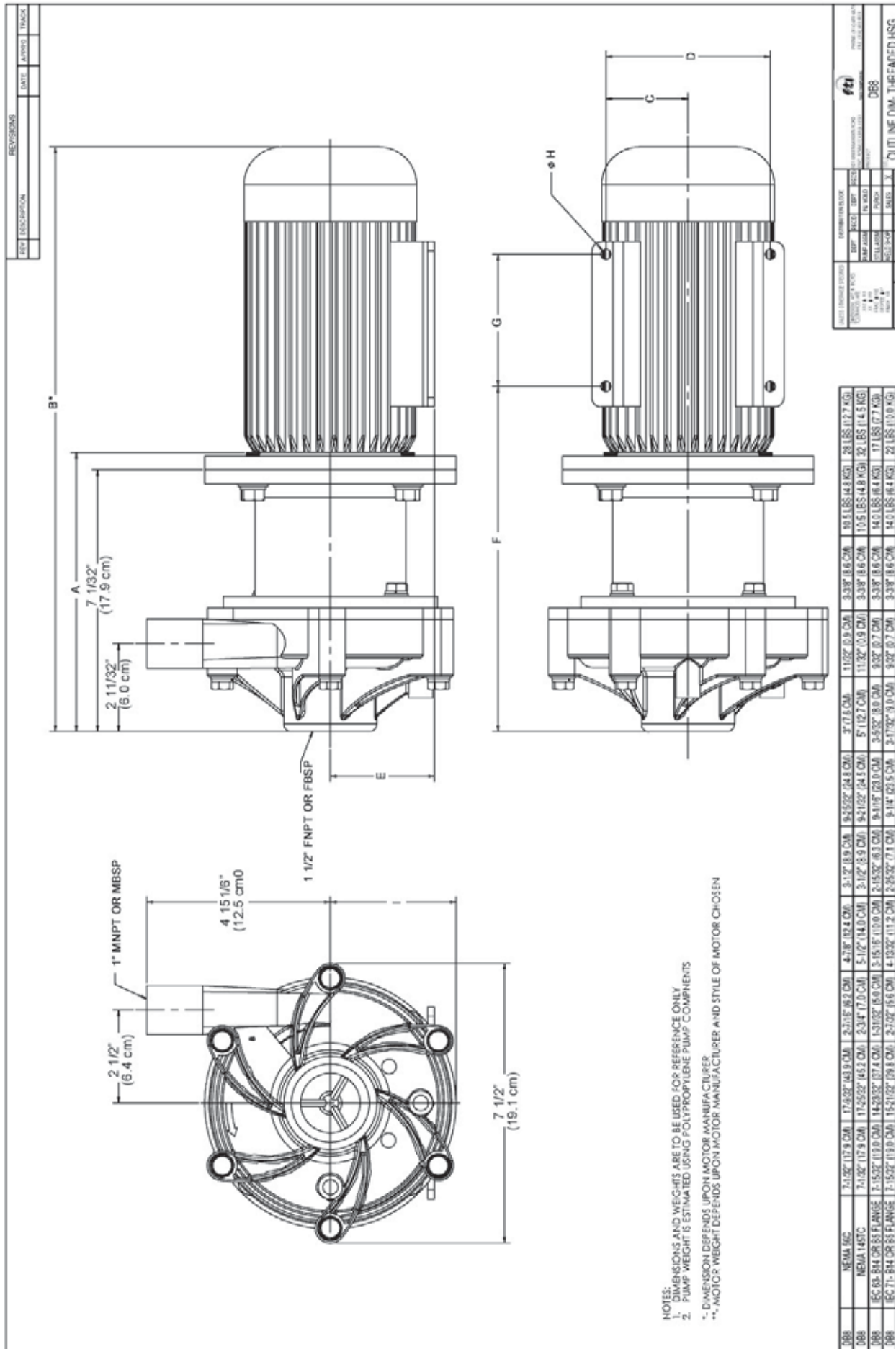
NOTES:
 1. DIMENSIONS AND WEIGHTS ARE TO BE USED FOR REFERENCE ONLY.
 2. PUMP WEIGHT IS ESTIMATED USING POLYPROPYLENE PUMP COMPONENTS.
 ** MOTOR WEIGHT DEPENDS UPON MOTOR MANUFACTURER AND STYLE OF MOTOR CHOSEN.

REV	DESCRIPTION	DATE	BY	CHKD	TRKCD

REV	DESCRIPTION	DATE	BY	CHKD	TRKCD

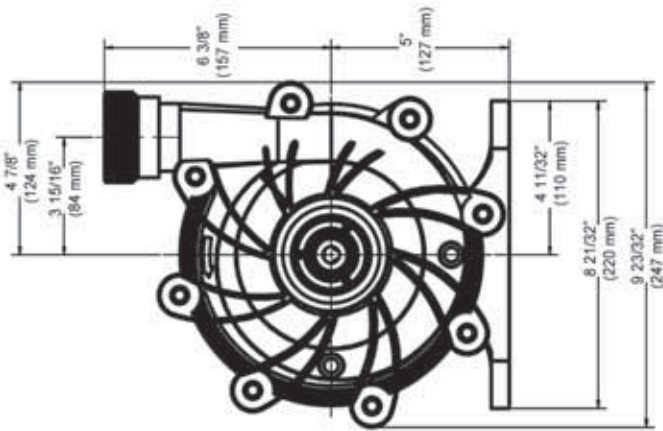
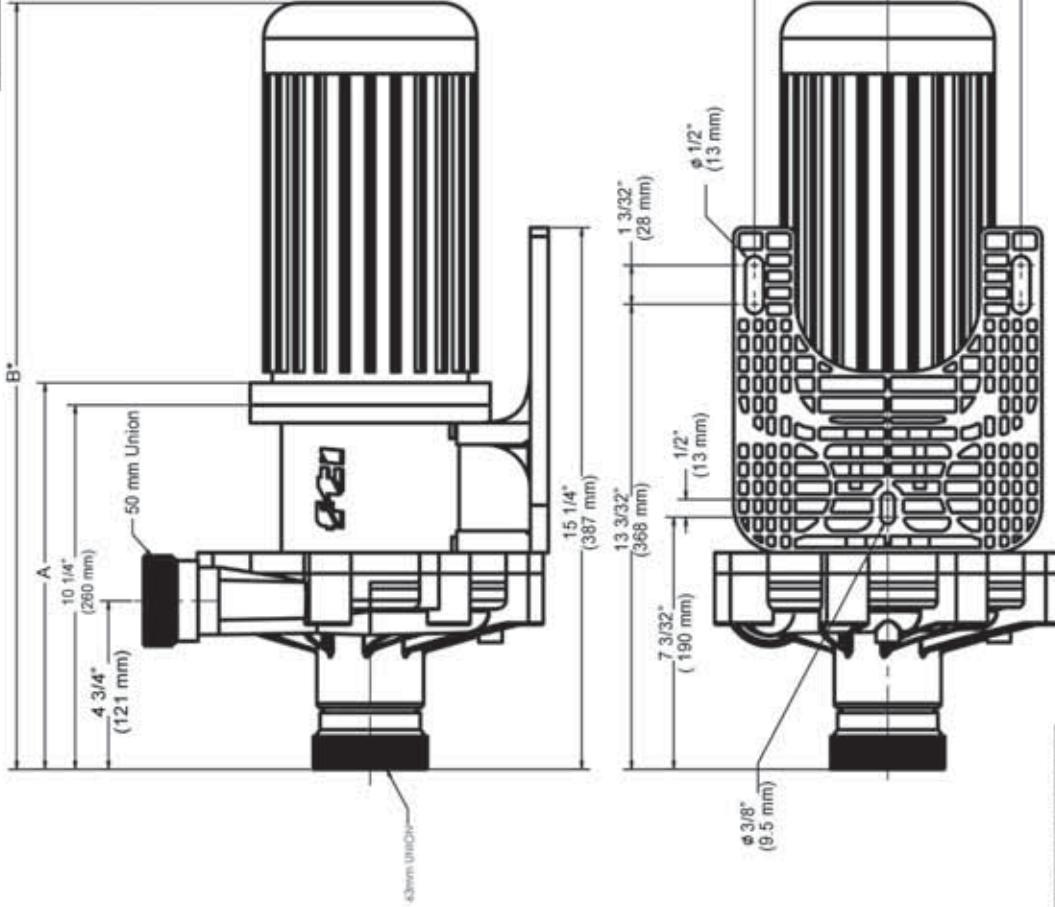
REV	DESCRIPTION	DATE	BY	CHKD	TRKCD

DB8 Outline Dimensions - Threaded Housing (R100506)



DB11/15 Outline Dimensions - Union Housing - R100424

REV	DESCRIPTION	DATE	DRAWN	CHECKED



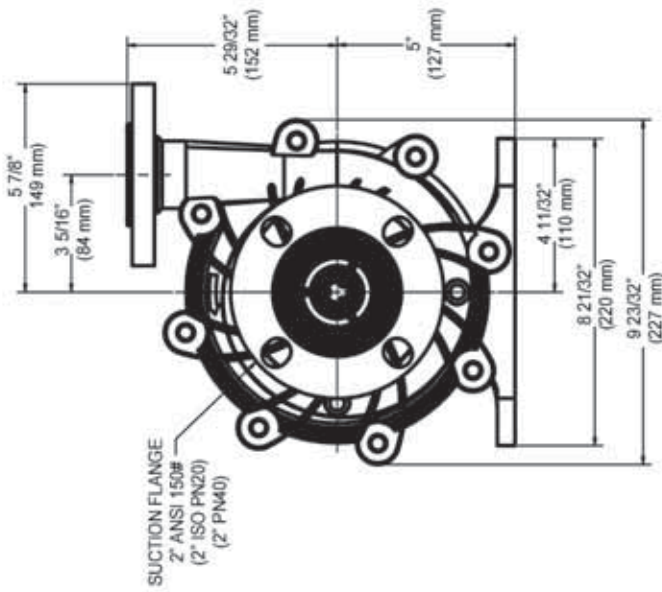
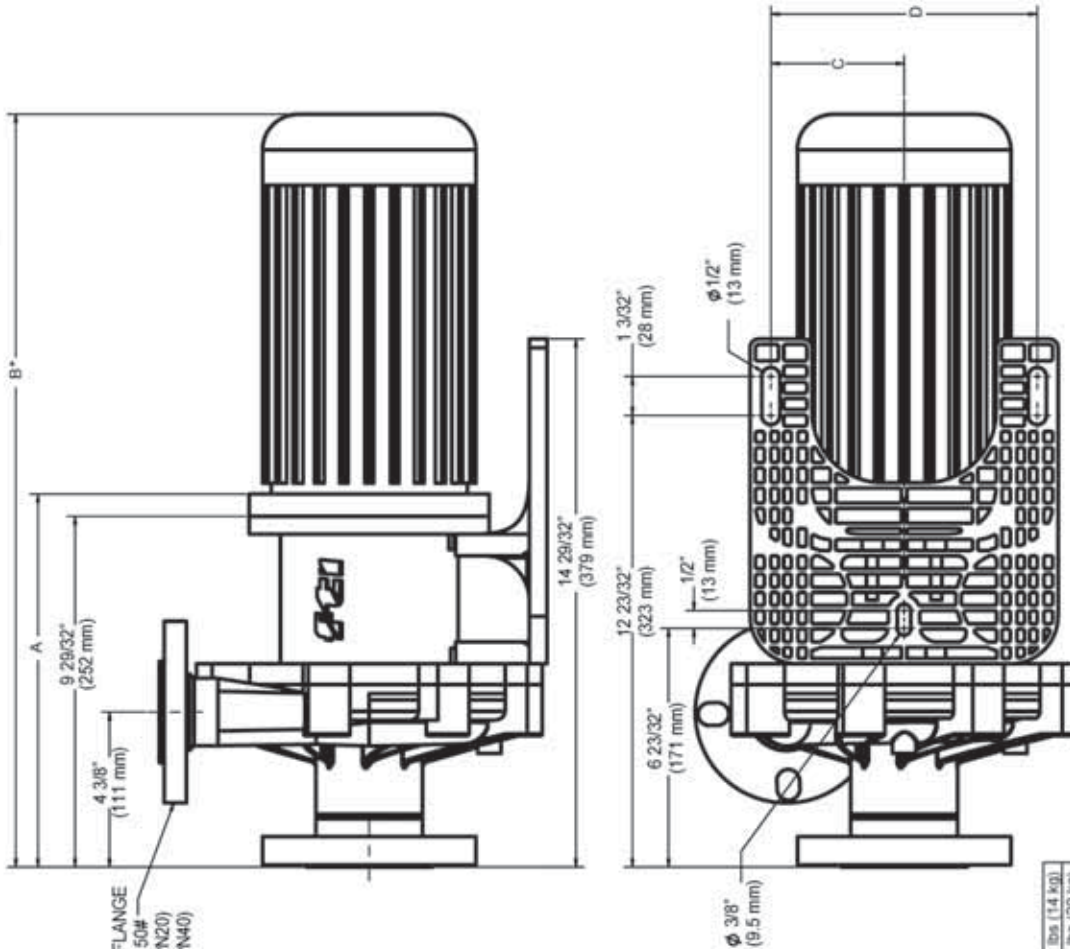
NOTE:
 1. ALL WEIGHTS ARE ESTIMATED AND FOR REFERENCE ONLY
 2. PUMP WEIGHT IS ESTIMATED USING POLYPRO PUMP COMPONENTS
 * DIMENSION DEPENDS UPON MOTOR MANUFACTURER
 ** MOTOR WEIGHT DEPENDS UPON MOTOR MANUFACTURER AND STYLE OF MOTOR USED

PUMP MODEL	MOTOR FRAME	DIM "A"	DIM "B"	DIM "C"	DIM "D"	PUMP WT	MOTOR WT **
DB11/15	NEMA 56C FR.	10 1/4" (260mm)	22 1/4" (565mm)	3-3/4"	7-1/2"	28 lbs (12.7 kg)	31 lbs (14 kg)
DB11/15	NEMA 145 FR.	10 1/4" (260mm)	20 5/8" (524mm)	3-3/4"	7-1/2"	28 lbs (12.7 kg)	45 lbs (20 kg)
DB11/15	NEMA 184FR.	11 1/8" (282mm)	23 20/32" (607mm)	3-3/4"	7-1/2"	28 lbs (12.7 kg)	84 lbs (38 kg)
DB11/15	IEC 80 FR.	11 1/8" (282mm)	21 13/32" (544mm)	3-3/4"	7-1/2"	28 lbs (12.7 kg)	35 lbs (16 kg)
DB11/15	IEC 90 FR.	10 7/8" (276mm)	21 19/32" (548mm)	3-3/4"	7-1/2"	28 lbs (12.7 kg)	50 lbs (23 kg)
DB11/15	IEC 100 FR.	10 15/16" (278mm)	23 3/32" (590mm)	3-5/32"	6-10/32"	28 lbs (12.7 kg)	70 lbs (32 kg)
DB11/15	IEC 112 FR.	10 15/16" (278mm)	23 19/32" (599mm)	3-3/4"	7-1/2"	28 lbs (12.7 kg)	88 lbs (40 kg)

REV	DESCRIPTION	DATE	DRAWN	CHECKED

DB11/15 Outline Dimensions - Flanged Housing - R100423

REV	DESCRIPTION	DATE	APPROVED	THROU



DISCHARGE FLANGE
1.5" ISO PN20
(1.5" ISO PN40)

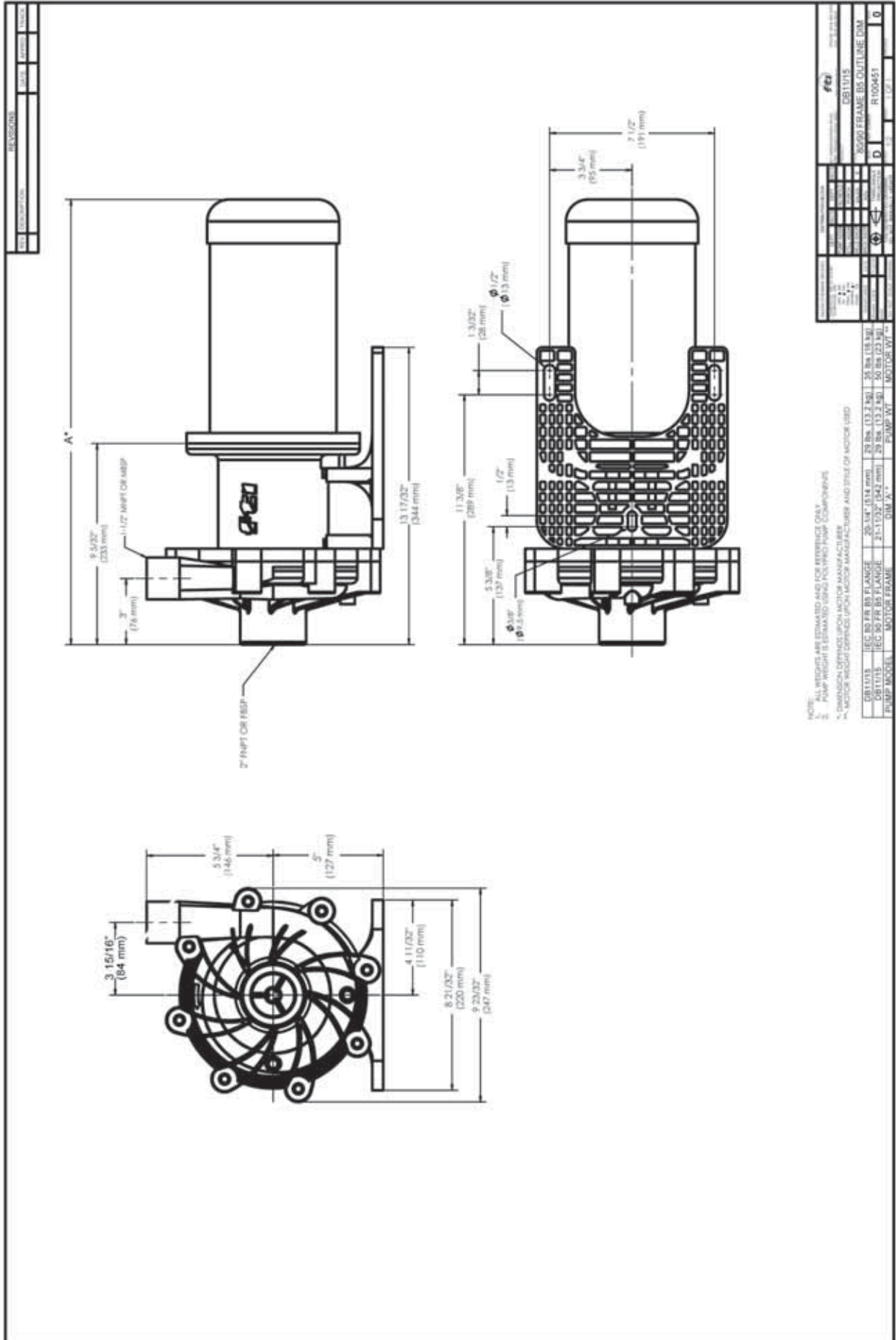
SUCTION FLANGE
2" ANSI 150#
(2" ISO PN20)
(2" PN40)

NOTE:
1. ALL WEIGHTS ARE ESTIMATED AND FOR REFERENCE ONLY
2. PUMP WEIGHT IS ESTIMATE USING POLYPRO PUMP COMPONENTS
*, DIMENSION DEPENDS UPON MOTOR MANUFACTURER
**, MOTOR WEIGHT DEPENDS UPON MOTOR MANUFACTURER AND STYLE OF MOTOR USED

PUMP MODEL	MOTOR FRAME	DIM 'A'	DIM 'B'	DIM 'C'	DIM 'D'	PUMP WT	MOTOR WT **
DB11/15	NEMA 56C FR	9.29/32" (252mm)	21.29/32" (556mm)	3-3/4"	7-1/2"	30 lbs (13.6 kg)	31 lbs (14 kg)
DB11/15	NEMA 145 FR	9.29/32" (252mm)	20.9/32" (515mm)	3-3/4"	7-1/2"	30 lbs (13.6 kg)	45 lbs (20 kg)
DB11/15	NEMA 184FR	10.29/32" (274 mm)	23.18/32" (598mm)	3-3/4"	7-1/2"	30 lbs (13.6 kg)	84 lbs (38 kg)
DB11/15	IEC 80 FR	10.11/32" (267mm)	21.11/16" (535mm)	3-3/4"	7-1/2"	30 lbs (13.6 kg)	35 lbs (16 kg)
DB11/15	IEC 90 FR	10.11/32" (267mm)	21.1/4" (540mm)	3-3/4"	7-1/2"	30 lbs (13.6 kg)	50 lbs (23 kg)
DB11/15	IEC 100 FR	10.19/32" (269mm)	22.3/4" (566mm)	3-5/32"	6-10/32"	30 lbs (13.6 kg)	70 lbs (32 kg)
DB11/15	IEC 112 FR	10.19/32" (269mm)	23.1/4" (591mm)	3-3/4"	7-1/2"	30 lbs (13.6 kg)	88 lbs (40 kg)

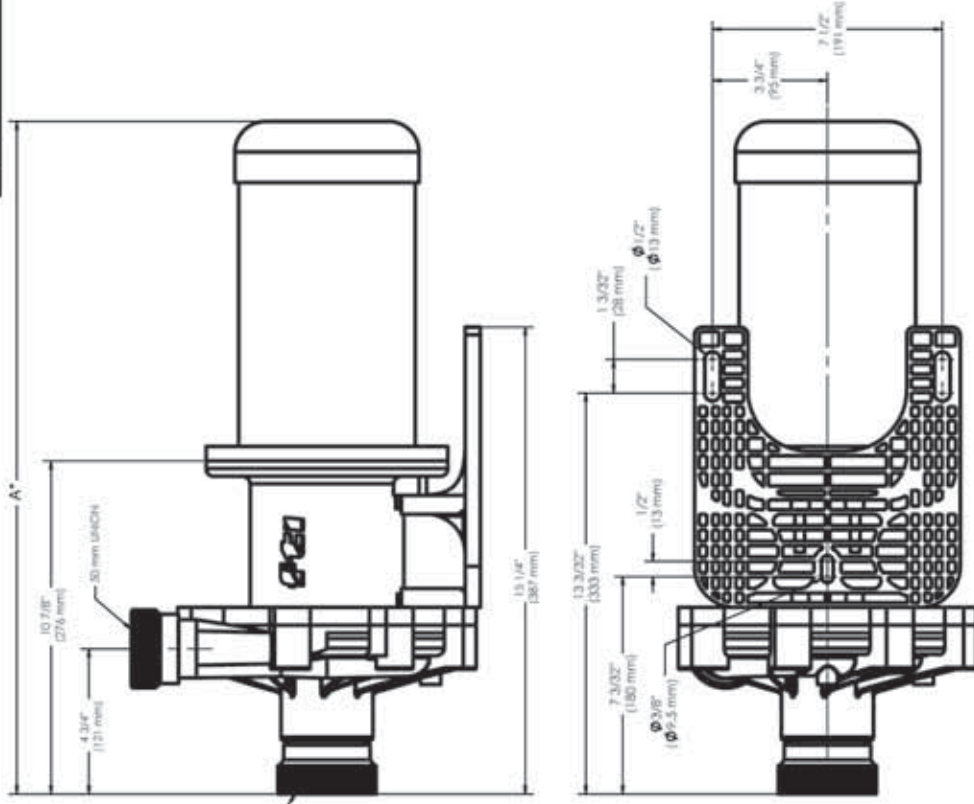
REV	DESCRIPTION	DATE	APPROVED	THROU

DB11/15 Outline Dimensions - 80-90 FR B5 Threaded- R100451



DB11/15 Outline Dimensions - 80-90 FR B5 Union - R100452

REV.	DESCRIPTION	DATE	DESIGNED	DRAWN



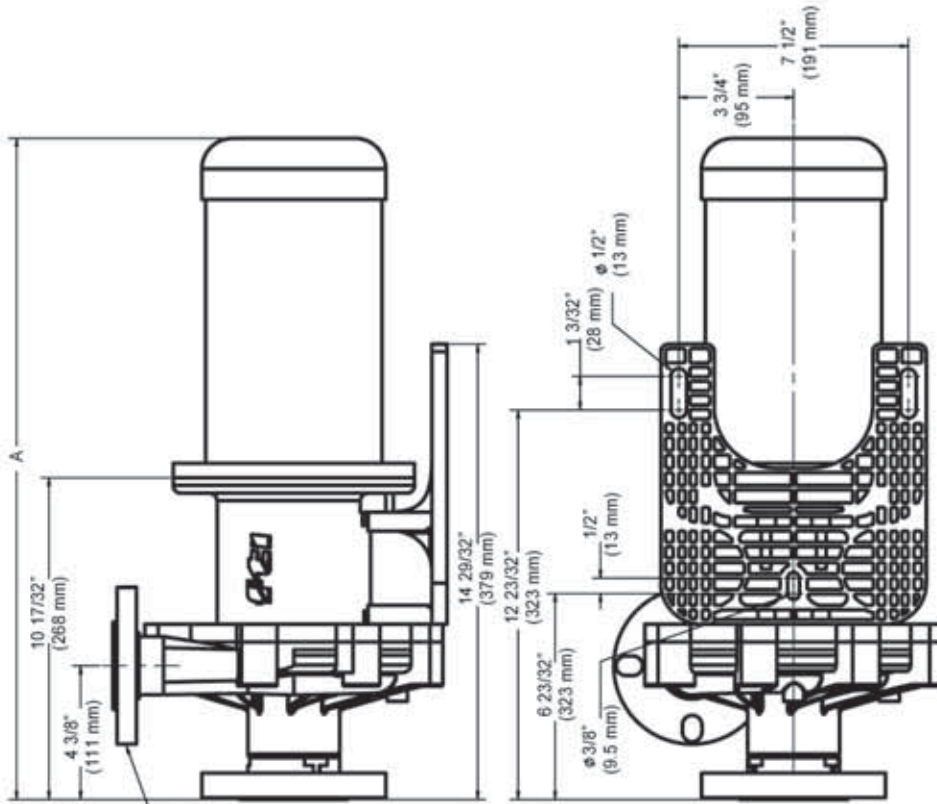
NOTE:
 1. ALL WEIGHTS ARE ESTIMATED AND FOR REFERENCE ONLY.
 2. PUMP WEIGHT IS ESTIMATED UPON POLYPROP PUMP COMPONENTS.
 * DIMENSION DEPENDS UPON MOTOR MANUFACTURER.
 ** MOTOR WEIGHT DEPENDS UPON MOTOR MANUFACTURER AND STYLE OF MOTOR USED.

DB11/15	DB11/15
80-90 FR B5 OUTLINE DIM IN UNION	R100452
D	0
1/2	1/2

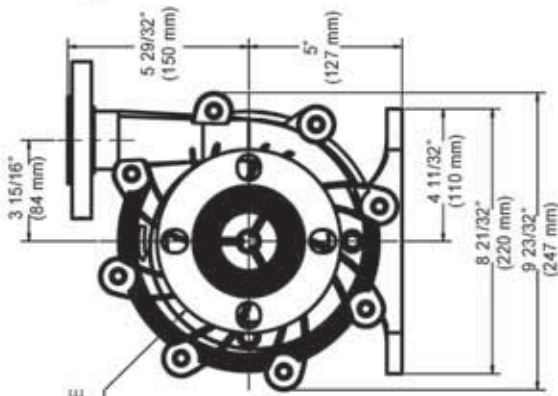
DB11/15	IEC 80 FR B5 FLANGE	27" (689 mm)	29 lbs (13.2 kg)	35 lbs (16 kg)
DB11/15	IEC 90 FR B5 FLANGE	25-23/32" (657 mm)	29 lbs (13.2 kg)	50 lbs (23 kg)
PUMP MODEL	MOTOR FRAME	DIM A**	PUMP WT.	MOTOR WT.

DB11/15 Outline Dimensions - 80-90 FR B5 Flanged - R100453

REV	DESCRIPTION	DATE	BY	CHECK



DISCHARGE FLANGE
1.5" ISO 150#
(1.5" ISO PN20)
(1.5" ISO PN40)



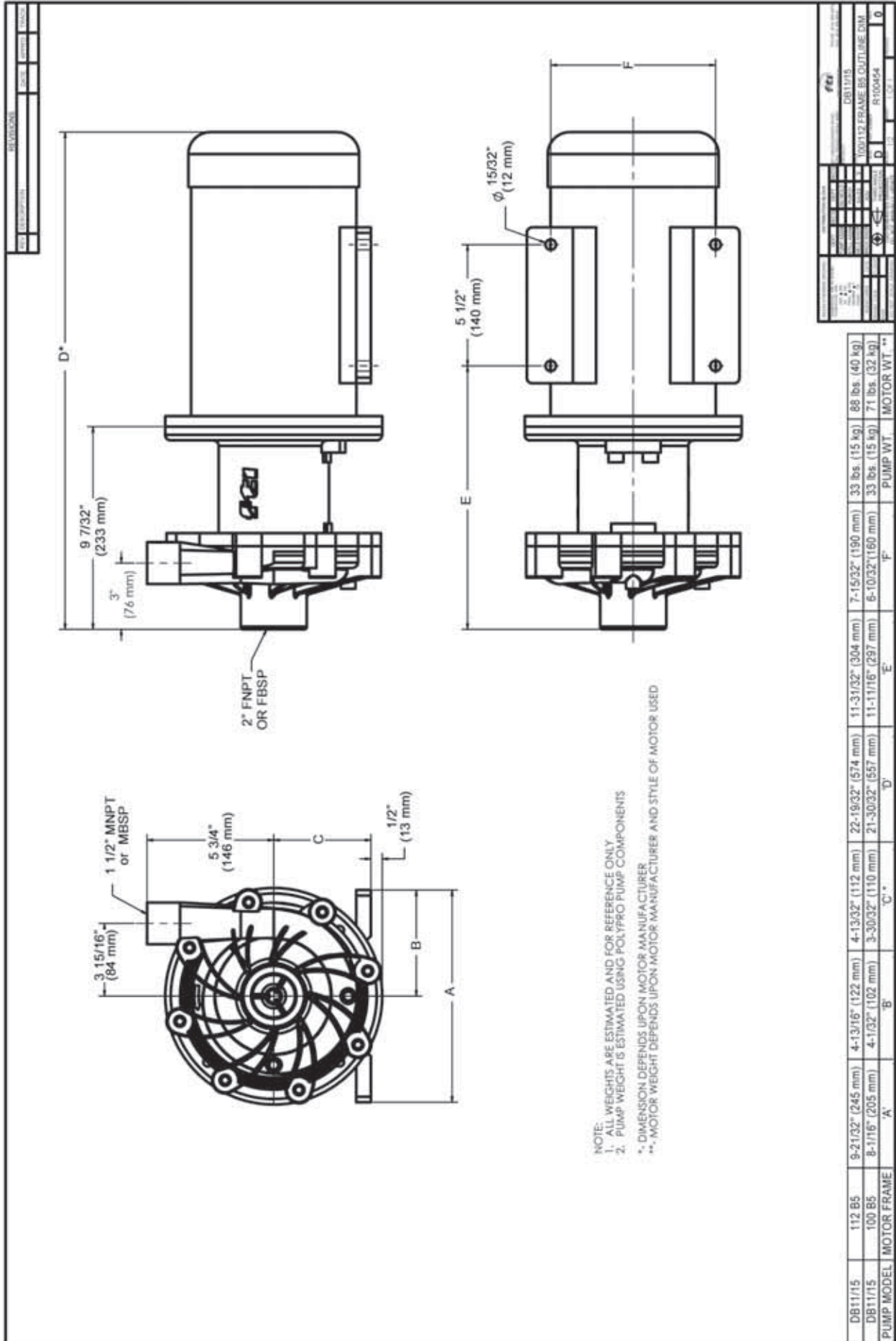
SUCTION FLANGE
2" ANSI 150#
(2" ISO PN20)
(2" ISO PN40)

NOTE:
1. ALL DIMENSIONS ESTIMATED AND FOR REFERENCE ONLY.
2. PUMP WEIGHT IS ESTIMATED USING POLYURETHANE COMPONENTS.
3. DIMENSIONS DIFFER FROM MOTOR MANUFACTURER'S DIMENSIONS.
4. MOTOR WEIGHT DIFFERS UPON MOTOR MANUFACTURER AND STYLE OF MOTOR USED.

REV		DESCRIPTION		DATE	BY	CHECK
FEI						
DB11/15						
80-90 FR B5 OUTLINE DIMENSIONS						
R100453						
D						
1.0						

DB11/15	EC 80 FR B5 FLANGE	21-5/8" (549 mm)	31 lbs. (14.1 kg)	35 lbs (16 kg)
DB11/15	EC 90 FR B5 FLANGE	22-25/32" (579 mm)	31 lbs. (14.1 kg)	50 lbs (23 kg)
PUMP MODEL	MOTOR FRAME	DNM "A"	PUMP WT	MOTOR WT**

DB11/15 Outline Dimensions - 100-112 Fr B5 - Threaded - R100454

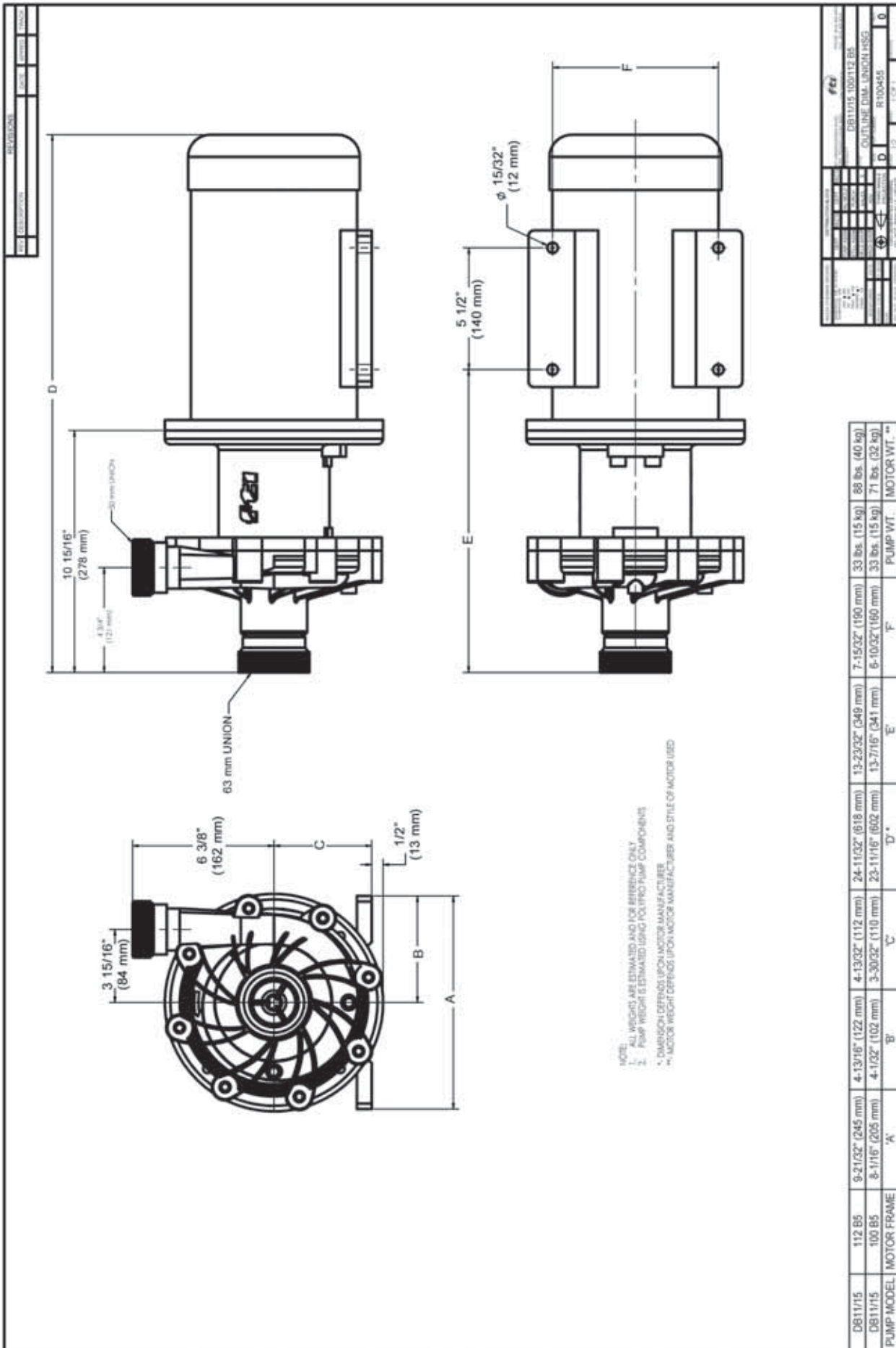


NOTE:
 1. ALL WEIGHTS ARE ESTIMATED AND FOR REFERENCE ONLY
 2. PUMP WEIGHT IS ESTIMATED USING POLYPRO PUMP COMPONENTS
 *- DIMENSION DEPENDS UPON MOTOR MANUFACTURER
 **- MOTOR WEIGHT DEPENDS UPON MOTOR MANUFACTURER AND STYLE OF MOTOR USED

REV		DATE	BY	CHKD	APP'D
REVISIONS					
DB11/15 100-112 FRAME B5 OUTLINE DIM R100454 D 0					

DB11/15	112 B5	9-21/32" (245 mm)	4-13/16" (122 mm)	4-13/32" (112 mm)	22-19/32" (574 mm)	11-31/32" (304 mm)	7-15/32" (190 mm)	33 lbs (15 kg)	88 lbs (40 kg)
DB11/15	100 B5	8-1/16" (205 mm)	4-1/32" (102 mm)	3-30/32" (110 mm)	21-30/32" (557 mm)	11-11/16" (287 mm)	6-10/32" (160 mm)	33 lbs (15 kg)	71 lbs (32 kg)
PUMP MODEL	MOTOR FRAME	"A"	"B"	"C"	"D"	"E"	"F"	PUMP WT. **	MOTOR WT. **

DB11/15 Outline Dimensions - 100-112 FR B5 - Union - R100455



NOTE:
 1. ALL WEIGHTS ARE ESTIMATED AND FOR REFERENCE ONLY.
 2. PUMP WEIGHT IS ESTIMATED UPON POLYPRO PUMP COMPONENTS.
 * DIMENSION DEPENDS UPON MOTOR MANUFACTURER.
 ** MOTOR WEIGHT DEPENDS UPON MOTOR MANUFACTURER AND STYLE OF MOTOR USED.

DB11/15	112 B5	9-21/32" (245 mm)	4-13/16" (122 mm)	4-13/32" (112 mm)	24-11/32" (618 mm)	13-23/32" (349 mm)	7-15/32" (190 mm)	33 lbs. (15 kg)	88 lbs. (40 kg)
DB11/15	100 B5	8-1/16" (205 mm) <td>4-1/32" (102 mm) <td>3-30/32" (110 mm) <th>23-11/16" (602 mm)</th> <th>13-7/16" (341 mm)</th> <th>6-10/32" (160 mm)</th> <th>33 lbs. (15 kg)</th> <th>71 lbs. (32 kg)</th> </td></td>	4-1/32" (102 mm) <td>3-30/32" (110 mm) <th>23-11/16" (602 mm)</th> <th>13-7/16" (341 mm)</th> <th>6-10/32" (160 mm)</th> <th>33 lbs. (15 kg)</th> <th>71 lbs. (32 kg)</th> </td>	3-30/32" (110 mm) <th>23-11/16" (602 mm)</th> <th>13-7/16" (341 mm)</th> <th>6-10/32" (160 mm)</th> <th>33 lbs. (15 kg)</th> <th>71 lbs. (32 kg)</th>	23-11/16" (602 mm)	13-7/16" (341 mm)	6-10/32" (160 mm)	33 lbs. (15 kg)	71 lbs. (32 kg)
PUMP MODEL	MOTOR FRAME	"A"	"B"	"C"	"D"	"E"	"F"	PUMP WT.	MOTOR WT. **

REV. NO.		DATE		BY		CHKD.	
1		10/12/15		J. B. B.		J. B. B.	
DESCRIPTION		REV. NO.		DATE		BY	
DB11/15 OUTLINE DIM. UNION HSS		1		10/12/15		J. B. B.	
PUMP MODEL		MOTOR FRAME		PUMP WT.		MOTOR WT. **	
DB11/15		100 B5		33 lbs. (15 kg)		71 lbs. (32 kg)	
R100455		D		1/3		1/3	

DB11/15 Outline Dimensions - 100-112 FR B5 - R100456

