

Corrosion Resistant Series Noryl Centrifugal Pump

Model Number - C M N P 3 X
1 2 3 4 5 6 7 8



Shown with Optional Motor.

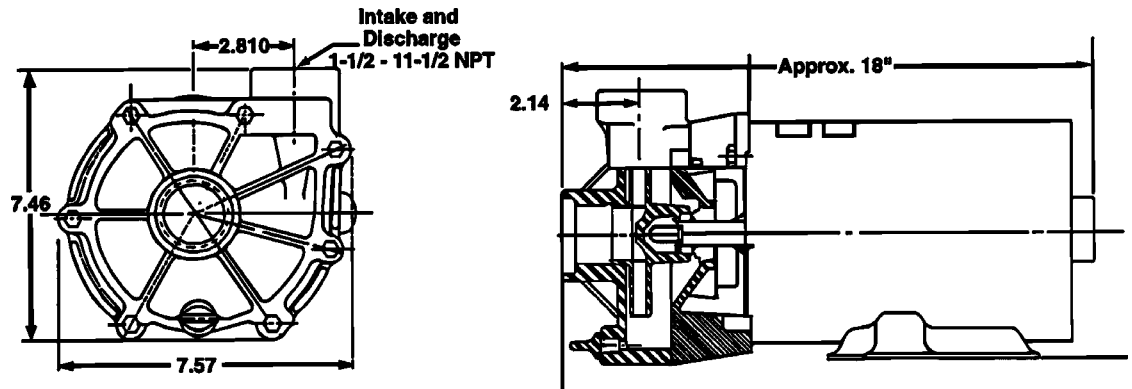
Specifications

- | | |
|---------------|----------------------------------------------------------------------------------------------------------------------------------------------------------------------------------------------------------------------------------------------------------------------------------------------------------------------------------------------|
| 1. Type | <u>C</u> : Centrifugal |
| 2. Mounting | <u>M</u> : Motor Mounted |
| 3. Material | <u>N</u> : Noryl Body, Cover and Impeller |
| 4. Mech. Seal | <u>P</u> : Viton, Polypropylene Case, Carbon Seal, Ceramic Seat
<u>(B)</u> : Buna N, SS Case, Carbon/Ceramic
<u>(V)</u> : Viton, SS Case, Carbon/Ceramic
<u>(C)</u> : Viton, PP Case, Silicon Carbide Seal & Seat
<u>(N)</u> : Neoprene, PP Case, Carbon/Ni-Resist
<u>(H)</u> : High Pressure Buna N, SS Case, Carbon/Ceramic |
| 5. Size | <u>3</u> : #3 Impeller (68 GPM Max.)
w/ 1-1/2" Inlet and Discharge Ports |
| 6. Motor HP | <u>X</u> : Motor Not Included
<u>(1)</u> : 1/3 HP <u>(4)</u> : 1 HP <u>(7)</u> : 3 HP
<u>(2)</u> : 1/2 HP <u>(5)</u> : 1-1/2 HP
<u>(3)</u> : 3/4 HP <u>(6)</u> : 2 HP
{Note: All Optional Motors are 3450 RPM} |
| 7. Motor Type | <u>_</u> : N/A
<u>_</u> & Motor Selected: ODP 1 Phase)
<u>(3)</u> & Motor Selected: ODP 3 Phase)
<u>(T)</u> & Motor Selected: 1 Phase TEFC)
<u>(3T)</u> & Motor Selected: 3 Phase TEFC) |
| 8. Impeller | <u>_</u> : Closed Type
<u>(O)</u> : Open Type) |

Additional Specifications

- Maximum Discharge Head - 88 Ft
- Temperature Range - +0 to +190°F
- Impeller - Noryl
- O-rings - Viton
- Shaft - 316 Stainless Steel (Supplied with Motor)

Dimensions



Corrosion Resistant Series Noryl Centrifugal Pump Model Number – CMNP3X

Performance

CRP Closed Impeller #3
(Based on Water @ Ambient Temp.)

