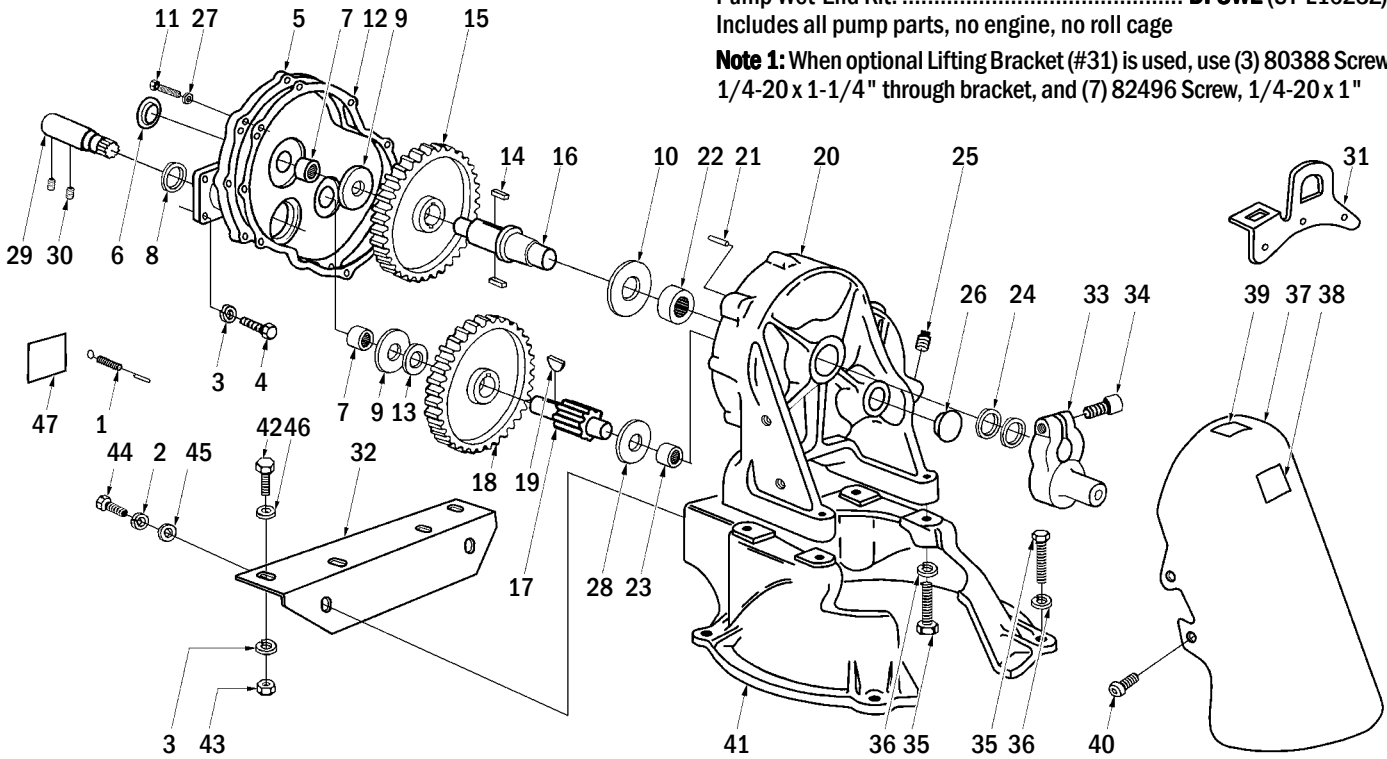


DP3B (UT-L1482Y) • DP3H (UT-L1604Z) • DP3Y (UT-L1632Z)

Pump Wet-End Kit: **DP3WE (UT-L1623Z)**

Includes all pump parts, no engine, no roll cage

Note 1: When optional Lifting Bracket (#31) is used, use (3) 80388 Screw, 1/4-20 x 1-1/4" through bracket, and (7) 82496 Screw, 1/4-20 x 1"

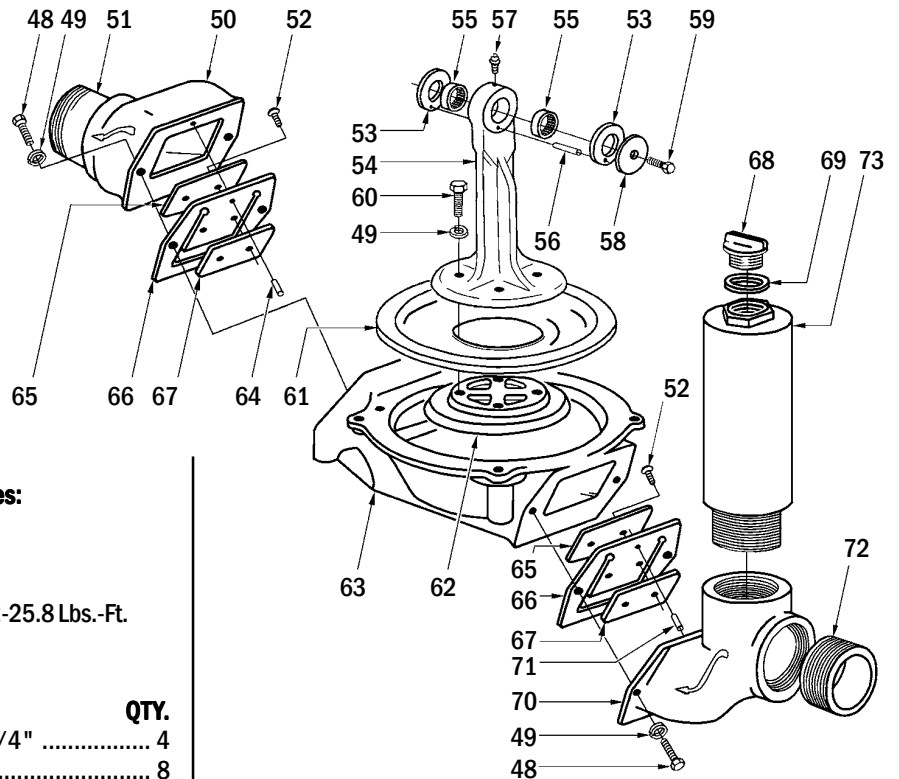


REF.	PART NO.	DESCRIPTION	QTY.
NS	04867 A	Engine, B&S Std 3½ hp (DP3B) [incl. #1]	1
1	15185	Governor Spring (On Engine)	1
NS	08171	Engine, Honda GX160 5½ hp (DP3H)	1
NS	15075	Engine, Yanmar Diesel 4.7 hp (DP3Y)	1
2	83009	Lock Washer, 1/4" (see also #27)	2
3	83002	Lock Washer, 5/16"	6
4	80376	Screw, Hex Head, 5/16-24 x 7/8" (DP3B/H) ...	4
	15213	Screw, Hex Head, 8mm x 25mm (DP3Y)	4
	PA 54976	Gearbox, Assembled [includes #5-28]	1
5	A 75983	Gear Case Cover [includes #6, 7, 8]	1
6	74137	Bearing Cap (see also #26)	2
7	74251	Needle Bearing (see also #23)	2
8	74333	Extension Shaft Seal	1
9	73850	Thrust Washer (see also #28)	2
10	73855	Thrust Washer	1
11	82496	Screw, 1/4-20 x 1" (see Note 1 , above)	10
12	74147	Gasket, Gear Case	2
13	73885	Spacer	1
	A 74334	Gear & Shaft Assembly [incl.#14, 15, 16]	1
14	27752	Key, 1/4"	2
15	73866 1A	Gear, Pump	1
16	73853	Shaft	1
	A 74335	Gear & Shaft Assembly [incl. #17,18,19]	1
17	73883	Pinion Shaft	1
18	74352 1	Gear	1
19	74353 1	Key, 3/16", #9 Woodruff modified	1
20	A 74312 1	Gear Case Assembly [incl. #21 - 26]	1
21	74332	Dowel Pin	2
22	74252	Needle Bearing	1
23	74251	Needle Bearing (see also #7)	1
24	74333	Shaft Seal	2
25	50949	Pipe Plug	1
26	74137	Bearing Cap (see also #6)	1
27	83009	Lock Washer, 1/4" (see also #2)	10
28	73850	Thrust Washer (see also #9)	1

REF.	PART NO.	DESCRIPTION	QTY.
29	A 01534	Shaft, Ext. (1/4-20 threads) [includes #30]	1
	A 15173	Shaft (5/16-18 threads) USE A01534	
30	80357	Set Screw, 1/4-20 threads	2
	15088	Set Screw, 5/16-18 threads	AR
31	49731	Lifting Bracket (Optional - Kit A15209)	1
32	75981 1A	Engine Mounting Bracket (DP3B, DP3H)	1
	15076	Engine Mounting Bracket (DP3Y)	1
33	73858 5A	Crank	1
34	80423	Screw, Socket Head, 1/2-13 x 1-1/2"	1
35	80627	Screw, Hex Head, 1/2-13 x 1-3/4"	8
36	83020	Lock Washer, 1/2"	8
37	A 50785	Guard, Pump Rod [includes #38, 39]	1
38	08972	Decal, Grease	1
39	08971	Decal, Warning	1
40	80676	Screw, Machine, 12-24 x 5/8	4
41	74118 5A	Pump Body, Upper	1
42	80288	Screw, Hex Head, 5/16-18 x 1-3/4"	2
43	81162	Hex Nut, 5/16-18	2
44	80052	Screw, Hex Head, 1/4-20 x 3/4"	2
45	84020	Washer, Flat, 1/4"	2
46	84032	Washer, Flat, 5/16"	2
47	09081	Decal, Safety Sign (on engine)	1
NS	74454 A	Strainer, 3"	1

TORQUE SPECS

REF NO.	Inch Pounds	Newton Meters	Notes:
14	100-120	11.3-13.6	
30	150-180	16.9-20.3	Use Loctite 262
34	1140-1260	128.8-142.4	95-105 Lbs.-Ft.
35	540-660	61.0-74.6	45-55 Lbs.-Ft.
42	150-180	16.9-20.3	
44	100-120	11.3-13.6	



TORQUE SPECS

REF NO.	Inch Pounds	Newton Meters	Notes:
48	150-180	16.9-20.3	
52	7-9	8-1.0	
59	150-180	16.9-20.3	
60	290-310	32.8-35.0	24.2-25.8 Lbs.-Ft.

REF.	PART NO.	DESCRIPTION	QTY.
48	80627	Screw, Hex Head, 1/2-13 X 1-3/4"	4
49	83020	Lock Washer, 1/2"	8
50a	A 09281	Discharge Fitting [includes #51a]	1
51a	07982	Nipple, 3" x 5" NPT	1
50b	A 15179	Discharge Fitting BSP [includes #51b]	AR
51b	74676	Nipple, 3" NPT/BSP	AR
52	80032	Screw, Fillister Head, 10-32 x 1/2"	4
53	73856	Thrust Washer	2
54	A 74339	Pump Rod [includes #55, 56, 57]	1
55	74121	Needle Bearing	2
56	76982	Spring Pin	1
57	32409	Grease Fitting	1
58	73857	Washer	1
59	80095	Screw, Hex Head, 3/8-16 x 1"	1
60	80272	Screw, Hex Head, 1/2-13 x 1-1/4"	4
61	03438	Diaphragm	1
62	73706	Diaphragm Cap	1
63	73877	3A Pump Body	1

REF.	PART NO.	DESCRIPTION	QTY.
64	54890	1 Roll Pin (see also #71)	1
65	74156	S Valve Plate	2
66	74154	1 Flapper Valve	2
67	74155	1 Valve Weight	2
68	A 43971	1 Filler Plug [includes #69]	1
69	18108	1 Gasket, Plug	1
	A 47623	1 Suction Fitting Assy. [incl #70, 71, 72a]	1
70	73805	3A Suction Fitting	1
71	54890	1 Roll Pin (see also #64)	1
72a	74343	1 Nipple 3" x 2-5/8" Close NPT	1
	A 15180	1 Suction Fitting BSP [incl #70, 71, 72b]	AR
70	73805	3A Suction Fitting	AR
71	54890	1 Roll Pin (see also #64)	AR
72b	15175	1 Nipple, 3" x 2-5/8" NPT/BSP	AR
73	74344	3A Standpipe	1

REF.	PART NO.	DESCRIPTION	QTY.
*1	A 07961	Roll Cage (DP3B, DP3H)	1
	A 15183	Roll Cage (DP3Y)	1
*2	84035	Washer, Flat, 1/2"	4
*3	83020	Lock Washer, 1/2"	4
*4	80272	Screw, Hex Head, 1/2-13 x 1-1/4"	4

TORQUE SPECS

REF NO.	Inch Pounds	Newton Meters	Notes:
4	290-310	32.8-35.0	24.2-25.8 Lbs.-Ft.

OTHER PARTS & ACCESSORIES:

PART NO.	DESCRIPTION
74454	A Strainer, 3"
15037	Foot Valve, 3"
L 19948	Owner's Manual
55291	F Gear Oil, 80-90W
A 15061	Spanner Wrench Kit, 3"
A 15043	Dolly Kit
A 15027	Roll Cage Kit
A 15209	Lifting Bracket Kit

