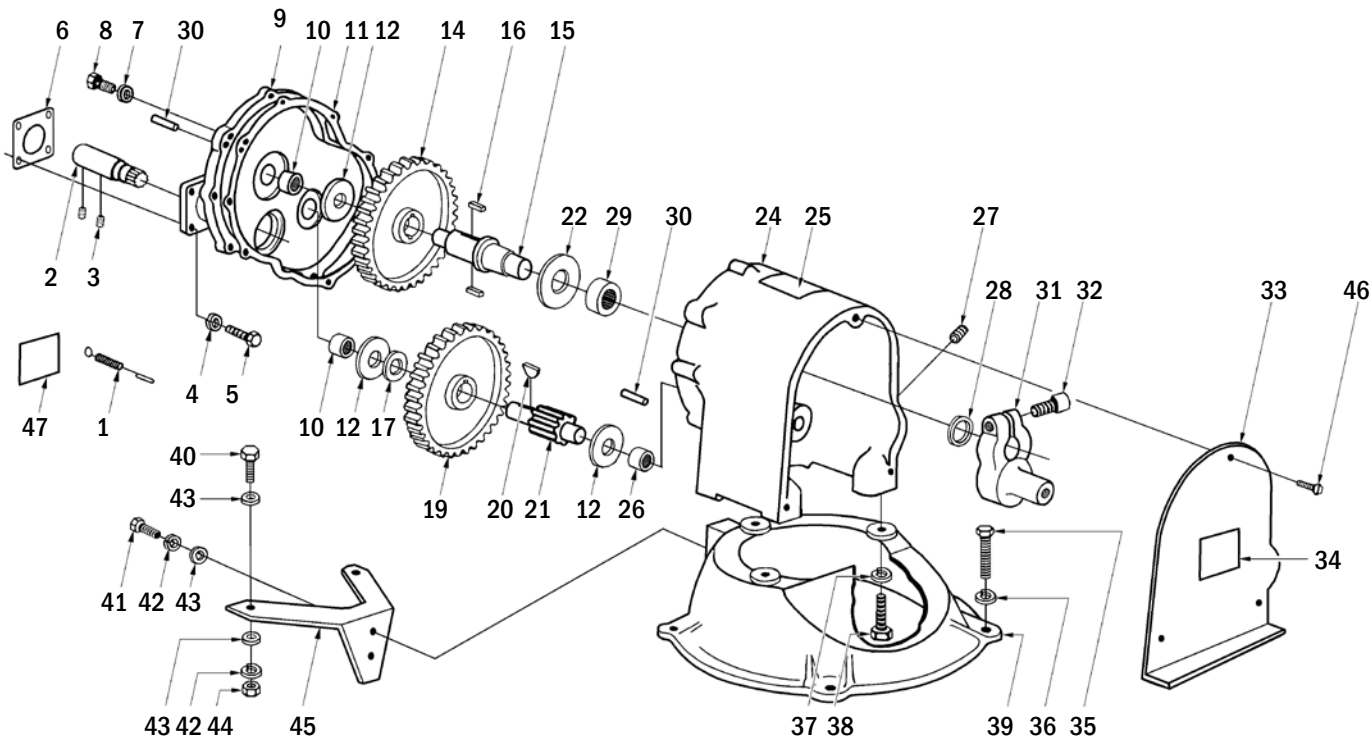


DP2B (UT-L1496Y) • DP2H (UT-L1603Z)



REF.	PART NO.	DESCRIPTION	QTY.
NS	04867 A	Engine, B&S Std 3½ hp (DP2B) [incl. #1]	1
1	15185	Governor Spring (On Engine)	1
NS	08171	Engine, Honda GX160 5½ hp (DP2H)	1
2	A 01534	Shaft, Ext. (1/4-20 threads) [includes #3]	1
	A 15173	Shaft (5/16-18 threads) USE A01534	
3	80357	Set Screw, 1/4-20 threads	2
	15088	Set Screw, 5/16-18 threads	AR
4	83002	Lock Washer, 5/16" (see also #42, 71)	4
5	80376	Screw, 5/16-24 x 1-7/8"	4
6	50666	Gasket, Engine Mounting	1
	A 09268	Gearbox, Assembled [includes #7-30]	1
7	83009	Lock Washer, 1/4"	10
8	80388	Screw, Hex Head, 1/4-20 x 1-1/4"	10
9	A 50487	Gear Case Cover Assy. [includes #10]	1
10	50493	Needle Bearing (see also #26)	2
11	50485	Gasket, Gear Case	2
12	50471	Thrust Washer	3
	A 50490	Gear & Shaft Assy. [incl. #14, 15, 16]	1
14	73866 1A	Gear, Main	1
15	50475	Shaft	1
16	27752	Key, 1/4"	2
17	50496	Spacer	1
	A 50486	Gear & Shaft Assy. [incl. #19, 20, 21]	1
19	74352 1	Gear	1
20	66612	Key, 3/16", #61 Woodruff	1
21	50474	Pinion Shaft	1
22	50483	Thrust Washer, Large (see also #53)	1
	A 50492 A	Gear Case Assembly [incl. #24 - 30]	1
24	50481 2A	Gear Case	1
25	08971	Decal, Warning	1
26	50493	Needle Bearing (see also #10)	1
27	50949	Pipe Plug	1
28	74333	Shaft Seal	1
29	74252	Needle Bearing	1
30	74332	Dowel Pin	2

REF.	PART NO.	DESCRIPTION	QTY.
31	73858 5A	Crank	1
32	80423	Cap Screw, 1/2-13 x 1-1/2"	1
33	50731 1A	Shield, Crank [includes #34]	1
34	08972	Decal, Grease	1
35	80097	Screw, Hex Head, 3/8-16 x 1-1/2"	4
36	83018	Lock Washer, 3/8" (see also #61)	4
37	83020	Lock Washer, 1/2"	3
38	80627	Screw, Hex Head, 1/2-13 x 1-3/4"	3
39	50464 2A	Pump Body, Upper	1
40	80087	Screw, Hex Head, 5/16-18 x 1-1/2"	2
41	82598	Screw, Hex Head, 5/16-18 x 7/8"	2
42	83002	Lock Washer, 5/16" (see also #4, 71)	4
43	84032	Washer, Flat, 5/16" (see also Roll Cage #3)	6
44	81162	Hex Nut, 5/16-18	2
45	50484 1A	Support, Engine	1
46	51247	Thumb Screw, 1/4-20 x 1/2"	3
47	09081	Decal, Safety Sign (On Engine)	1
NS	54702 A	Strainer, 2"	1

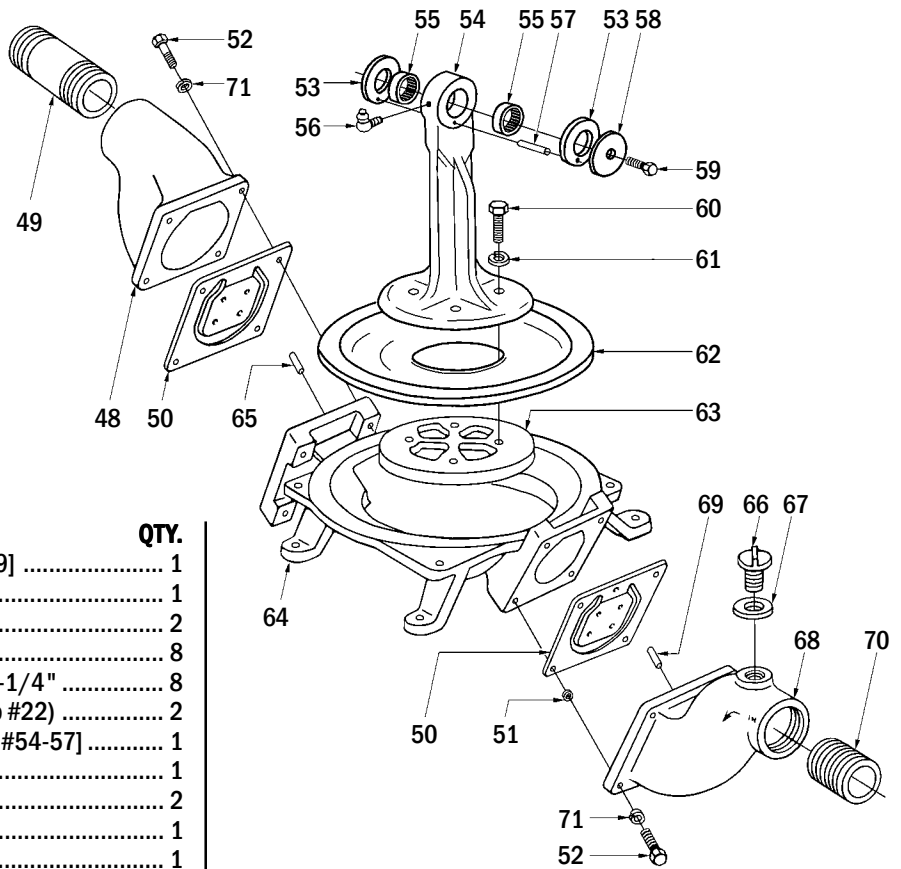
Pump Wet-End Kit: **DP2WE (UT-L1663Z)**
Includes all pump parts, no engine, no roll cage

TORQUE SPECS

REF NO.	Inch Pounds	Newton Meters	Notes:
3	150-180	16.9-20.3	Use Loctite #262
5	150-180	16.9-20.3	
8	100-120	11.3-13.6	
32	1140-1260	128.8-142.4	95-105 Lbs.-Ft.
35	240-260	27.1-29.4	20-22 Lbs.-Ft.
38	540-660	61.0-74.6	45-55 Lbs.-Ft.
40	150-180	16.9-20.3	
41	100-120	11.3-13.6	

TORQUE SPECS

REF NO.	Inch Pounds	Newton Meters
52	150-180	16.9-20.3
59	150-180	16.9-20.3
60	150-180	16.9-20.3



REF.	PART NO.	DESCRIPTION	QTY.
48	A 09283	Discharge Fitting [includes #49]	1
49	07981	Nipple, 2" NPT x 7"	1
50	A 42147	Valve & Insert [includes #51]	2
51	42148	Spacer	8
52	80088	Screw, Hex Head, 5/16-18 x 1-1/4"	8
53	50483	Thrust Washer, Large (see also #22)	2
	A 51221	Pump Rod Assembly [includes #54-57]	1
54	50472	Pump Rod	1
55	74121	Needle Bearing	2
56	50911	Grease Fitting	1
57	76982	Pin	1
58	73857	Washer	1
59	80171	Screw, Hex Head, 3/8-16 x 3/4"	1
60	80771	Screw, Hex Head, 3/8-16 x 1-1/4"	4
61	83018	Lock Washer, 3/8" (see also #36)	4
62	03439	Diaphragm	1
63	50479	Diaphragm Cap	1
64	50465	Pump Body, Lower	1
65	54890	Pin (See also #69)	1

REF.	PART NO.	DESCRIPTION	QTY.
66	A 43896	Drain & Filler Cap [includes #67]	1
67	59910	Gasket	1
68	A 09282	Suction Fitting [includes #69, 70]	1
69	54890	Pin (See also #65)	1
70	75663	Nipple, 2" NPT	1
71	83002	Lock Washer, 5/16" (see also #4, 42)	8

REF.	PART NO.	DESCRIPTION	QTY.
*1	A 07966	Roll Cage	1
*2	83002	Lock Washer, 5/16"	4
*3	84032	Washer, Flat, 5/16" (see also #43)	4
*4	80085	Screw, Hex Head, 5/16-18 x 1"	4

* Included in A 15026 Roll Cage Kit

OTHER PARTS & ACCESSORIES:

PART NO.	DESCRIPTION
55291 F	Gear Oil, 80-90W
54702 A	Strainer, 2"
15036	Foot Valve, 2"
L 19954	Owner's Manual
A 15060	Spanner Wrench Kit, 2"
A 15043	Dolly Kit
A 15026	Roll Cage Kit

TORQUE SPECS

REF NO.	Inch Pounds	Newton Meters	Notes:
4	150-180	16.9-20.3	

