

* Included in A 48377 B Overhaul Seal Kit

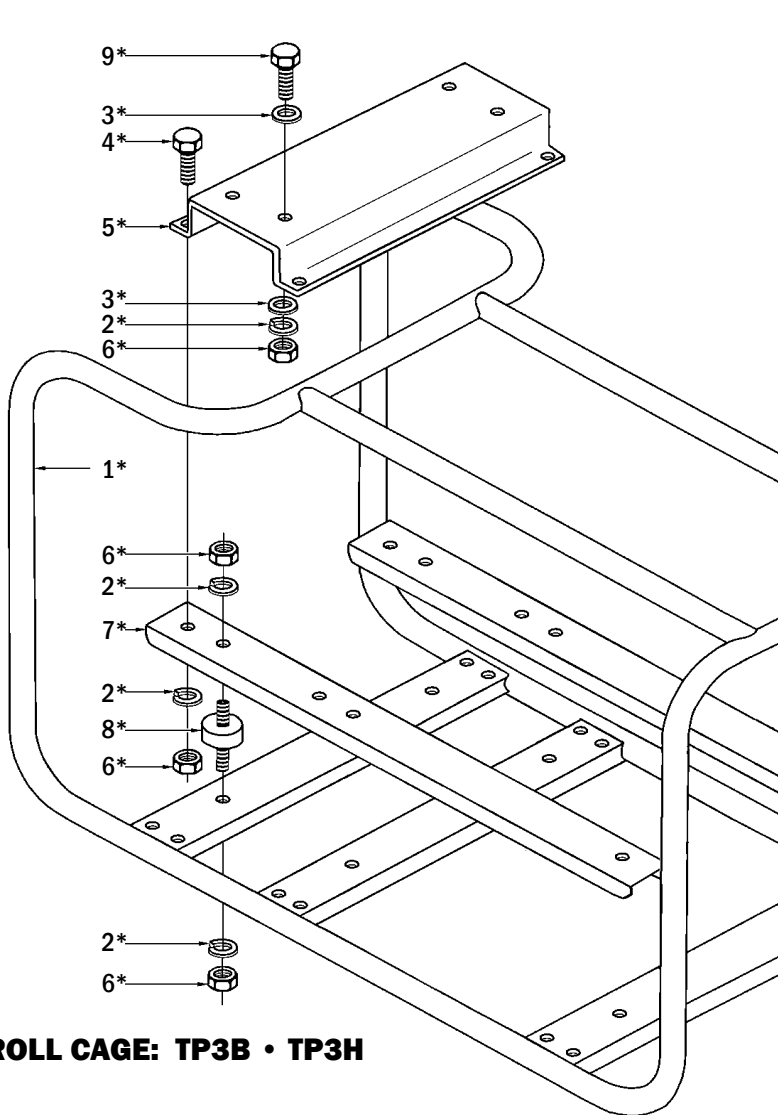
TORQUE SPECS

REF NO.	Inch Pounds	Newton Meters	Notes:
1	200-225	22.6-25.4	
16	150-200	16.9-22.6	
22	25-35	2.8-4.0	

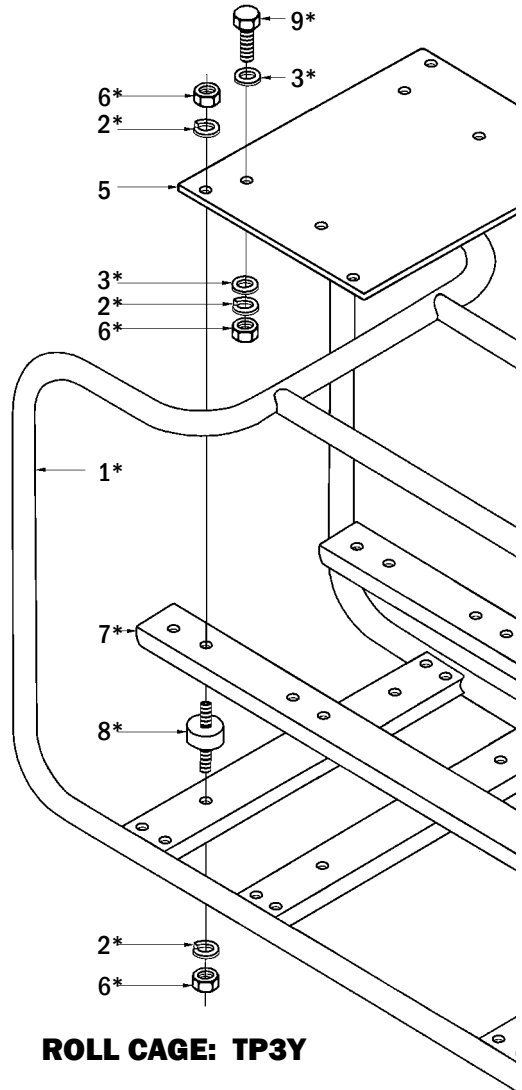
Pump Wet-End Kit: **TP3WE (UT-L1614Z)**
Includes all pump parts, no engine, no roll cage, for non-metric engine

REF.	PART NO.	DESCRIPTION	QTY.
NS	15013	Engine, B&S Intek Pro 8hp (TP3B)	1
NS	15125	Engine, B&S Intek Pro 10hp (TP3B)	1
NS	00972	Engine, Honda GX240 8hp (TP3H)	1
NS	15046	Engine, Yanmar Diesel 6.7hp (TP3Y)	1
1	80771 B	Screw, 3/8-16 x 1-1/4" (TP3B, TP3H)	4
	15065	Screw, Metric, M8 x 1-1/4" (TP3Y)	4
*2	62666	Sealing Washer (TP3B, TP3H)	4
	62874	Sealing Washer (TP3Y)	4
3	A 47651	Pump Body [includes #4]	1
4	15064	Set Screw, 5/8 x 1" (see also #38, 39)	1
5	51456 1	Wear Plate	1
*6	62688	Slinger	1
7	54866 2A	Disconnect Handle	4
8	62677	Impeller Shim, .032"	AR
	62676	Impeller Shim, .015"	AR
	62675	Impeller Shim, .010"	AR
9	62655 1	Impeller	1
10	51458 1	Impeller Housing	1
11	54398	Handle Stud	4
12	54397	Handle Pivot	4
*13	62713 1A	Shaft Seal	1
14	80049	Cap Screw, Hex Head, 1/4-20 x 5/8"	3
15	83020	Lock Washer, 1/2"	2
16	80272	Cap Screw, Hex Head, 1/2-13 x 1-1/4"	2
17	81111	Hex Nut, 10-32	2
18a	62657 6A	Suction Fitting (Standard NPT Threads)	1
18b	62657 4A	Suction Fitting Metric (BSP Threads)	AR
19	62669	Valve Plate, Small	1
20	62667	Flapper Valve	1
21	62668	Valve Plate, Large	1

REF.	PART NO.	DESCRIPTION	QTY.
22	80032	Screw, 10-32 x 1/2"	2
*23	62367	Gasket, End Housing, Large	1
24	A 43971	Filler Plug [includes #25]	1
*25	18108	Gasket	1
26	A 43896	Drain Cap [includes #27]	1
*27	59910	Gasket	1
*28	62363 A	Gasket, End Housing, Small	1
*29	62665 A	Impeller Housing Gasket	1
30	62716	Impeller Nut (TP3B/H)	1
	15138	Impeller Nut (TP3Y)	1
*31	62772	O-Ring	1
32a	A 47716	End Housing [includes #33a - 35]	1
33a	54289 1	Nipple, 3" NPT	1
34	08970	Decal, Fill Pump	1
35	08971	Decal, Warning	1
32b	A 15176	End Housing BSP [includes #33b - 35]	AR
33b	74676 1	Nipple, 3" NPT x BSP	AR
34	08970	Decal, Fill Pump	AR
35	08971	Decal, Warning	AR
36	09081	Decal, Safety Sign (On Engine)	1
37	15057	Sleeve (TP3Y)	4
38	54193	Lifting Eye (Optional - Kit A15208)	1
39	53273 1	Stud (Optional - Kit A15208)	1
NS	74454 A	Strainer, 3"	1



ROLL CAGE: TP3B • TP3H



ROLL CAGE: TP3Y

* Included in A 15023 Roll Cage Kit

REF.	PART NO.	DESCRIPTION	QTY.
*1	A 07952	Roll Cage	1
*2	83002	Lock Washer, 5/16" (TP3B/H)	20
		(TP3Y)	16
*3	84032	Flat Washer, 5/16"	8
*4	80085	Hex Head Screw, 5/16-18 x 1" (TP3B/H)	4
*5	42121 1A	Engine Bracket (TP3B/H)	1
	15069	Engine Bracket (TP3Y)	1
*6	81162	Hex Nut, 5/16-18 (TP3B/H)	20
		(TP3Y)	16
*7	07958	Engine Channel	2
*8	49367	Vibration Isolator	6
*9	80288	Hex Head Screw, 5/16-18 x 1-3/4"	4

TORQUE SPECS

REF NO.	Inch Pounds	Newton Meters	Notes:
1	130-145	14.7-16.4	
4	205-225	23.2-25.4	17-18.8 Lbs.-Ft.
9	160-200	18.1-22.6	

OTHER PARTS & ACCESSORIES:

PART NO.	DESCRIPTION
A 48377 B	Overhaul Seal Kit
74454 A	Suction Strainer, 3"
15037	Foot Valve, 3"
L 19959	Owner's Manual
A 15061	Spanner Wrench Kit, 3"
A 15043	Dolly Kit
A 15023	Roll Cage Kit (TP3B/H)
A 15208	Lifting Eye Kit
62713 2A	Shaft Seal, Viton