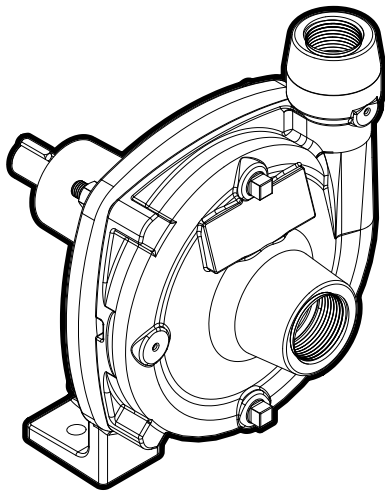


## Frame Mount FACT

**BOOK:** FMT-010  
**DATE:** July 1, 2012



### Specifications:

**Capacities:** to 175 gpm

**Heads:** to 150 feet

**Working Pressure:** 120 psi

**Temperature:** maximum 212 °F

**Rotation:** clockwise viewed from motor end

**Pipe Connections:** NPT

| Discharge | Suction |
|-----------|---------|
| 1"        | 1-1/4"  |
| 1-1/4"    | 1-1/2"  |
| 2"        | 2"      |

### Features:

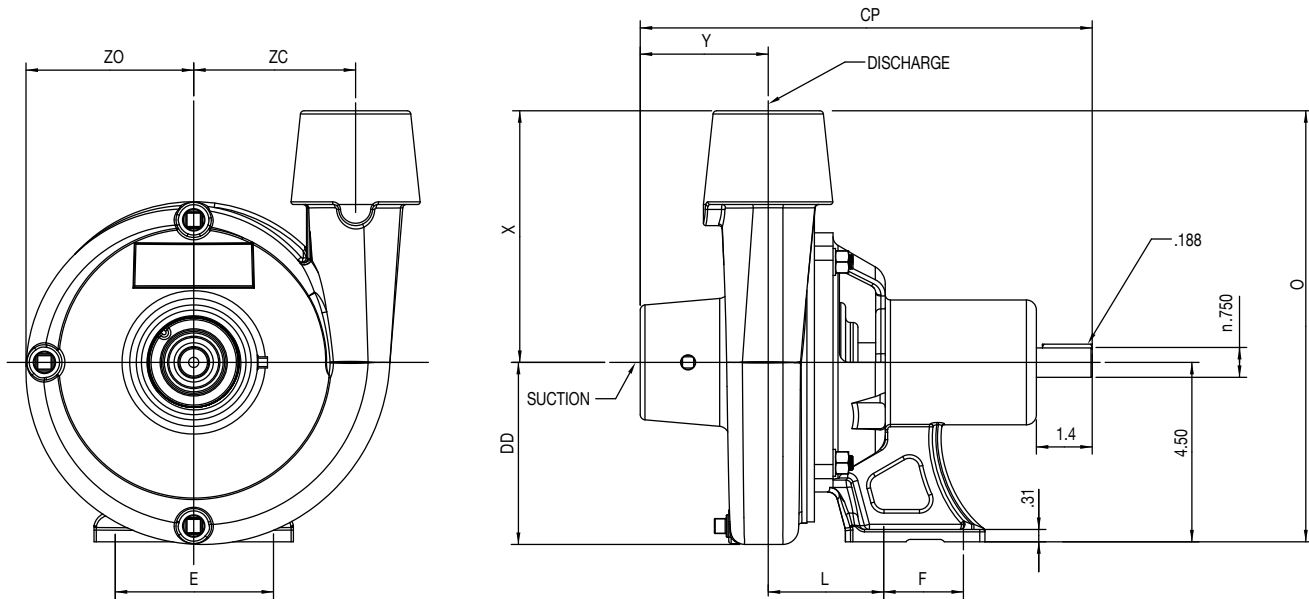
- **Volute:** Cast iron volute can be rotated for ease of installation. Tapped openings provided for venting and draining.
- **Impeller:** Enclosed design for high efficiency. 1×1-1/4 & 1-1/4×1-1/2 glass filled Noryl, 2×2 cast iron.
- **Mechanical Seal:** Standard with carbon/ceramic faces, BUNA elastomers and 300 series stainless components.
- **Bearing Frame:** For belt or direct drive.
- **Mounting:** Can be mounted in a vertical or horizontal position.

### Applications:

- Water Circulation
- Booster Service
- Liquid Transfer
- Spraying System
- Jockey Pump
- General Service

## Frame Mount FACT

### Dimensional Drawings:



### Dimensions:

| Model      | CP    | DD   | E    | F    | L    | O     | X    | Y    | ZC   | ZO   |
|------------|-------|------|------|------|------|-------|------|------|------|------|
| 1 x 1.25   | 8.87  | 3.62 | 4.25 | -    | 2.37 | 9.37  | 4.75 | 2.62 | 4.00 | 3.75 |
| 1.25 x 1.5 | 9.25  | 4.00 | 4.25 | -    | 2.50 | 10.87 | 6.25 | 3.25 | 5.75 | 4.75 |
| 2 x 2      | 11.37 | 4.62 | 4.00 | 2.00 | 2.87 | 11.00 | 6.25 | 3.25 | 5.75 | 4.75 |

**Note:** Dimensions are for estimating purposes only. All dimensions in inches.

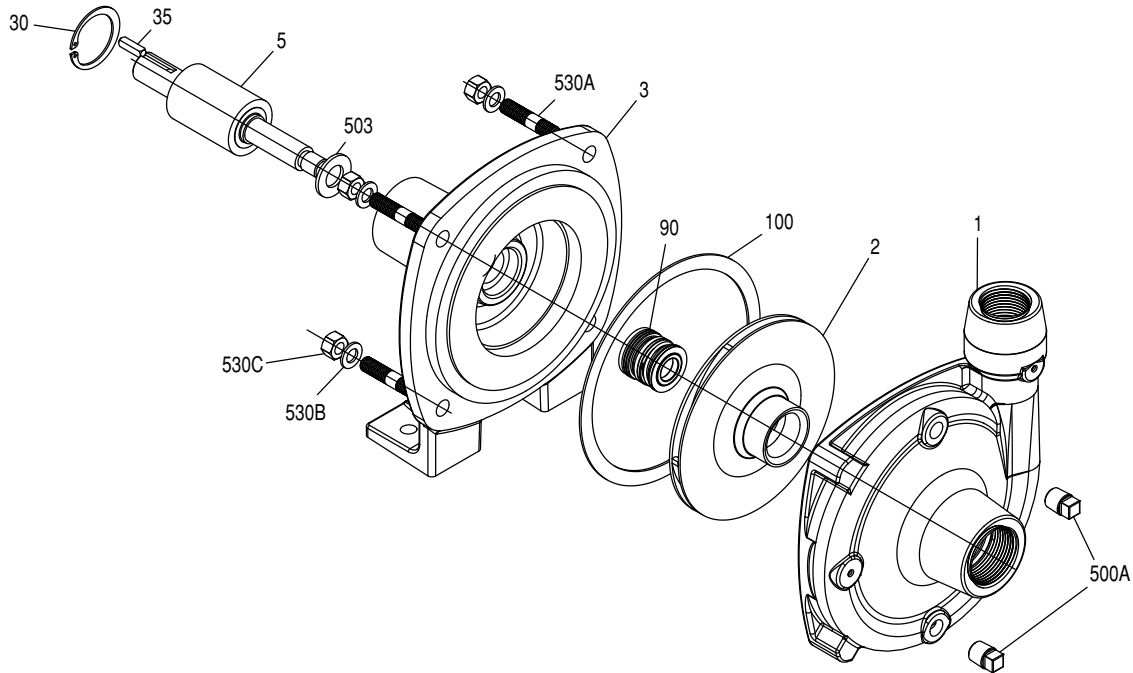
### Ordering Information:

| Frame Mount FAOT      |          |                 |                   |              |        |
|-----------------------|----------|-----------------|-------------------|--------------|--------|
| Pump Size (Dis x Suc) | Rotation | Shaft Sealing   | Model Description | Order Number | Weight |
| 1 x 1-1/4             | CW       | Mechanical Seal | FACT-5            | 90252005     | 18     |
| 1-1/4 x 1-1/2         | CW       | Mechanical Seal | FACT-6            | 90252006     | 19     |
| 2 x 2                 | CW       | Mechanical Seal | FACT-8            | 90252008     | 21     |

**Note:** All weight in pounds.

## Frame Mount FACT

### Exploded Parts Drawing:



### Materials and Parts:

| Fig No.   | Part Description               | Part No.  |           |           | Materials of Construction |
|-----------|--------------------------------|-----------|-----------|-----------|---------------------------|
|           |                                | FACT-5    | FACT-6    | FACT-8    |                           |
| 1         | Volute Case                    | 305453008 | 305453042 | 305459001 | Cast Iron, ASTM-A48 CL30  |
| 2         | Impeller                       | 305453009 | 305453043 | 305453047 | Noryl                     |
| 3         | Transmission Housing           | 305453010 | 305453044 | N/A       | Cast Iron, ASTM-A48 CL30  |
| 3         | Transmission Housing           | N/A       | N/A       | 305453048 |                           |
| 5         | Shaft/Bearing Assembly         | 305453011 |           |           | Misc.                     |
| Not Shown | Shaft                          | N/A       | N/A       | 305453049 | Low Carbon Steel C1018120 |
| Not Shown | Ball Bearing (2-pack)          | N/A       | N/A       | 305463180 | Misc.                     |
| 30        | Retaining Ring                 | 305463027 |           | 305463181 | steel                     |
| 35        | Shaft Key                      | 305463028 |           | 305453028 | 301 Stainless steel       |
| 90        | Mechanical Shaft Seal          | 305463176 |           | 305463182 | Carbon/Ceramic/Buna/316SS |
| 100       | Gasket/ O'RING                 | 305453012 | 305453045 | 305463004 | NA60/Nitrile              |
| 503       | Water Slinger                  | 305453013 |           | 305453050 | Neoprene                  |
| Not Shown | Pipe Plug 1/8 (3-pack)         | N/A       | N/A       | 305463009 | Cad-Plated Steel          |
| 500A      | Pipe Plug (3-pack)             | 305463020 |           |           | Cad-Plated Steel          |
| 530A      | Bracket Threaded Stud (4-pack) | 305463031 |           |           | Zinc Plated Steel         |
| 530B      | Lockwasher (4-pack)            | 305463032 |           |           | Zinc Plated Steel         |
| 530C      | Hex Nut (4-pack)               | 305463033 |           |           | Zinc Plated Steel         |
| Not Shown | Impeller Hex Cap Screw         | N/A       | N/A       | 305463056 | Zinc Plated Steel         |
| Not Shown | Impeller Washer                | N/A       | N/A       | 305463063 | Zinc Plated Steel         |
| Not Shown | Sleeve                         | N/A       | N/A       | 305453051 | 304 Stainless Steel       |
| Not Shown | Seal Plate                     | N/A       | N/A       | 305453052 | Cast Iron, ASTM-A48 CL30  |
| Not Shown | Lip Seal                       | N/A       | N/A       | 305463139 | Nitrile (Buna)            |

# Frame Mount FACT

Performance Curve:

**3600 rpm**  
Nominal

