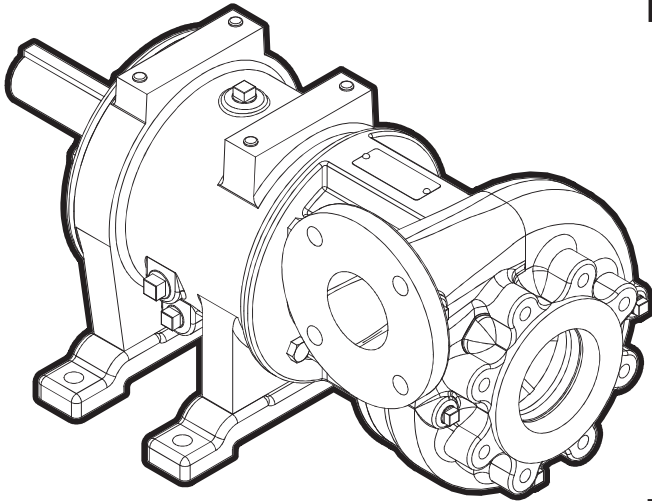


## Frame Mount 7.5"

BOOK: FMT-015  
DATE: Mar. 1, 2012



### Features:

- **Volute:** Ductile iron for heavy-duty service. Back pullout design. Can be rotated for ease of installation.
- **Impeller:** Enclosed design for high efficiency. Configured for superior NPSH characteristics, ductile iron construction. Internal hydraulic balancing for reduced bearing load.
- **Seal:** Packed box with lantern ring or mechanical seal with silicon carbide/silicon carbide, Viton® elastomers.
- **Bearing Frame:** Heavy duty iron, oversized shaft, max-life bearings and external grease lubrication.
- **Mounting:** Can be mounted in vertical or horizontal position.

### Maintenance Features:

- Replaceable bronze wear-rings.
- Replaceable shaft sleeve
- Casing jack-out holes for ease of service
- Two piece stainless packing gland

### Specifications:

**Capacities:** to 1100 gpm

**Heads:** to 250 feet

**Working Pressure:** 350 psi

**Temperature:** maximum 212 °F

**Rotation:** clockwise viewed from motor end

**Pipe Connections:** flanged - Class 150

Discharge	Suction
1-1/2"	3"
2"	3"
2-1/2"	4"
3"	4"
4"	4"
4"	5"

### Applications:

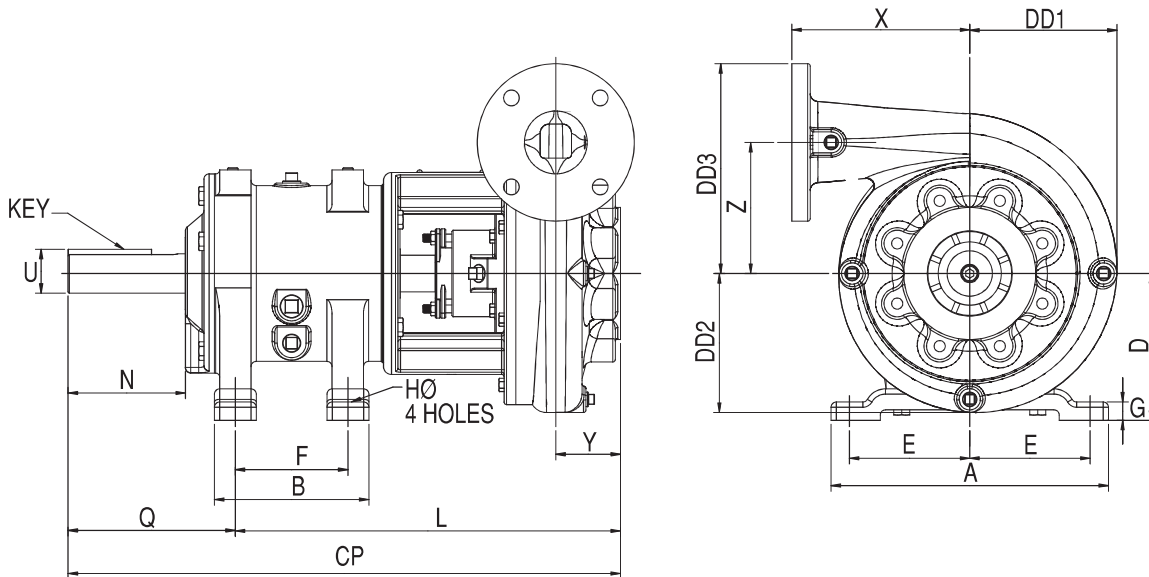
- Irrigation
- Commercial
- Construction
- Municipal
- Mining
- Light Industrial

Viton® is a registered trademarks of E. I. du Pont de Nemours and Company.

## Frame Mount 7.5"

### Dimensional Drawings:

FIGURE 1



### Dimensions:

Model	A	B	D	E	F	G	H	L	N	Q	U	X	Y	Z	CP	DD1	DD2	DD3	KEY
1.5 x 3 - 7.5	13.25	7.38	7.00	5.75	5.38	0.88	0.69	17.97	5.61	7.99	1.875	6.00	2.89	4.38	25.96	4.94	4.82	6.88	0.50
2 x 3 - 7.5	13.25	7.38	7.00	5.75	5.38	0.88	0.69	17.97	5.61	7.99	1.875	6.25	2.75	4.50	25.96	5.07	4.82	7.50	0.50
2.5 x 4 - 7.5	13.25	7.38	7.00	5.75	5.38	0.88	0.69	18.25	5.61	7.99	1.875	6.50	3.00	4.75	26.24	5.64	5.20	8.25	0.50
3 x 4 - 7.5	13.25	7.38	7.00	5.75	5.38	0.88	0.69	18.29	5.61	7.99	1.875	6.99	3.00	5.00	26.28	5.82	5.33	8.75	0.50
4 x 4 - 7.5	13.25	7.38	7.00	5.75	5.38	0.88	0.69	18.44	5.61	7.99	1.875	8.00	3.00	5.50	26.43	6.11	5.54	10.00	0.50
4 x 5 - 7.5	13.25	7.38	7.00	5.75	5.38	0.88	0.69	18.88	5.61	7.99	1.875	8.00	3.25	5.50	26.87	6.52	5.92	10.00	0.50

**Note:** Dimensions are for estimating purposes only. All dimensions in inches.

## Frame Mount 7.5"

### Ordering Information:

7.5" Nominal Impeller Diameter - (BF) Bearing Frame					
Pump Size (Dis x Suc - Imp)	Rotation	Shaft Sealing	Model Description	Order Number	Weight
1.5 x 3 - 7.5	CW	Packing	HC-3X15-75-BF-P	14031575100	245
1.5 x 3 - 7.5	CW	Mechanical Seal	HC-3X15-75-BF-M	15031575101	245
2 x 3 - 7.5	CW	Packing	HC-3X2-75-BF-P	14030275100	245
2 x 3 - 7.5	CW	Mechanical Seal	HC-3X2-75-BF-M	15030275101	245
2.5 x 3 - 7.5	CW	Packing	HC-4X25-75-BF-P	14042575100	255
2.5 x 4 - 7.5	CW	Mechanical Seal	HC-4X25-75-BF-M	15042575101	255
3 x 4 - 7.5	CW	Packing	HC-4X3-75-BF-P	14040375100	265
3 x 4 - 7.5	CW	Mechanical Seal	HC-4X3-75-BF-M	15040375101	265
4 x 4 - 7.5	CW	Packing	HC-4X4-75-BF-P	14040475100	265
4 x 4 - 7.5	CW	Mechanical Seal	HC-4X4-75-BF-M	15040475101	265
4 x 5 - 7.5	CW	Packing	HC-5X4-75-BF-P	14050475100	285
4 x 5 - 7.5	CW	Mechanical Seal	HC-5X4-75-BF-M	15050475101	285

**Notes:** There will be an impeller trimming charge applied for any non-standard impeller trim.  
Consult price sheets for list price adders. All dimensions in inches. All weight in pounds.