

SHURflo Corrosion-Resistant Close-Coupled Centrifugal Pumps

Noryl® Series and Polypropylene Series

Repair Parts List for Polypropylene Pumps

Ref. No.	Description	Part Number for Pump Head Model:						Qty
		CHMPB1	CHMPB2	CHMPB3	CHMPB4	CHMPB5	CHMPB6	
1	Body Adapter	18739	18739	18739	18739	18739	18739	1
2	Pump Housing	13474	13474	13474	13474	13474	13474	1
3	Drain Plug or Water Flush Plug	18355	18355	18355	18355	18355	18355	2
4	Impeller	24669	19539	19540	18351	18352	18353	1
5	Seal/Seat Assy. (Buna-N/Carbon/Ceramic) ‡ ²	24443S	24443S	24443S	24443S	24443S	24443S	1
	Seal Assembly (PP/Viton/Silicon Carbide) * † ³	15047S	15047S	15047S	15047S	15047S	15047S	1
	Seal Assembly (PP/Viton/Carbon/Ceramic) * † ³	14528S	14528S	14528S	14528S	14528S	14528S	1
	Seal Assembly (SS/Viton/Carbon/Ceramic) * † ²	13263S	13263S	13263S	13263S	13263S	13263S	1
	Seal Assembly (SS/Viton/Silicon Carbide) * † ²	24466S	24466S	24466S	24466S	24466S	24466S	1
	Seal Assembly (SS/Neoprene/Carbon/Ni-Resist) * ³	17567S	17567S	17567S	17567S	17567S	17567S	1
6	O-ring gasket (Buna-N)	13264	13264	13264	13264	13264	13264	1
	O-ring gasket (Viton)*	13259	13259	13259	13259	13259	13259	1
7	Plug O-ring (Buna-N)	13313	13313	13313	13313	13313	13313	2
	Plug O-ring (Viton)*	13312	13312	13312	13312	13312	13312	2
8	Fastener kit (18-8 Stainless Steel) (includes screws, washers & nuts)	13437	13437	13437	13437	13437	13437	1
9	Slinger	14990	14990	14990	14990	14990	14990	1
10	Motor (See motor chart-Item 10)	-	-	-	-	-	-	1
11	Seal O-ring (Buna-N)	18818	18818	18818	18818	18818	18818	1
	Seal O-ring (Viton)*	18807	18807	18807	18807	18807	18807	1

- (*) Optional
- (†) Seals also contain 316 stainless steel components and have Viton bellows.
- (‡) Seals also contain 316 stainless steel components and have Buna-N bellows.
- (1) Seals are encased with Noryl. No metallic components are exposed to fluid.
- (2) Seals are not encased. Stainless steel case and spring are exposed to fluid.
- (3) Seals are encased with Polypropylene. No metallic components are exposed to fluid.

Replacement Pump Heads-Polypropylene

Description	Pump Head No.
1/3 HP Polypropylene Pump Head	CHMPB1X
1/2 HP Polypropylene Pump Head	CHMPB2X
3/4 HP Polypropylene Pump Head	CHMPB3X
1 HP Polypropylene Pump Head	CHMPB4X
1-1/2 HP Polypropylene Pump Head	CHMPB5X
2 & 3 HP Polypropylene Pump Head	CHMPB6X

NOTES: All Replacement Pump Heads come with standard seal listed as Ref. No. 5 above.
An optional 56J Pedestal Base is also available as part number 24479.
See Figure 5 for pedestal dimensional data.

(Optional) Pedestal Pump Mount
Part Number 24479
(Replaces 56J frame motor)
(When long coupling or pulley drive is required)

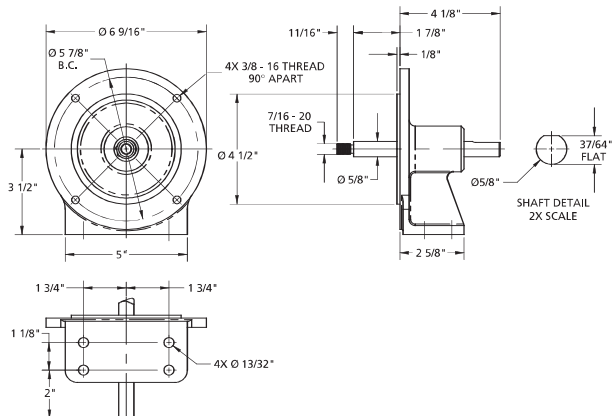


Figure 5 NOTE: Dimensions have a tolerance of ± 1/8".
(Ø) Diameter.