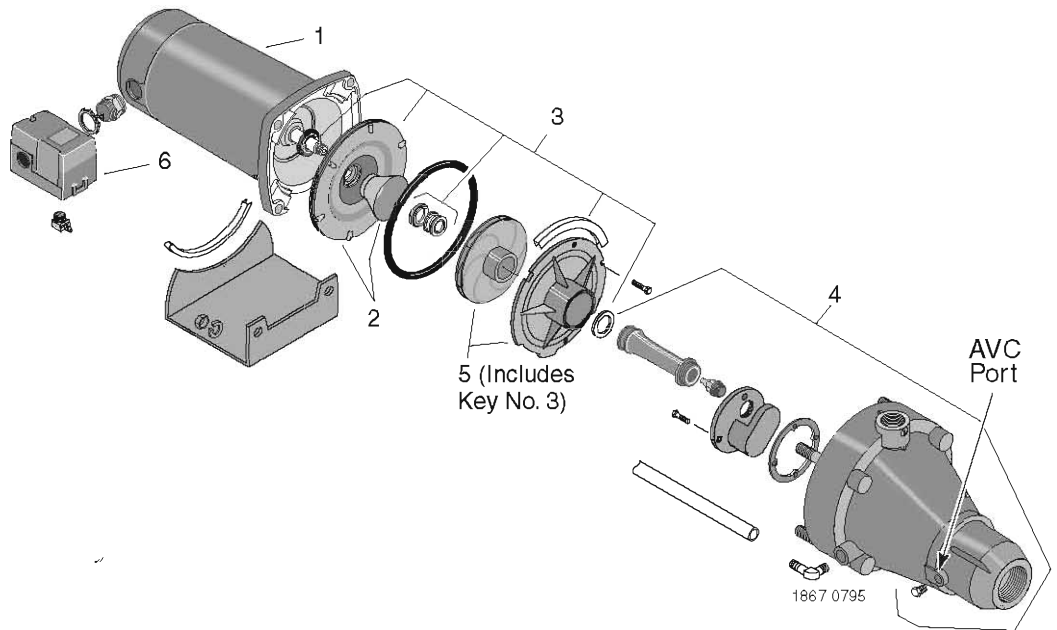


**FP4012-08, FP4012-08C**  
**FP4022-08, FP4022-08C**



**Models FP4012-08, FP4012-08C, FP4022-08, and FP4022-08C**

Key No.	Part Description	Corrosion Resistant Model and HP	
		FP4012-08*** FP4012-08C*** 1/2HP	FP4022-08 FP4022-08C 3/4HP
1	Motor	J218-577PKG	J218-590PKG
2	Seal Plate Assembly*	N203-12P	N203-12P
3	Seal and Gasket Kit**	FPP1530	FPP1530
4	Pump Body Assembly§	N176-35P	N176-35PA
5	Overhaul Kit§§	FPP1520	FPP1521
6	Pressure Switch	U217-1202	U217-1202

\* Series FP4000 includes: Seal plate, O-Ring, and seal plate insert.

\*\* Includes: Water slinger, seal plate O-Ring or gasket, shaft seal, and diffuser O-Ring or gasket. Series FP4000 includes diffuser pad also.

\*\*\* Included in model FP401215H-04 or FP401215H-04C (as applicable).

§ Includes: Pump body, nozzle, and venturi. Series FP4000 includes venturi O-Ring; does not include check valve.

§§ Includes: Seal and Gasket Kit (Key No. 3), impeller, and diffuser. Series FP4000 includes seal plate insert also.