



**MYERS<sup>®</sup>**  
**2C SERIES**  
**2-STAGE HIGH PRESSURE**  
**CENTRIFUGAL PUMPS**

**1, 1-1/2 AND 2 HP**

# MYERS® 2C SERIES

## 2-Stage High Pressure Centrifugal Pumps

### High Performance

Myers 2-stage centrifugal pumps deliver high performance with a rugged design for years of trouble-free service. The 2-stage pumps are available as a complete pump and motor assembly or pump end only. The fully assembled pump end quickly mounts to a NEMA 56C motor. The pumps will easily prime up to 15 feet of total suction lift. The dynamically balanced impellers produce steady, quiet and vibration-free performance at all pressures.



### Choice of Complete Unit or Pump End Assembly

- Pump end assembly – Ready for direct mounting to NEMA 56C motor.
- Complete units – Powered by a strong capacitor start, double ball-bearing motor capable of continuous operation.

### Separate Pump Shaft Design

- Class H insulation.
- Continuous duty/VFD rated.
- Oil-filled motor for maximum heat dissipation and constant bearing lubrication.
- Internal thermal overload protection.
- Double tandem shaft seals prevent sewage from entering motor.
- Internal seal leak probes warn of moisture entry.
- Triple sealed power and control cables.

### Easy Priming

- Up to 15 feet of total suction lift.

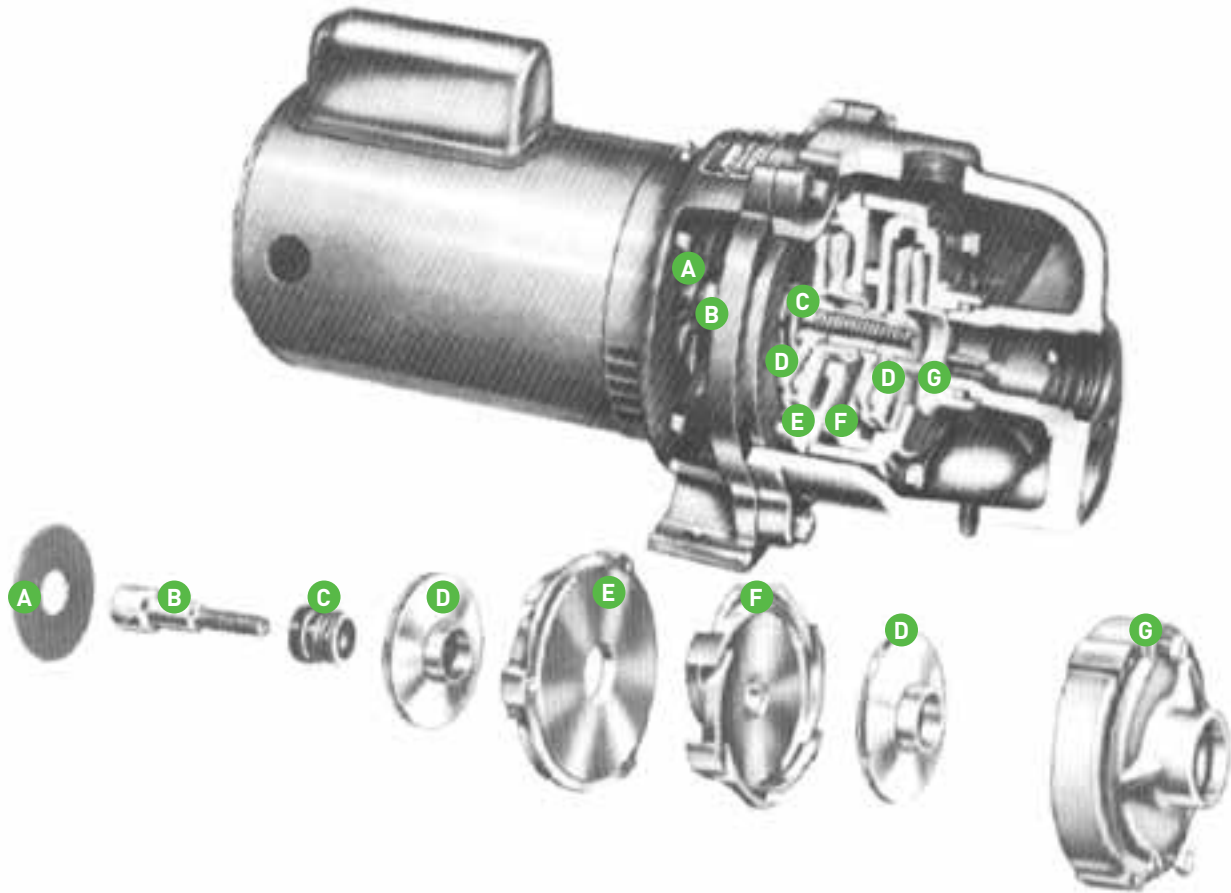
### Strong Pump Performance

- High heads to 175 feet (75 psi).
- Capacities to 45 GPM.
- 1, 1-1/2 and 2 horsepower ratings.
- Maximum temperatures of 160°F (71°C).

### Rugged Heavy Duty Construction

- No-lead silicon bronze impellers balanced for smooth operation.
- High tensile cast iron case, bracket and internal housings.
- Stainless steel pump shaft.
- Long life mechanical shaft seal lapped and polished carbon-ceramic with stainless steel construction.

# Pump Features



## A. Slinger

Keeps moisture from reaching motor.

## B. Stainless Steel Shaft

Assures perfect alignment and is easily removed.

## C. Shaft Seal

Made of high-polished ceramic with carbon rotary face.

## D. Lead-free Bronze Impellers

Dynamically balanced for smooth operation.

## E. Discharge Diffuser

## F. Second Stage Diffuser

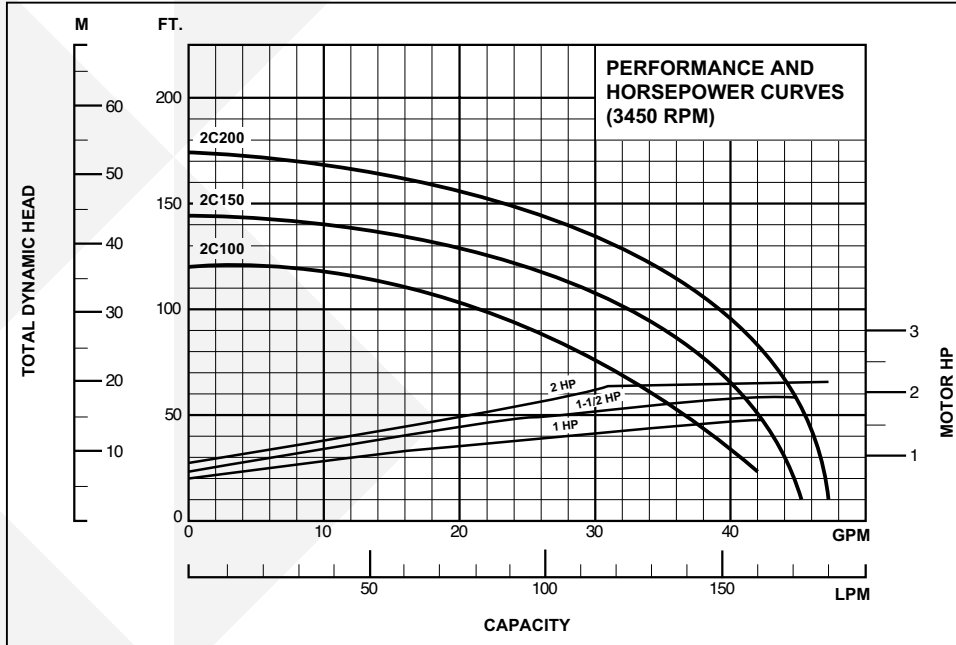
Constructed of high tensile, epoxy-coated cast iron.

## G. Diffuser Housing

Completely encloses diffuser assembly for quiet pumping.

# Performance Data

3450 RPM



Catalog Number		Motor		Capacity – U.S. Gallons Per Minute						Suction Pipe	Discharge Pipe
Complete Unit	Pump End	HP	Volts	Discharge Pressures							
				10	20	30	40	50	60		
2C100	2C100PE	1	115/230	42	37	31	23	14	–	1-1/4"	3/4"
2C150	2C150PE	1-1/2	115/230	45	42	39	34	27	10	1-1/4"	1"
2C200	2C200PE	2	230	47	46	44	41	35	27	1-1/4"	1"



740 EAST 9TH STREET,  
ASHLAND, OHIO 44805  
WWW.FEMYERS.COM

490 PINEBUSH ROAD, UNIT 4  
CAMBRIDGE, ONTARIO  
N1T 0A5  
WWW.FEMYERS.COM

Because we are continuously improving our products and services, Pentair reserves the right to change specifications without prior notice.  
K3871 12/10/13 © 2013 Pentair. All Rights Reserved.