



# MARCH PUMPS

1819 PICKWICK AVE., GLENVIEW, IL 60026-1306, U.S.A  
 PHONE: (847) 729-5300 - FAX: (847) 729-7062  
 WWW.MARCHPUMP.COM

## TE-7R-MD, TE-7K-MD TE-7S-MD

### DESCRIPTION:

Series 7 are centrifugal magnetic drive pumps, eliminating the need for a shaft seal. Pumps can be serviced with an adjustable wrench. See the parts list for a breakdown of parts.

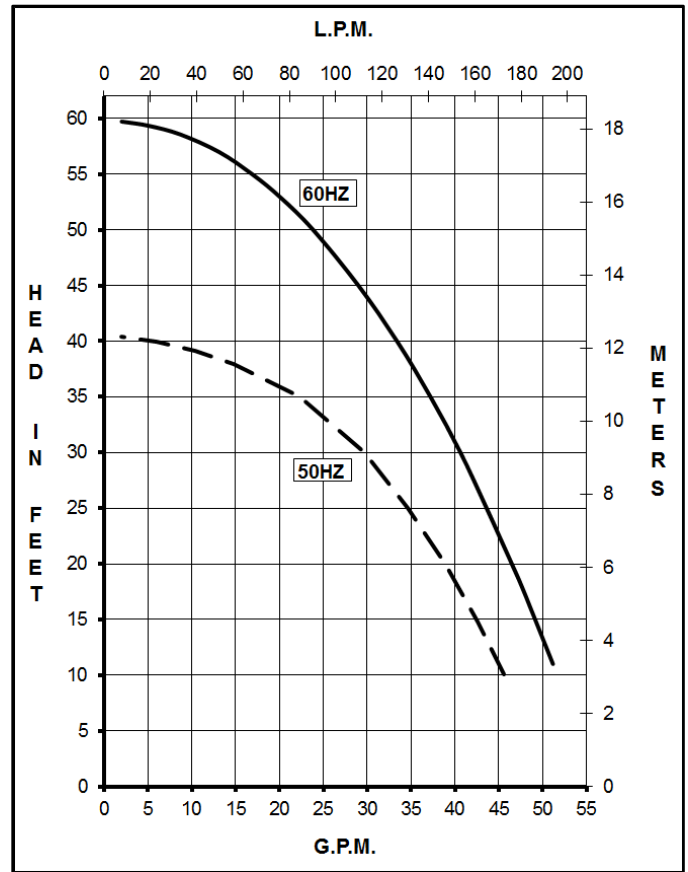
### OPERATION:

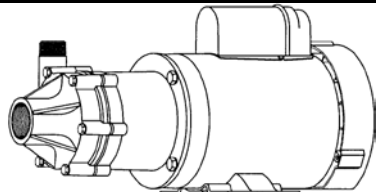
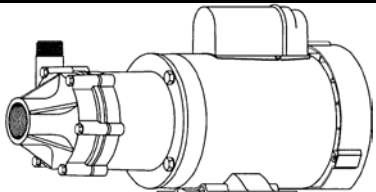
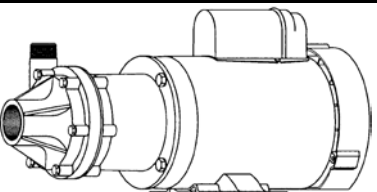
Pumps are not self-priming, lack a suction lift, and thus require a **flooded suction**. Pumps **cannot be run dry** because the impeller requires the liquid being pumped for lubrication. The direction of motor rotation should be clockwise when facing the inlet of the pump. For liquids with a specific gravity greater than water, have a higher viscosity, or for elevated temperatures, a trimmed impeller may be necessary. For application assistance, contact March Pump.

### LIMITED WARRANTY:

March pumps are guaranteed only against defects in workmanship or materials for a period of one year from date of manufacture pumping water. For the complete warranty and to register online go to [www.marchpump.com/warranty-registration](http://www.marchpump.com/warranty-registration)

Distributed by PumpBiz  
 call 800-PumpBiz  
[www.pumpbiz.com](http://www.pumpbiz.com)



SPECIFICATIONS	TE-7R-MD				TE-7K-MD				TE-7S-MD							
																
Model Abbreviations	R: Polypropylene/Ryton, K: Kynar, S: Stainless Steel															
Max Flow	60Hz {53 gpm} - 50Hz {180 lpm}															
Max Head	60Hz {60 ft / 26 psi} - 50Hz {12.3 m}								60Hz {57.5 ft / 25 psi} - 50Hz {12 m}							
Inlet - Outlet	1-1/2" FPT - 1" MPT															
Internal Pressure	50 psi / 3.4 bar Max				75 psi / 5 bar Max				200 psi / 13 bar Max							
Liquid Temperature	190°F / 87°C Max				200°F / 93°C Max				250°F / 121°C Max							
Packed Weight	1Ph 38.55 lbs / 17.48 kg				38.75 lbs / 17.57 kg				49.75 lbs / 22.56 kg							
	3Ph 34.95 lbs / 15.85 kg				35.10 lbs / 15.92 kg				45.25 lbs / 20.52 kg							
Models	TE-7R-MD & TE-7K-MD								TE-7S-MD							
	60Hz - 1 Ph	50Hz - 1 Ph	60Hz - 3 Ph	50Hz - 3 Ph	60Hz - 1 Ph	50Hz - 1 Ph	60Hz - 3 Ph	50Hz - 3 Ph	60Hz - 1 Ph	50Hz - 1 Ph	60Hz - 3 Ph	50Hz - 3 Ph				
Motor Type	TEFC: Totally Enclosed Fan Cooled								TEFC: Totally Enclosed Fan Cooled							
Rating / Duty	U.L. listed motor / Continuous								U.L. listed motor / Continuous							
Watts	(115V) 1231	(115V) 764	(230V) 1023	(230V) 628	(115V) 1140	(110V) 740	(230V) 1118	(190V) 730	(230V) 1140	(220V) 740	(460V) 1118	(380V) 730				
	(230V) 1231	(230V) 764	(460V) 1023	(460V) 628	(230V) 1140	(220V) 740	(460V) 1118	(380V) 730	(230V) 1140	(220V) 740	(460V) 1118	(380V) 730				
Amps	(115V) 9.7	(115V) 10.4	(230V) 2.2	(230V) 2.2	(115V) 11.8	(110V) 12.4	(230V) 3.0	(190V) 2.6	(230V) 5.90	(220V) 6.20	(460V) 1.5	(380V) 1.3				
	(230V) 4.9	(230V) 5.20	(460V) 1.1	(460V) 1.1	(230V) 5.90	(220V) 6.20	(460V) 1.5	(380V) 1.3	(230V) 5.90	(220V) 6.20	(460V) 1.5	(380V) 1.3				
Hp / Kw - Rpm	3/4 - 3450	0.497 - 2850	3/4 - 3450	0.559 - 2850	1 - 3450	0.745 - 2850	1 - 3450	0.559 - 2850	1 - 3450	0.745 - 2850	1 - 3450	0.559 - 2850				
Electrical Connection	Conduit Box								Conduit Box							
Overall Size (H x W x L)	8.94" x 8.96" x 17.81"				7.38" x 8.96" x 17.31"				8.94" x 8.96" x 18.29"				7.38" x 8.96" x 17.29"			
	22.7 cm x 22.7 cm x 45.2 cm				18.7 cm x 22.7 cm x 43.9 cm				22.7 cm x 22.7 cm x 46.4 cm				18.7 cm x 22.7 cm x 43.9 cm			
Materials in Contact with Solution	TE-7R-MD: Polypropylene, Ryton, Viton, Ceramic, Ryton/Teflon/Carbon TE-7K-MD: Kynar/Carbon Filled, Viton, Ceramic, Carbon TE-7S-MD: 316 Stainless Steel, Viton, Ceramic, Carbon															

Models are 115/230V, 1 phase or 230/460V, 3 phase, TEFC.

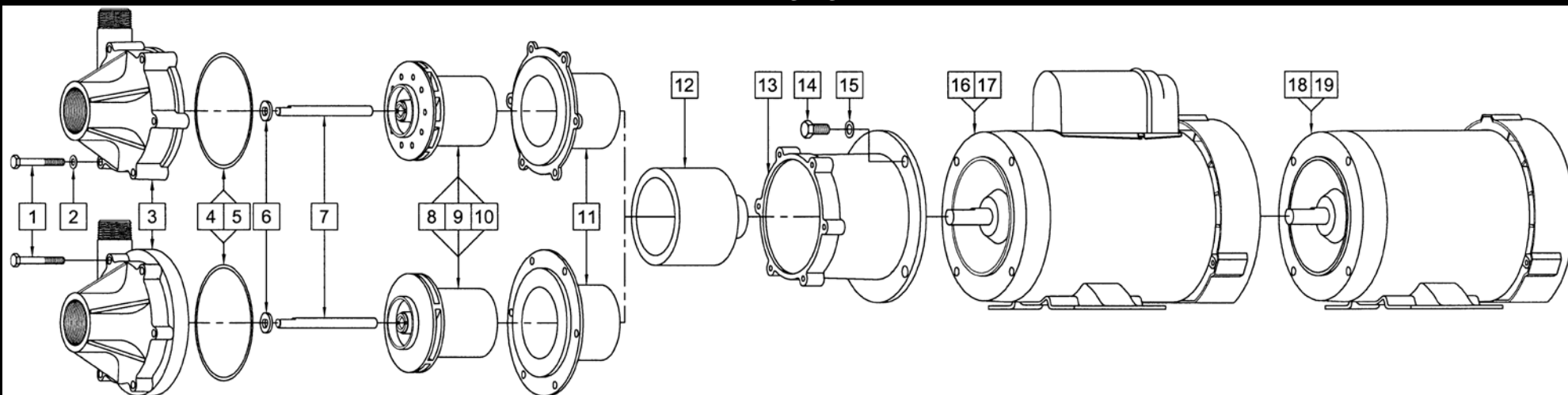
All specifications & data are based on pumping water & are intended as a guideline only. Specifications may vary with different motors.

**TE-7S-MD PUMP ONLY:** The Impeller, shaft, and Thrust washer are packed separately within the carton to prevent damage during shipping. These items need to be assembled into the pump before installation. Be sure all parts are assembled per the exploded view shown.

**NOTE:**

When replacing Impeller Bushing in the field: The plastic bushings must be bored to size after they have been pressed into the impeller. Bore to 0.378/0.381 I.D. The carbon and ceramic bushings are to finished size and do not require boring. When attaching drive magnet to the motor shaft, position the face of the drive magnet 1/8 inch below the face of the motor bracket.

**PARTS LIST**



#	DESCRIPTION	TE-7R-MD	TE-7K-MD	TE-7S-MD	SIZE (Inches)	QTY.	TE-7R-MD	TE-7K-MD	TE-7S-MD
1	Screw	Stainless			1/4-20 x 2 Lg.	6	0155-0014-1000		
2	Washer	Stainless			1/4 ID x 1/2 OD	6	0155-0021-1000		
3	Front Housing	Polypropylene	Kynar	316 Stainless		1	0155-0011-1000	0155-0125-1000	0155-0036-0000
4	"O" Ring	Viton			1/8 CS x 4-3/8 OD	1	0155-0010-1000		
5	"O" Ring	Viton/Teflon (Option)			1/8 CS x 4-3/8 OD	1	0155-0071-1000		
6	Thrust Washer	Ceramic				1	0155-0009-1000		
7	Shaft	Ceramic			4.070 Lg.	1	0155-0039-1000		
	Shaft			Ceramic	4.257 Lg.	1	0155-0117-1000		
8	Impeller w/Teflon/Ryton/Carbon Bushing	Polypropylene	Kynar (Option)	316 Stainless (Option)		1	0155-0159-0500	0155-0160-0500	0155-0112-0300
9	Impeller w/Carbon Bushing	Polypropylene (Option)	Kynar	316 Stainless		1	0155-0159-0200	0155-0160-0200	0155-0112-0400
10	Impeller w/Mica Teflon Bushing	Polypropylene (Option)	Kynar (Option)	316 Stainless (Option)		1	0155-0159-0400	0155-0160-0400	0155-0112-0800
11	Rear Housing w/Ceramic Thrust Washer	Ryton	Kynar			1	0155-0067-0100	0155-0124-0100	
	Rear Housing			316 Stainless		1			0155-0035-0000
12	Drive Magnet					1	0155-0130-0200		
13	Motor Bracket	Plastic				1	0155-0092-0100		
14	Screw	Stainless			3/8-16 x 3/4 Lg.	4	0155-0017-1000		
15	Washer	Stainless			3/8 ID x 5/8 OD	4	0155-0019-1000		
16	Motor, TEFC, 3/4 HP, 1 Phase, 115/230V, 50/50Hz					1	0155-0016-1000		
17	Motor, TEFC, 1 HP, 1 Phase, 115/230V, 50/60Hz					1	0155-0173-1000		
18	Motor, TEFC, 3/4 HP, 3 Phase, 230/460V, 50/60Hz					1	0155-0022-1000		
19	Motor, TEFC, 1 HP, 3 Phase, 230/460V, 50/60Hz					1	0155-0174-1000		
W	Wet End Kit	1, 2, 3, 4, 6, 7, 8, 11				1	0155-0165-0100		
W	Wet End Kit	1, 2, 3, 4, 6, 7, 9, 11				1		0155-0166-0100	

NOTE: Contact Factory for other materials and/or parts not listed.

Explosion proof & special voltage motors are available upon special order.

0155-0046-1000 R24