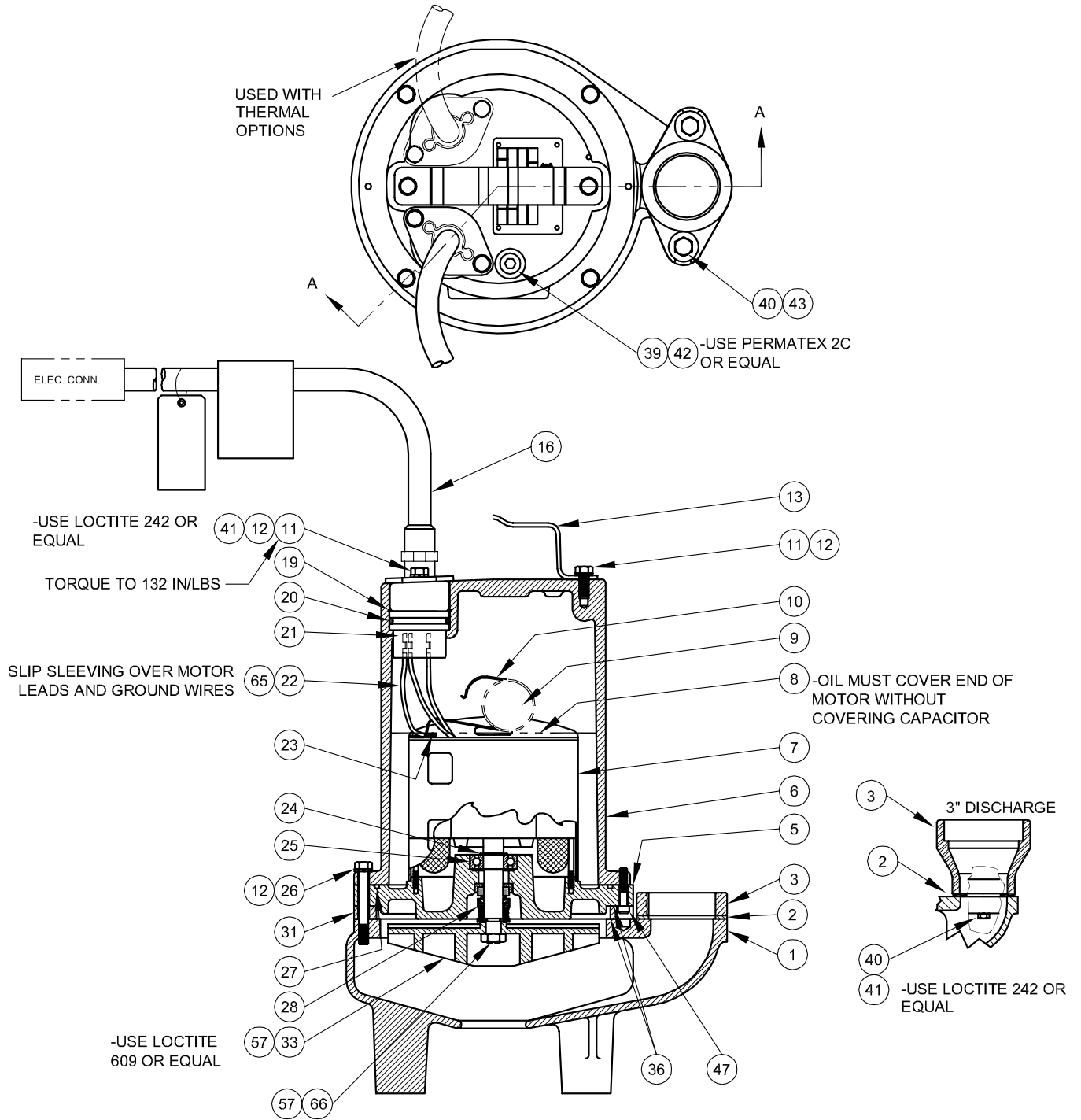


### 2SEV- L & 3SEV- L Series, Single Seal



### 2SEV- L & 3SEV- L Series, Single Seal

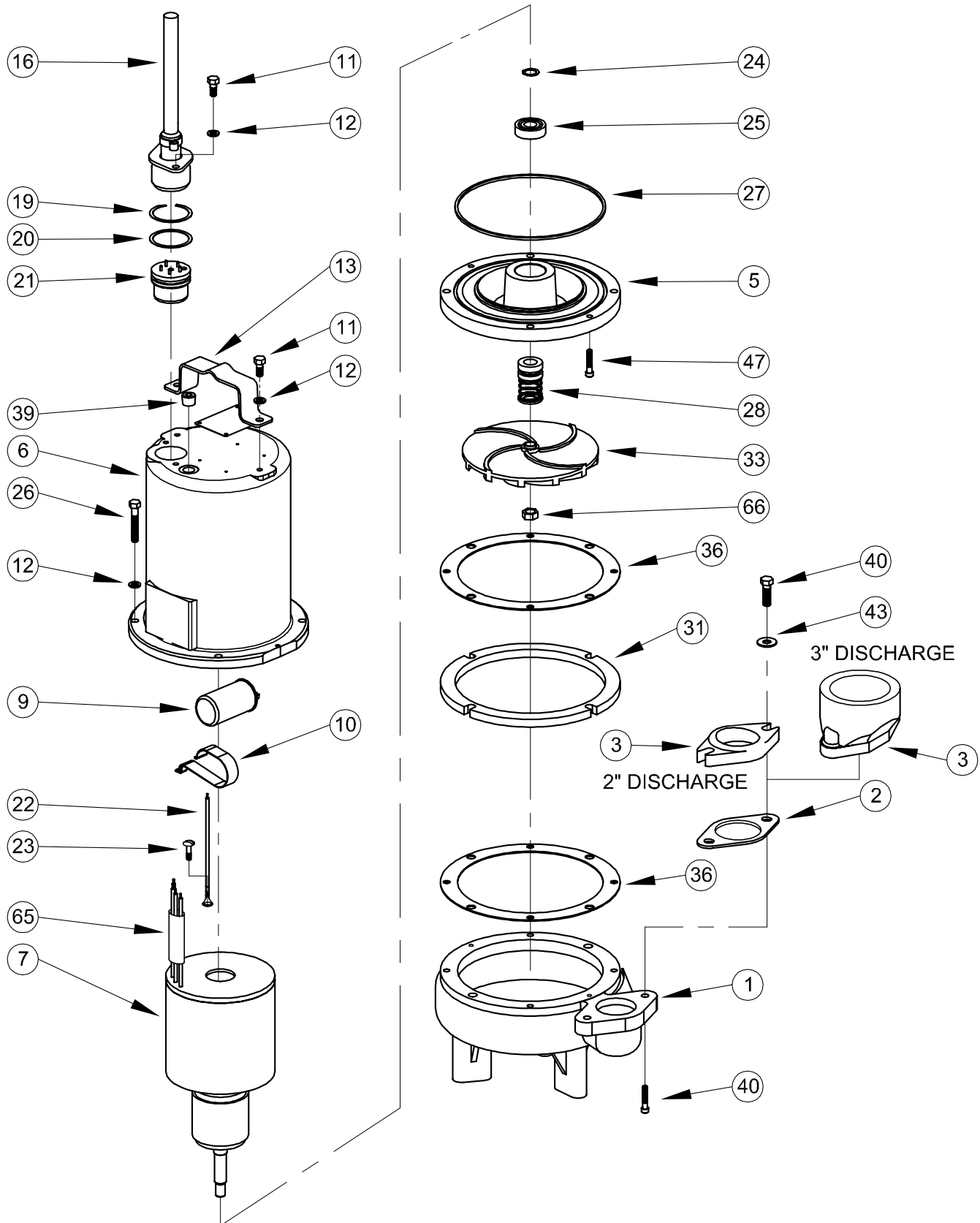


FIGURE 16

## PARTS KITS

### Seal Repair Kits:

**Single Seal .....P/N - 117600** (†) 2, 12, 26, 27, 28, 36

**Double Seal .....P/N - 117601** (♦) 2, 12, 26, 27, 28, 32, 36.

**Pressure Gauge Kit .. .....P/N - 085343**

## PARTS LIST

ITEM	QTY.	PART NO.	DESCRIPTION	
1	1	055400	Volute	
2	1	069140	†♦ Gasket	
3	1	026210	Flange, 2" Discharge	
		105153	Flange, 3" Discharge	
4	2	003217	Pipe Plug	All double seal (Std), .25" NPT, ZP
	2	039383	Moisture Sensor Probes	(Optional) for moisture sensor
5	1	084343	Seal Plate	All single seal
		084429		All double seal
6	1	105196	Motor Housing	(Std)
		105196HA		(Optional) for moisture and temp. sensors
7	1		<b>Motor:</b>	
		115927D	2SEV1522DS, 2SEV2022DS, 3SEV1522DS, 3SEV2022DS	
		115928D	2SEV1592DS, 2SEV2092DS, 3SEV1592DS, 3SEV2092DS	
		115928D	2SEV1542DS, 2SEV2042DS, 3SEV1542DS, 3SEV2042DS	
		115929D	2SEV1552DS, 2SEV2052DS, 3SEV1552DS, 3SEV2052DS	
		115927S	2SEV1522L, 2SEV2022L, 3SEV1522L, 3SEV2022L	
		115928S	2SEV1592L, 2SEV2092L, 3SEV1592L, 3SEV2092L	
		115928S	2SEV1542L, 2SEV2042L, 3SEV1542L, 3SEV2042L	
		115929S	2SEV1552L, 2SEV2052L, 3SEV1552L, 3SEV2052L	
8	96oz	029034	Oil	All single seal
	120oz	029034	Oil	All double seal (Includes 24oz. in Seal Chamber)
9	1	036391	Capacitor	1 Phase,
10	1	039858	Capacitor Bracket	1 Phase
11	4	1-129-1	Hex. Hd. Cap Screw	(Std), 5/16-18 x .75" Lg., Stainless
	6	1-129-1	Hex. Hd. Cap Screw	(Optional) for moisture and temp. sensors
12	8	026322	†♦ Lockwasher	(Std), 5/16, Stainless
	10	026322	Lockwasher	(Optional) for moisture and temp. sensors
13	1	103503	Handle	
16	1	See Table 2	Power Cord Set	
19	1	105197	Snap Ring	(Std)
	2	105197	Snap Ring	(Optional) for moisture and temp. sensors
20	1	2-31051-224	O-ring	(Std)
	2	2-31051-224	O-ring	(Optional) for moisture and temp. sensors
21	1	103760	Terminal Block	1 Phase
		103583		3 Phase
22	1	105111	Ground Wire Assembly	3 Phase
	1	105111A	Ground Wire Assembly	1 Phase
	2	105111	Ground Wire Assembly	(Optional) for moisture and temp. sensors
23	1	016660	Screw, Self Tapping	#8-32 x .375" Lg., Stainless
24	1	061143	Retaining Ring	
25	1	039734	Bearing	
26	4	1-158-1	†♦ Cap Screw	All single seal, 5/16-18 x 2.50" Lg., Stainless
		0116491		All double seal
27	1	027269	†♦ Square Ring	All single seal
	2	027269	Square Ring	All double seal
28	1		†♦ <b>Shaft Seal:</b> (Qty 2 for DS)	
		067562	Carbon/Ceramic/Buna-N (STD)	
		067562SB	Tungsten/Tungsten/Buna-N	
		067562SD	Silicon Carbide/Silicon Carbide/Buna-N	
		067562SF	Carbon/Ceramic/Viton	
		067562SH	Tungsten/Tungsten/Viton	
		067562SK	Silicon Carbide/Silicon Carbide/Viton	
		067562SM	Silicon Carbide/Tungsten/Buna-N	
		067562SN	Carbon/Ni-Resistant/Buna-N	
		067562SP	Carbon/Ni-Resistant/Neoprene	
29	1	115943	Seal Housing	All double seal

31	1	105145	Spacer Ring	
32	1	2-27008-62	◆ Retaining Ring	All double seal
33	1		<b>Impeller, Brass</b>	
		107032TE		4.62 Dia. (STD for a 2.0 HP)
		107032TF		4.50 Dia.
		107032TG		4.37 Dia. (STD for a 1.5 HP)
		107032TH		4.25 Dia.
		107032TJ		4.12 Dia.
		107032TK		4.00 Dia.
		107032TL		3.88 Dia.
36	2	027344	†◆ Gasket	
39	1	014270	Pipe Plug	.375" NPT, ZP
40	2	1-36-1	Hex. Hd. Cap Screw	2" Discharge, 3/8-16 x 1.25" Lg., Stainless
		1-131-1	Hex. Hd. Cap Screw	3" Discharge, 5/16-18 x 1.25" Lg., Stainless
41	A/R	-----	Loctite 242	
42	A/R	-----	Permatex 2C	
43	2	082727	Washer	2" Discharge, 3/8" Stainless
44	1	003217	Pipe Plug	All double seal, .25" NPT, ZP
45	2	5-32-6	Screw	(Optional) for moisture sensor, #6-32 x .25" Lg., ZP
46	2	052563	Lockwasher	(Optional) for moisture sensor #6 Stl.
47	2	084948	Socket Head Screw	1/4-20 x 1.25" Lg., Stainless
48	1	105150	Terminal Connector	200-240V, 3Ph
	3	625-00163	Terminal Connector	480V, 3PH
48A	3	085078	Blue-Butt Connector	480V, 3PH
49	3	105149	Wire Assembly	200-240V, 3Ph
50	1	051621	Thermal Sensor	(Optional) for temperature sensor, (Not Shown)
51	2	105155	Wire Assembly	(Optional) for temperature sensor, (Not Shown)
52	2	625-00163	Terminal Connector	(Optional) for temperature sensor, (Not Shown)
53	2	105106	Wire Assembly	(Optional) for moisture sensor
54	1	103584	Terminal Block	Temperature sensor options
		103585		Moisture and temp. sensor options
56	1	See Table 2	Control Cord	(Optional) for moisture and/or temp. sensors
56a	1	103582	Compression Flange	Included with Cord Set
57	A/R		Loctite 609	
64	2	030337	Socket Head Cap Screw	Double seal Only, 1/4-20 x 2" Lg., Stainless
65	1	625-02117	Sleeve, Fiberglass	
66	1	01404-A	Jam Nut	5/8-18, SS

**TABLE 2 - POWER & SENSOR CORD SETS**

CABLE LENGTH	ITEM #16 240 VOLT 1 PHASE	ITEM #16 3 PHASE	ITEM #56 (OPTIONAL) Temperature - 3 Phase	ITEM #56 (OPTIONAL) Moisture and Temperature Sensor 3 Phase or Moisture Sensor
8 FT	----	103742A	103741A	113288A
15 FT	109498	103742	103741	113288
20 FT (Std)	109498XA	103742XA	103741XA	113288XA
30 FT	109498XC	103742XC	103741XC	113288XC
50 FT	109498XF	103742XF	103741XF	113288XF
75 FT	109498XJ	103742XJ	103741XJ	113288XJ
100 FT	109498XL	103742XL	103741XL	113288XL