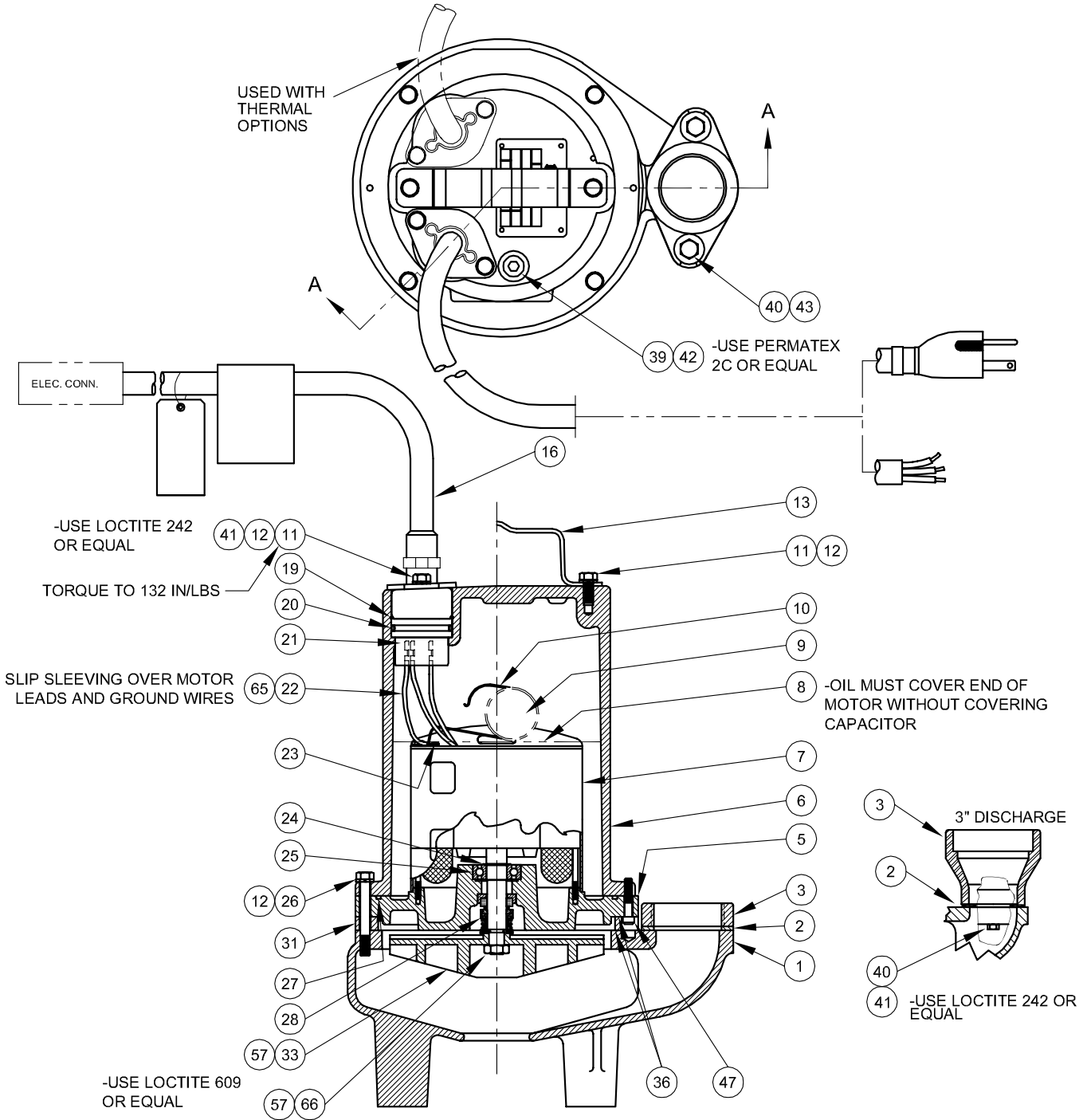


2SEV- L & 3SEV- L Series, Single Seal



2SEV- L & 3SEV- L Series, Single Seal

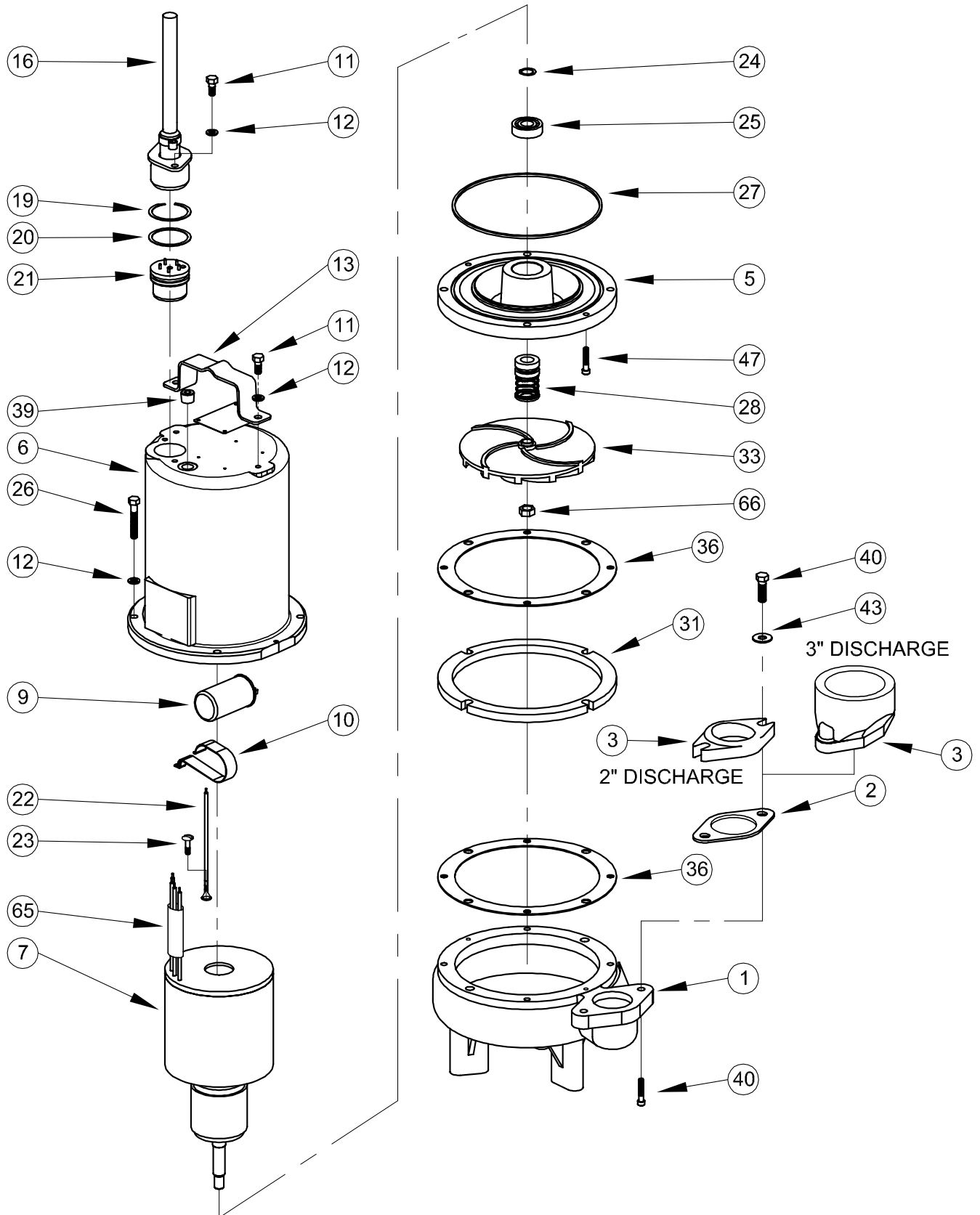


FIGURE 16

PARTS KITS

Seal Repair Kits:

Single SealP/N - 107276 (†) 2, 28, 36

Double SealP/N - 107279 (‡) 2, 27, 28, 32, 36

Seal Tool KitP/N - 107271

Pressure Gauge KitP/N - 085343

PARTS LIST

ITEM	QTY.	PART NO.	DESCRIPTION	
1	1	055400	Volute	
2	1	069140	†‡ Gasket	
3	1	026210	Flange, 2" Discharge	
		105153	Flange, 3" Discharge	
4	2	003217	Pipe Plug	All double seal (Std), .25" NPT, ZP
	2	039383	Moisture Sensor Probes	(Optional) for moisture sensor
5	1	084532	Seal Plate	All single seal
		084906		All double seal
6	1	105196	Motor Housing	(Std)
		105196HA		(Optional) for moisture and temp. sensors
7	1		Motor:	
		030369BS	2SEV514L, 3SEV514L	
		030369BD	2SEV514DS, 3SEV514DS	
		030370BS	2SEV524L, 3SEV524L	
		030370BD	2SEV524DS, 3SEV524DS	
		071352BS	2SEV594L, 3SEV594L, 2SEV544L, 3SEV544L	
		071352BD	2SEV594DS, 3SEV594DS, 2SEV544DS, 3SEV544DS	
		092854BS	2SEV554L, 3SEV554L	
		092854BD	2SEV554DS, 3SEV554DS	
		029792BS	2SEV724L, 3SEV724L, 2SEV1024L, 3SEV1024L	
		029792BD	2SEV724DS, 3SEV724DS, 2SEV1024DS, 3SEV1024DS	
		071354BS	2SEV794L, 2SEV744L, 3SEV794L, 3SEV744L, 2SEV1094L, 2SEV1044L, 3SEV1094L, 3SEV1044L	
		071354BD	2SEV794DS, 2SEV744DS, 3SEV794DS, 3SEV744DS, 2SEV1094DS, 2SEV1044DS	
		071354BD	3SEV1094DS, 3SEV1044DS	
		092855BS	2SEV754L, 3SEV754L, 2SEV1054L, 3SEV1054L	
		092855BD	2SEV754DS, 3SEV754DS, 2SEV1054DS, 3SEV1054DS	
		068926BS	2SEV512L, 3SEV512L	
		068926BD	2SEV512DS, 3SEV512DS	
		068927BS	2SEV522L, 3SEV522L	
		068927BD	2SEV522DS, 3SEV522DS	
		068928BS	2SEV1022L, 3SEV1022L	
		068928BD	2SEV1022DS, 3SEV1022DS	
		071355BS	2SEV532L, 2SEV542L, 2SEV562L, 3SEV532L, 3SEV542L, 3SEV562L, 2SEV1032L	
		071355BS	2SEV1042L, 2SEV1062L, 3SEV1032L, 3SEV1042L, 3SEV1062L	
		071355BD	2SEV532DS, 2SEV542DS, 2SEV562DS, 3SEV532DS, 3SEV542DS, 3SEV562DS	
		071355BD	2SEV1032DS, 2SEV1042DS, 2SEV1062DS, 3SEV1032DS, 3SEV1042DS, 3SEV1062DS	
		067463FBS	2SEV552L, 3SEV552L, 2SEV1052L, 3SEV1052L	
		067463FBD	2SEV552DS, 3SEV552DS, 2SEV1052DS, 3SEV1052DS	
8	96oz	029034	Oil	All single seal
	120oz	029034	Oil	All double seal (Includes 24oz. in Seal Chamber)
9	1	034964*	Capacitor	1750RPM, 1 Phase, (30mfd)
		079065	Capacitor	3450 RPM, 1 Phase
10	1	039858	Capacitor Bracket	1 Phase
11	4	1-156-1	Hex. Hd. Cap Screw	(Std), 5/16-18 x 1.00" Lg., Stainless
	6	1-156-1	Hex. Hd. Cap Screw	(Optional) for moisture and temp. sensors
12	8	026322	Lockwasher	(Std), 5/16, Stainless
	10	026322	Lockwasher	(Optional) for moisture and temp. sensors
13	1	103503	Handle	
16	1	See Table 2	Power Cord Set	
19	1	105197	Snap Ring	(Std)
	2	105197	Snap Ring	(Optional) for moisture and temp. sensors
20	1	2-31051-224	O-ring	(Std)
	2	2-31051-224	O-ring	(Optional) for moisture and temp. sensors

* Units with build code date (see section G-4) before -0901 may use capacitor part number, 070963 or the 034964 part number.

21	1	103584	Terminal Block	1 Phase
		103583		3 Phase
22	1	105111	Ground Wire Assembly	Std
	2	105111	Ground Wire Assembly	(Optional) for moisture and temp. sensors
23	1	016660	Screw, Self Tapping	#8-32 x .375" Lg., Stainless
24	1	085326	Retaining Ring	
25	1	017414	Bearing	
26	4	1-158-1	†◆ Cap Screw	All single seal, 5/16-18 x 2.50" Lg., Stainless
		0116491		All double seal
27	1	027269	†◆ Square Ring	All single seal
	2	027269	Square Ring	All double seal
28	1		†◆ Shaft Seal: (Qty 2 for DS)	
		005080	Carbon/Ceramic/Buna-N (STD)	
		005080SB	Tungsten/Tungsten/Buna-N	
		005080SD	Silicon Carbide/Silicon Carbide/Buna-N	
		005080SF	Carbon/Ceramic/Viton	
		005080SH	Tungsten/Tungsten/Viton	
		005080SK	Silicon Carbide/Silicon Carbide/Viton	
		005080SM	Silicon Carbide/Tungsten/Buna-N	
		005080SN	Carbon/Ni-Resistant/Buna-N	
		005080SP	Carbon/Ni-Resistant/Neoprene	
		082850	Carbon/Ni-Resistant/Viton	
29	1	103587	Seal Housing	All double seal
31	1	105145	Spacer Ring	
32	1	2-27008-62	◆ Retaining Ring	All double seal
33	1		Impeller, Cast Iron, 3450RPM	
		105144TH	4.25 Dia. (STD for a 1.0 HP)	
		105144TJ	4.13 Dia.	
		105144TK	4.00 Dia.	
		105144TL	3.88 Dia.	
		105144TM	3.75 Dia. (STD for a .5 HP)	
		105144TN	3.63 Dia.	
		105144TP	3.50 Dia.	
		105144TQ	3.38 Dia.	
		105144TR	3.25 Dia.	
			Impeller, Cast Iron, 1750RPM	
		105152TB	6.75 Dia. (STD for a 1.0 HP)	
		105152TC	6.63 Dia.	
		105152TD	6.50 Dia.	
		105152TE	6.38 Dia.	
		105152TF	6.25 Dia.	
		105152TG	6.13 Dia.	
		105152TH	6.00 Dia. (STD for a .75 HP)	
		105152TJ	5.88 Dia.	
		105152TK	5.75 Dia.	
		105152TL	5.63 Dia.	
		105152TM	5.50 Dia.	
		105152TN	5.38 Dia. (STD for a .5 HP)	
		105152TP	5.25 Dia.	
		105152TQ	5.13 Dia.	
		105152TR	5.00 Dia.	
36	2	027344	†◆ Gasket	
39	1	014270	Pipe Plug	.375" NPT, ZP
40	2	1-36-1	Hex. Hd. Cap Screw	2" Discharge, 3/8-16 x 1.25" Lg., Stainless
		1-131-1	Hex. Hd. Cap Screw	3" Discharge, 5/16-18 x 1.25" Lg., Stainless
41	A/R	-----	Loctite 242	
42	A/R	-----	Permatex 2C	
43	2	082727	Washer	2" Discharge, 3/8" Stainless
44	1	003217	Pipe Plug	All double seal, .25" NPT, ZP
45	2	5-32-6	Screw	(Optional) for moisture sensor, #6-32 x .25" Lg., ZP
46	2	052563	Lockwasher	(Optional) for moisture sensor #6 Stl.
47	2	084948	Socket Head Screw	1/4-20 x 1.25" Lg., Stainless
48	1	105150	Terminal Connector	200-240V, 3Ph
	3	625-00163	Terminal Connector	480V, 3PH
49	3	105149	Wire Assembly	200-240V, 3Ph
50	1	051621	Thermal Sensor	(Optional) for temperature sensor, (Not Shown)
51	2	105155	Wire Assembly	(Optional) for temperature sensor, (Not Shown)

52	2	625-00163	Terminal Connector	(Optional) for temperature sensor, (Not Shown)
53	2	105106	Wire Assembly	(Optional) for moisture sensor
54	1	103584	Terminal Block	Temperature sensor options
		103585		Moisture and temp. sensor options
56	1	See Table 2	Control Cord	(Optional) for moisture and/or temp. sensors
56a	1	103582	Compression Flange	Included with Cord Set
57	A/R		Loctite 609	
64	2	030337	Socket Head Cap Screw	Double seal Only, 1/4-20 x 2" Lg., Stainless
65	1	625-02117	Sleeve, Fiberglass	
66	1	030068	Jam Nut	1/2-20, SS

TABLE 2 - POWER & SENSOR CORD SETS						
CABLE LENGTH	ITEM #16 240 VOLT 1 PHASE	ITEM #16 240 VOLT 1 PHASE 0.5HP	ITEM #16 240 VOLT 1 PHASE 0.75 & 1HP	ITEM #16 3 PHASE	ITEM #56 (OPTIONAL) Temperature 3 Phase	ITEM #56 (OPTIONAL) Moisture and Temperature Sensor 3 Phase or Moisture Sensor
8 FT	103756A	-----	103741A	103742A	103741A	103740A
15 FT (Std)	103756	110949	103741	103742	103741	103740
20 FT	103756XA	110949XA	103741XA	103742XA	103741XA	103740XA
30 FT	103756XC	110949XC	103741XC	103742XC	103741XC	103740XC
50 FT	103756XF	110949XF	103741XF	103742XF	103741XF	103740XF
75 FT	103756XJ	110949XJ	103741XJ	103742XJ	103741XJ	103740XJ
100 FT	103756XL	110949XL	103741XL	103742XL	103741XL	103740XL