

Contents

Item No.	Specifications	Selection Chart	Performance Curve	Pump Dimensions	Sectional View
EVMU3	803	805	806	816	824, 825
EVMU5			807		826, 827
EVMU10			808	818	830-832
EVMU18			809		833-835
EVMUG32	804		810	820, 822	840
EVMUG45			811		842
EVMUG64			812	821	
EVMUL3	803		806	816	824, 825
EVMUL5			807		826, 827
EVMUL10			808	818	830-832
EVMUL18			809		833-835
EVMUL32	804		810	820, 822	840
EVMUL45		811	842		
EVMUL64		812	821		



***Note:** * NSF/ANSI 61 Annex G listed models: EVMU3-18, EVMUL all models 3-64

Certified to
NSF/ANSI 61, ANNEX G

Features

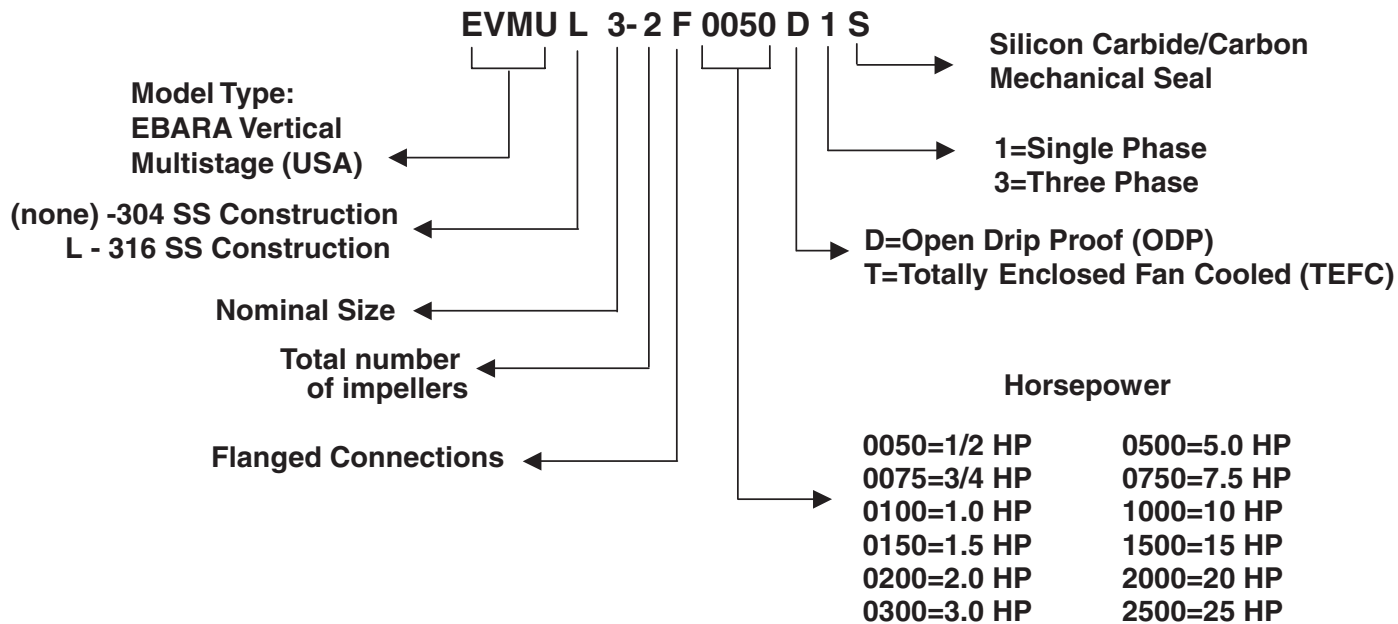
- **Standard NEMA motors**
- **Integral thrust bearing on 5 HP and larger pumps to handle axial thrust loads**
- **Air vent** in casing cover allows proper venting preventing air entrapment and dry run
- **Liner ring** is a self-aligning, floating design constructed to prevent swelling at high temperatures
- **Tungsten carbide lower pump bearings** and sleeves are standard construction for all services, providing maximum operating life
- **Direct drive** pump and motor shafts are keyed for positive, reliable power transmission with **no adjustments necessary**
- **“Flexible” floating outer casing** allows for thermal expansion in hot water applications, preventing deformation due to pressure fluctuations
- **Anti-erosion measures** – a dish-shaped insert is fitted to the intermediate casing designed to promote smooth flow and prevent high velocity areas that accelerate erosion
- **Square-edge six spline shaft** (EVMU3-18) or twelve spline shaft (EVMU 32-64) provides positive location and drive of impellers eliminating wear
- **Dimensions & flanges** – installation is to market accepted dimensions for easy upgrade of existing installations
- **Mechanical seal** – Silicon/Carbon/Viton mechanical shaft seal
- **Positive Sealing** – O-rings between intermediate casings provide positive sealing and increased efficiencies

Typical Applications

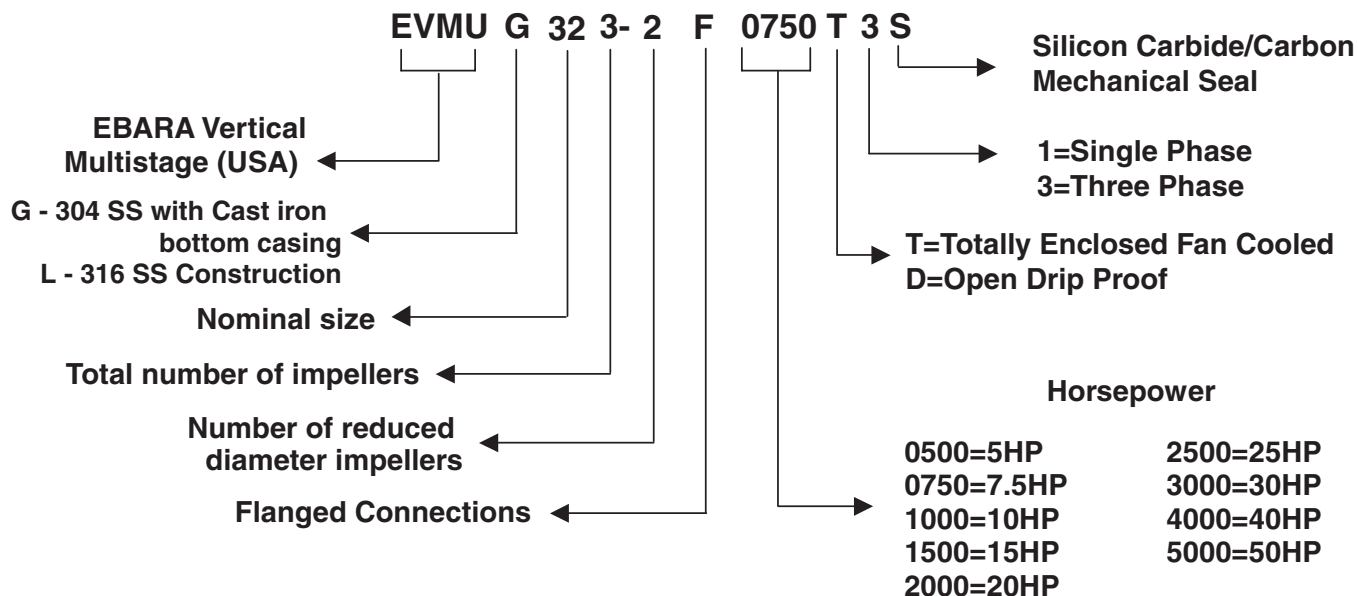
- **Water Supply**
- **Reverse Osmosis**
- **Water Boosting**
- **Washing Systems**
- **Fire Fighting**
- **Water Treatment Plants**
- **Boiler Feed**
- **Hot & Cold Water**
- **Circulation**
- **Irrigation**
- **Sprinkler Systems**
- **Filtration**
- **Heat Exchangers**

Model Designation

Models **EVMU 3, 5, 10, 18**
EVMUL 3, 5, 10, 18



Models **EVMUG 32, 45, 64**
EVMUL 32, 45, 64



Model EVMU / EVMUL
EBARA Stainless Steel Vertical Multistage
Specifications
Models EVMU 3, 5, 10, 18
EVMUL 3, 5, 10, 18

	EVMU	EVMUL
Size		
Suction	ANSI raised face 1 1/4" for EVMU 3 and 5 2" for EVMU 10 and 18	
Discharge	ANSI raised face 1 1/4" for EVMU 3 and 5 2" for EVMU 10 and 18	
Range of HP	1/2 to 25HP	
Range of Performance	at 3450 RPM	
Capacity	4 to 118 GPM	
Head	27 to 830 feet	
Liquid handled	Clean water (<i>for other clean liquids, consult factory</i>)	
Type of liquid	5° to +248°F (-15° to 120°C)	
Temperature	370 PSI (25 Bar) max. (<i>see page 813 for specifics</i>)	
Working pressure		
Materials		
Impeller	AISI 304	AISI 316
Intermediate casing	AISI 304	AISI 316
Bottom casing	AISI 304	AISI 316
Casing cover	AISI 304	AISI 316
Outer casing	AISI 304	AISI 316
Shaft	AISI 316	AISI 316
Liner ring	PTFE/AISI 316	
Motor bracket	Cast iron/304	Cast iron/316
Base	Cast iron/304	Cast iron/316
Pump Bearing	Sealed ball bearing/tungsten carbide	
Shaft Seal	Silicon/Carbide/Carbon/FPM	
Mechanical seal	<i>(see page 814 for construction details)</i>	
Motor		
Type	NEMA C/TC/TSC frame	<i>Consult factory for optional motor types</i>
Speed	60 Hz, 3450 RPM (2 poles)	
Three Phase	208-230/460V	
Direction of Rotation	Clockwise when viewed from motor end	
Test standard	ISO 9906 annex A	

***Note:** * NSF/ANSI 61 Annex G listed models: EVMU3-18, EVMUL all models 3-64

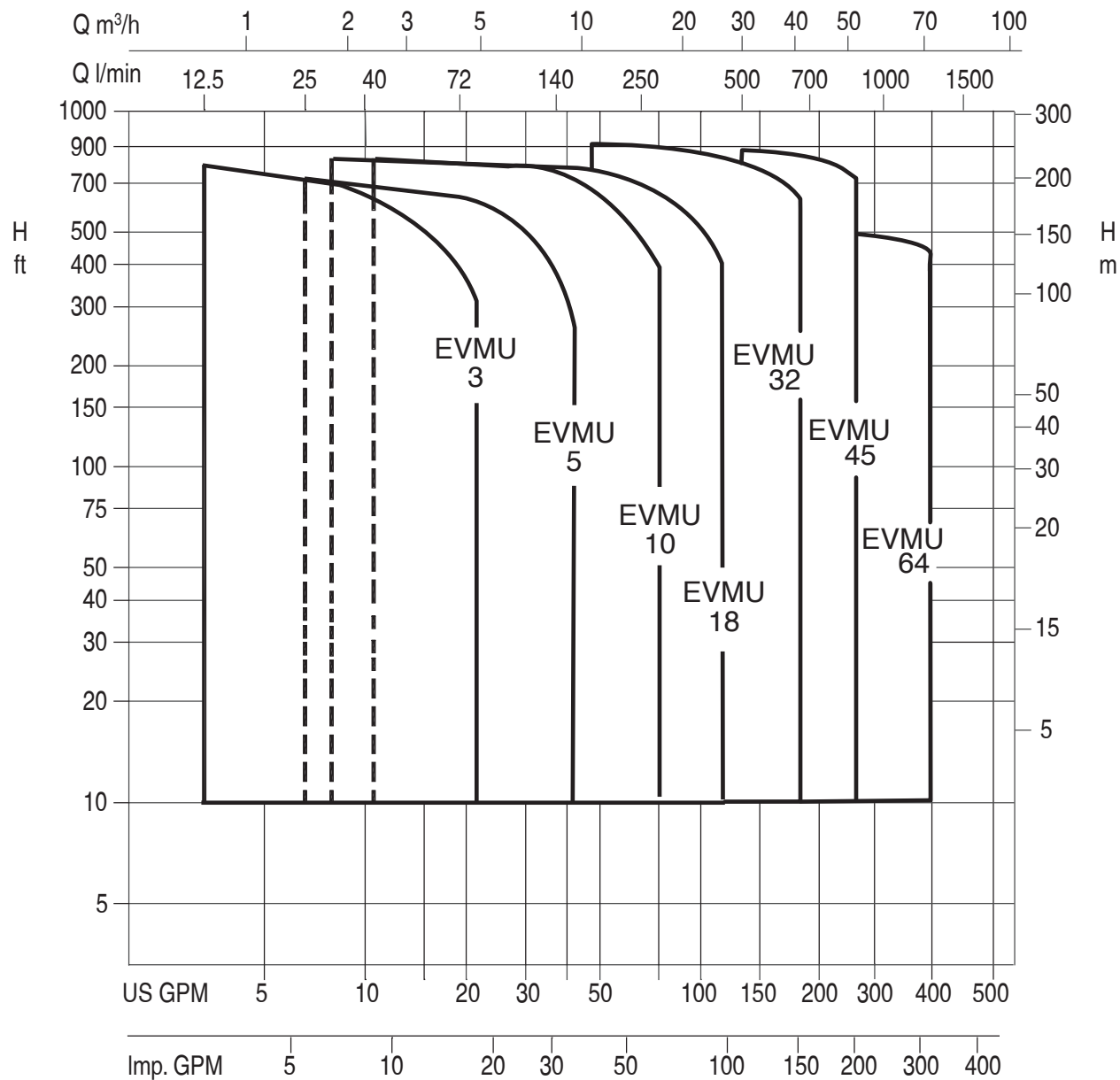
Model EVMUG / EVMUL
EBARA Stainless Steel Vertical Multistage
Specifications
Models EVMUG 32, 45, 64
EVMUL 32, 45, 64

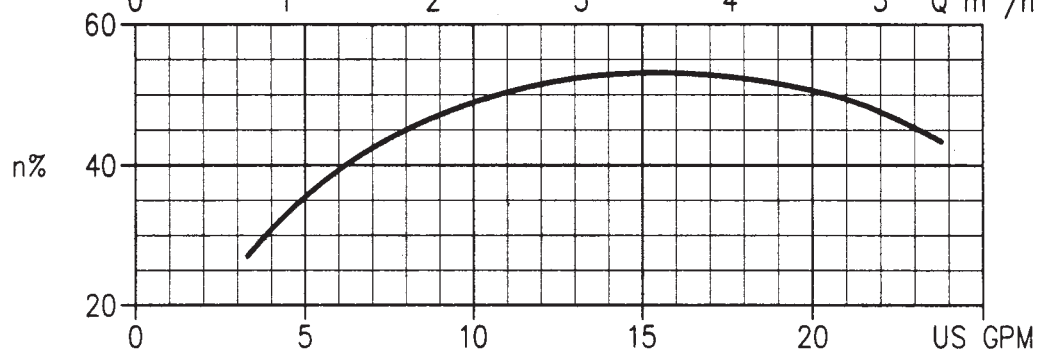
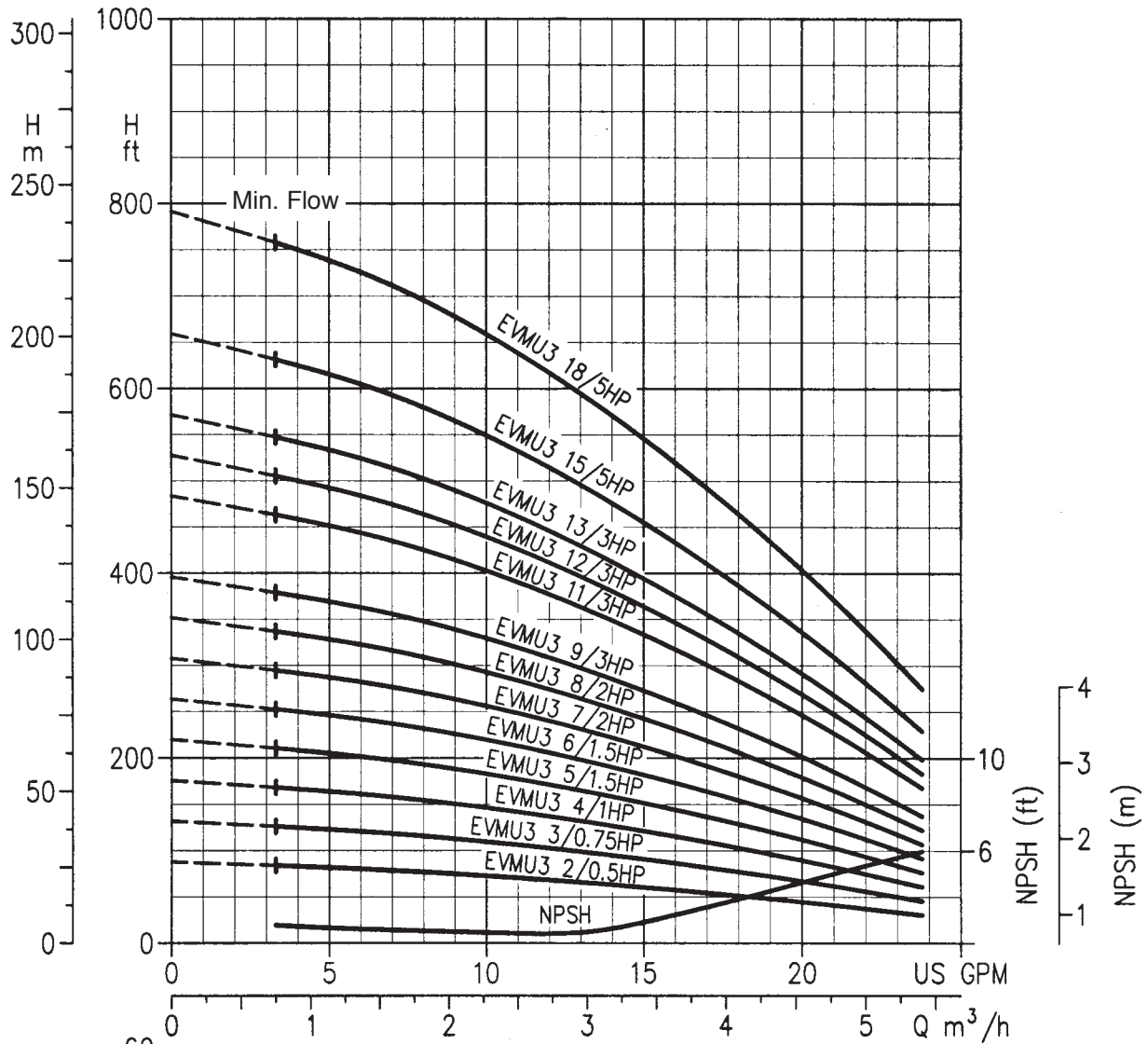
	EVMUG	EVMUL
Size		
Suction	ANSI raised face 2½" for EVMUG32 3" for EVMUG45 4" for EVMUG64	
Discharge	ANSI raised face 2½" for EVMUG32 3" for EVMUG45 4" for EVMUG64	
Range of HP	5 to 50HP	
Range of Performance	at 3450 RPM	
Capacity	66 to 390 GPM	
Head	44 to 930 feet	
Liquid handled		
Type of liquid	Clean water <i>(for other clean liquids, consult factory)</i>	
Temperature	5° to +248°F (-15° to 120°C)	
Working pressure	to 440 PSI (30 Bar) max. <i>(see page 813 for specifics)</i>	
Materials		
Impeller	AISI 304	AISI 316
Intermediate casing	AISI 304	AISI 316
Bottom casing	Cast iron	AISI 316
Casing cover	Cast iron	AISI 316
Outer casing	AISI 304	AISI 316
Shaft	AISI 316	AISI 316
Liner ring	PTFE/AISI 316	
Motor bracket	Cast iron	Cast iron/316
Base	Cast iron	Cast iron/316
Pump Bearing	Thrust Bearing : Sealed Ball Bearing Radial Bearing in wet end: Tungsten Carbide	
Shaft Seal		
Mechanical seal	Silicon/Carbide/Carbon/FPM <i>(see page 815 for construction details)</i>	
Motor		
Type	NEMA TC/TSC frame	<i>Consult factory for optional motor types</i>
Speed	60 Hz, 3450 RPM (2 poles)	
Three Phase	208-230/460V	
Direction of Rotation	Clockwise when viewed from motor end	
Test standard	ISO 9906 annex A	

***Note:** * NSF/ANSI 61 Annex G listed models: EVMUL all models 3-64

Selection chart

60 Hz, Synchronous Speed 3450 RPM





Water Temperature: 20° C (68° F)

Model EVMU / EVMUL

EBARA Stainless Steel Vertical Multistage

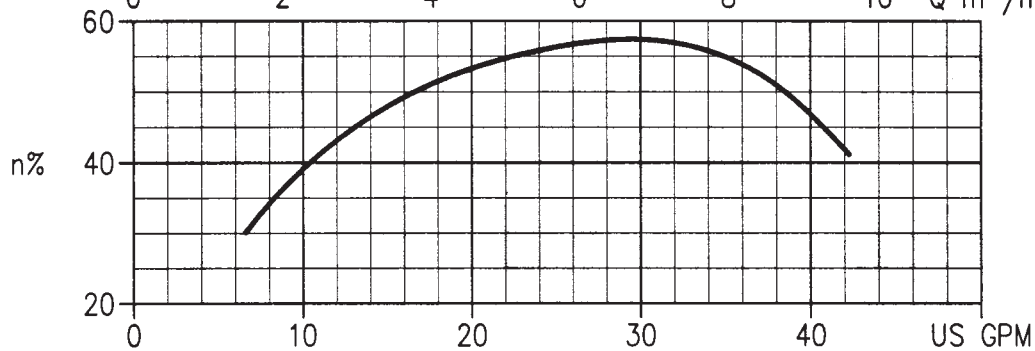
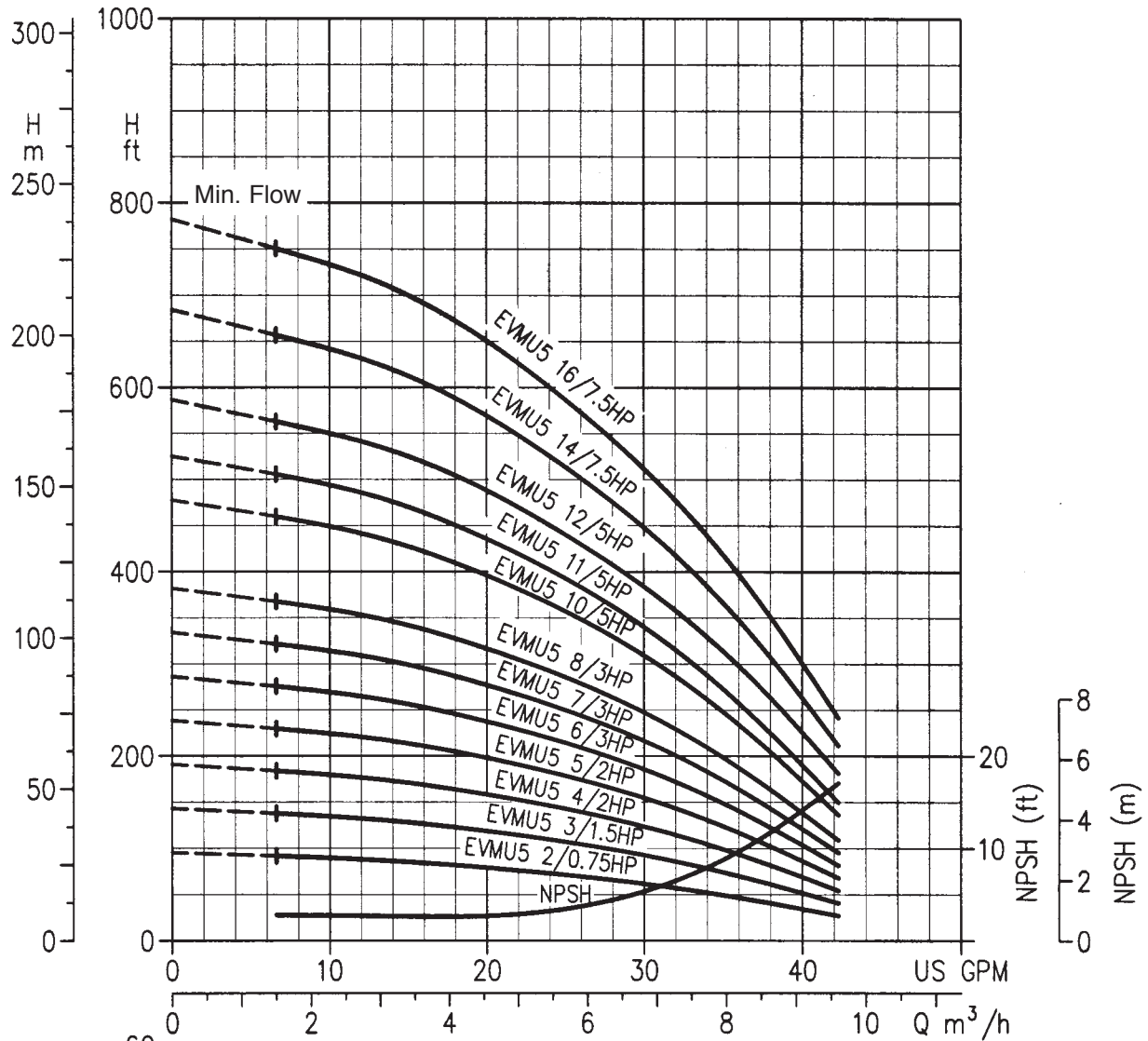
Performance Curves

EVMU5 3/4 HP - 7 1/2 HP

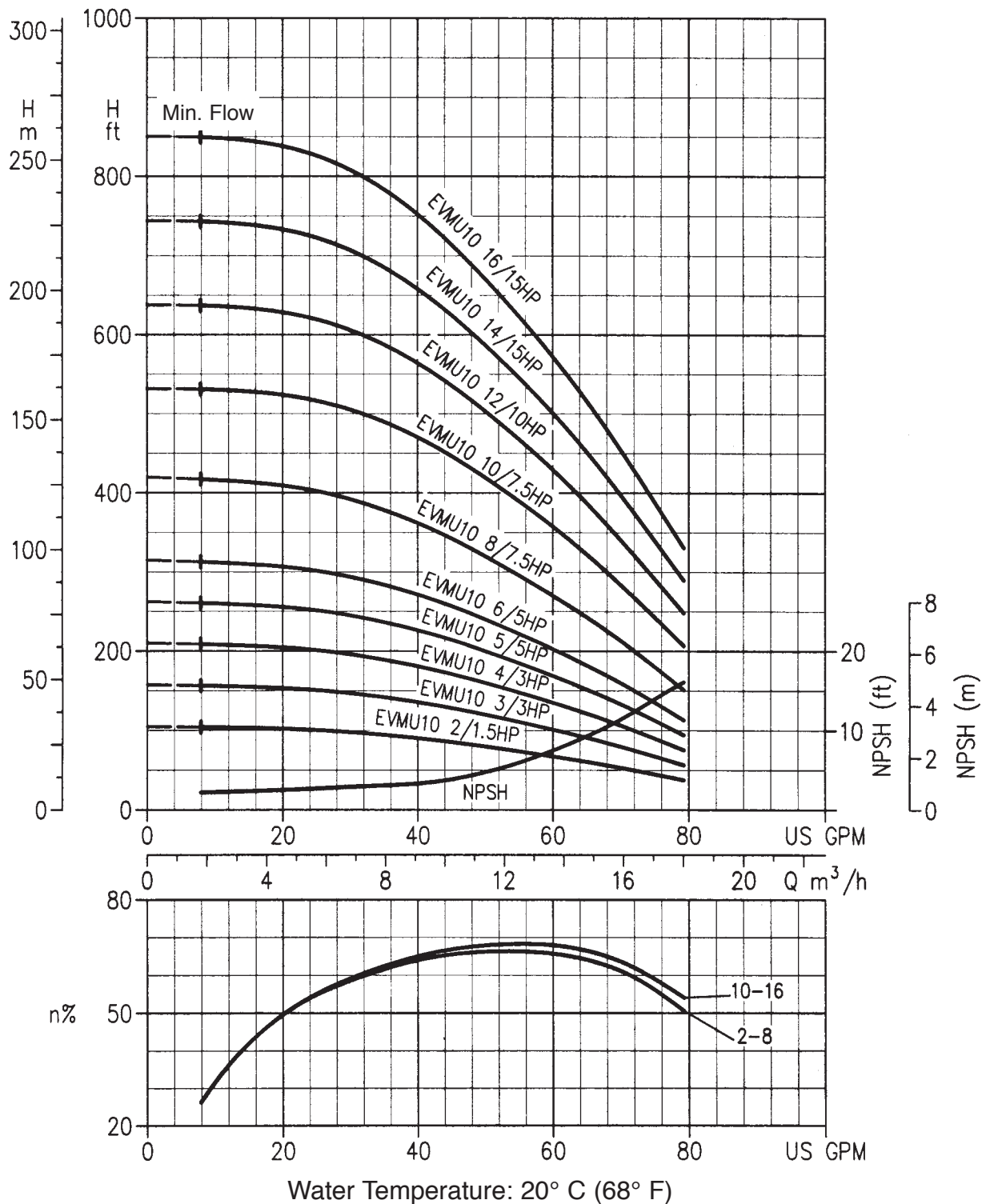
EVMU5 2 - EVMU5 16

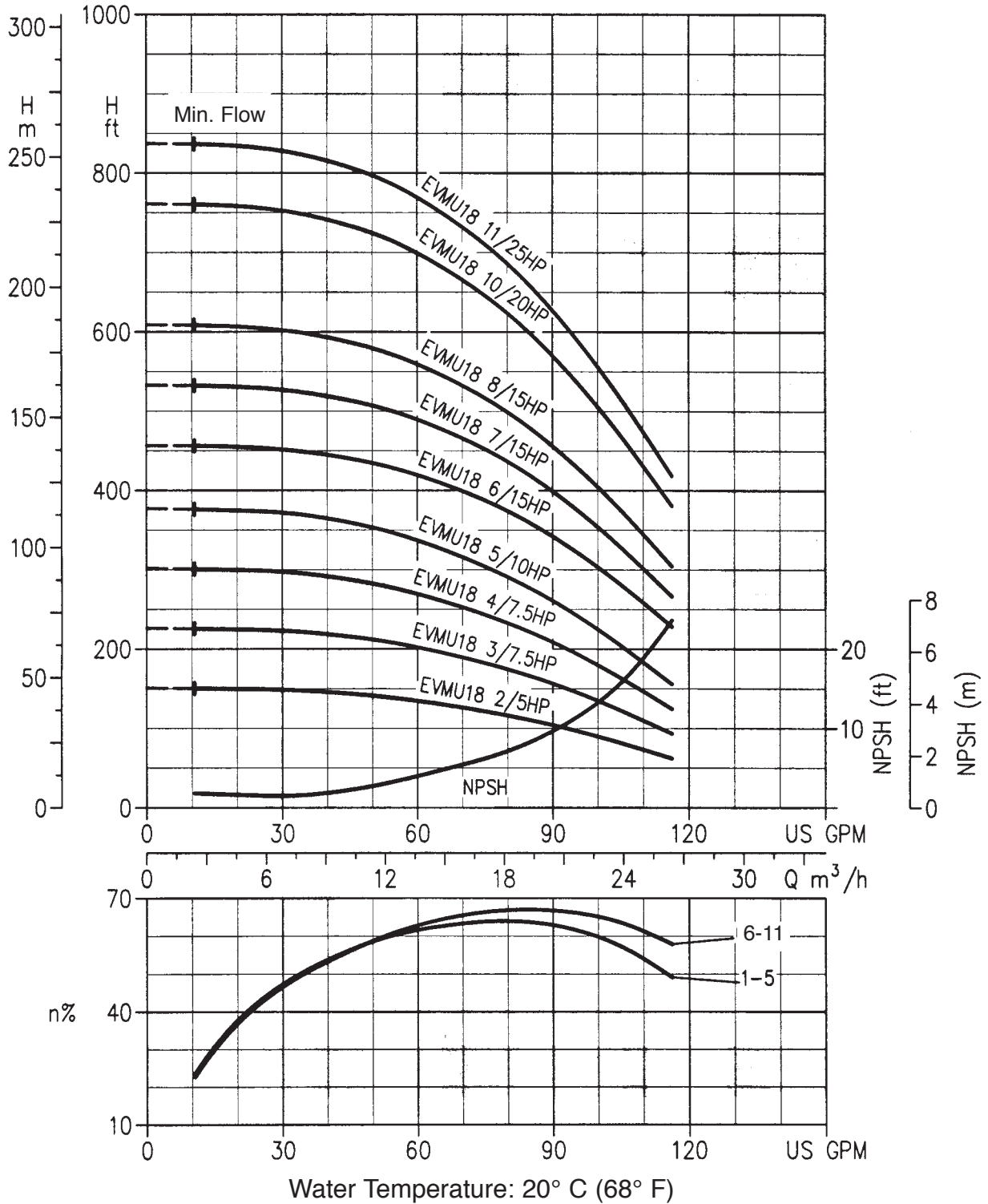
Synchronous Speed: 3450 RPM

250# ANSI 1 1/4" 4-Bolt



Water Temperature: 20° C (68° F)





Model EVMUG / EVMUL

EBARA Stainless Steel Vertical Multistage

Performance Curves

EVMU32 5HP - 40HP

EVMU32 1 – EVMU32 4-3

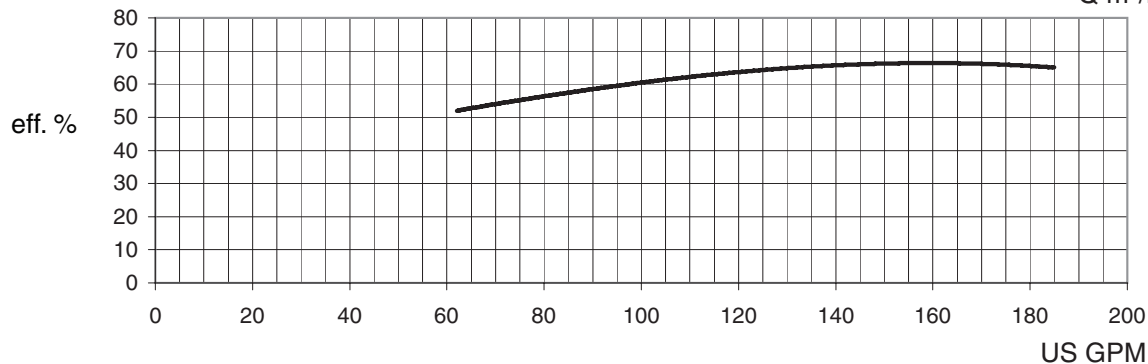
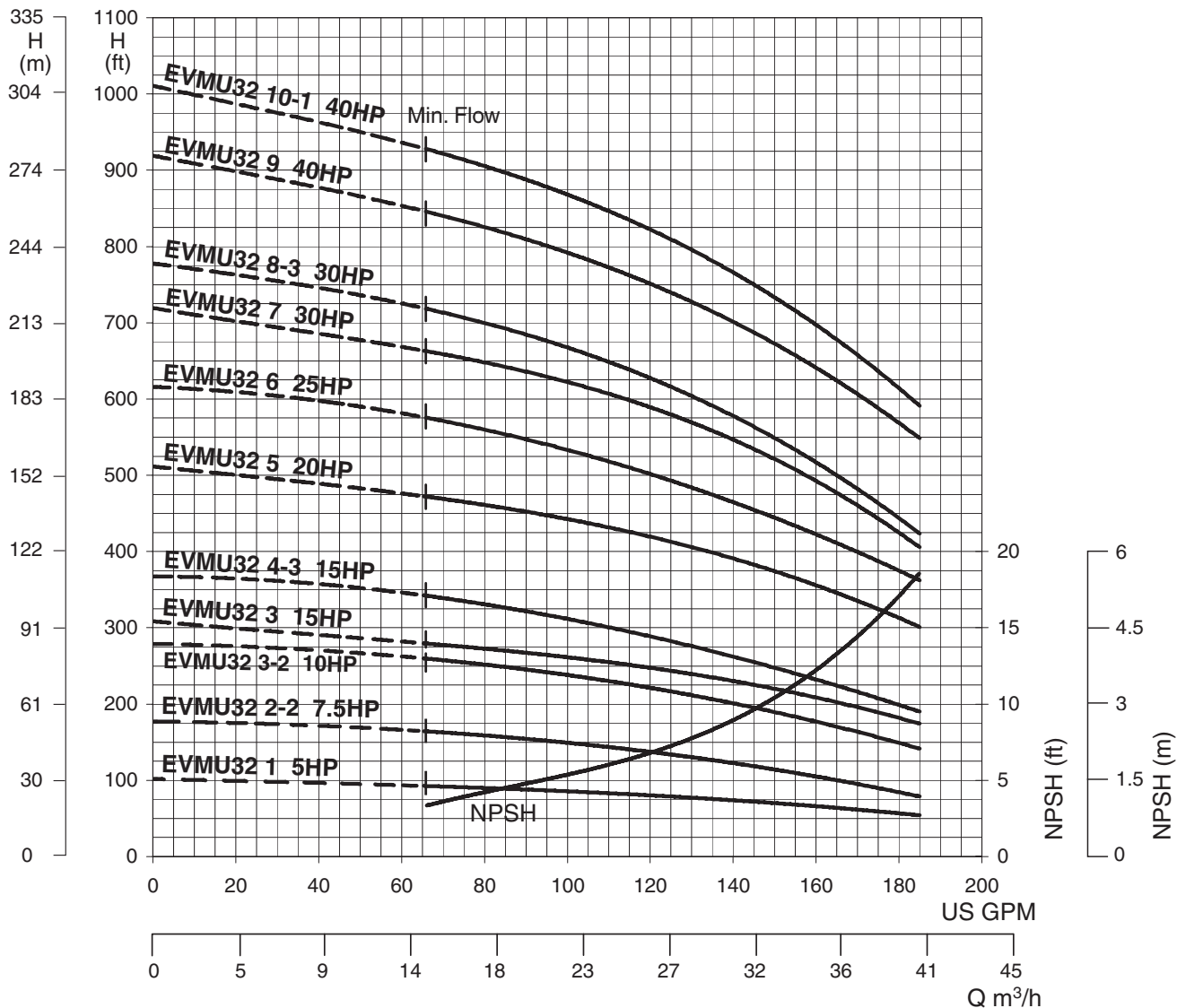
3500RPM

150# ANSI 2½" 4-Bolt

EVMU32 5 – EVMU32 10-1

3500RPM

300# ANSI 2½" 8-Bolt



Water Temperature: 20° C (68° F)



Model EVMUG / EVMUL
Performance Curves

EBARA Stainless Steel Vertical Multistage
EVMU45 7.5HP - 50HP

EVMU45 1-1 – EVMU45 3

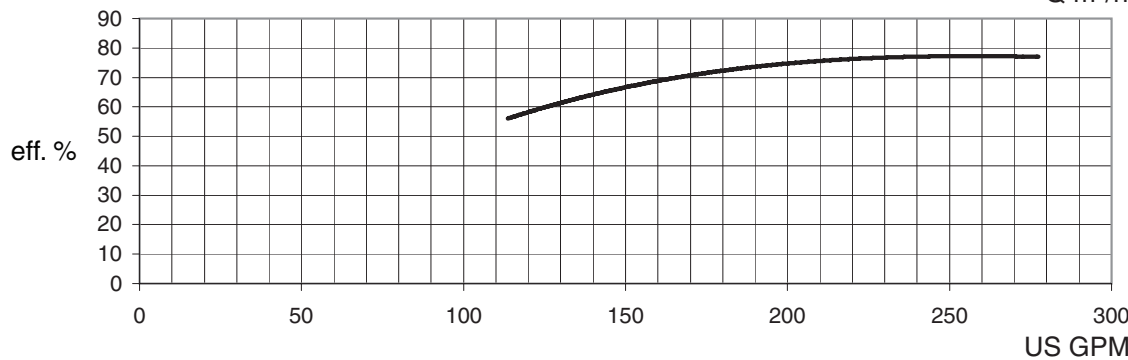
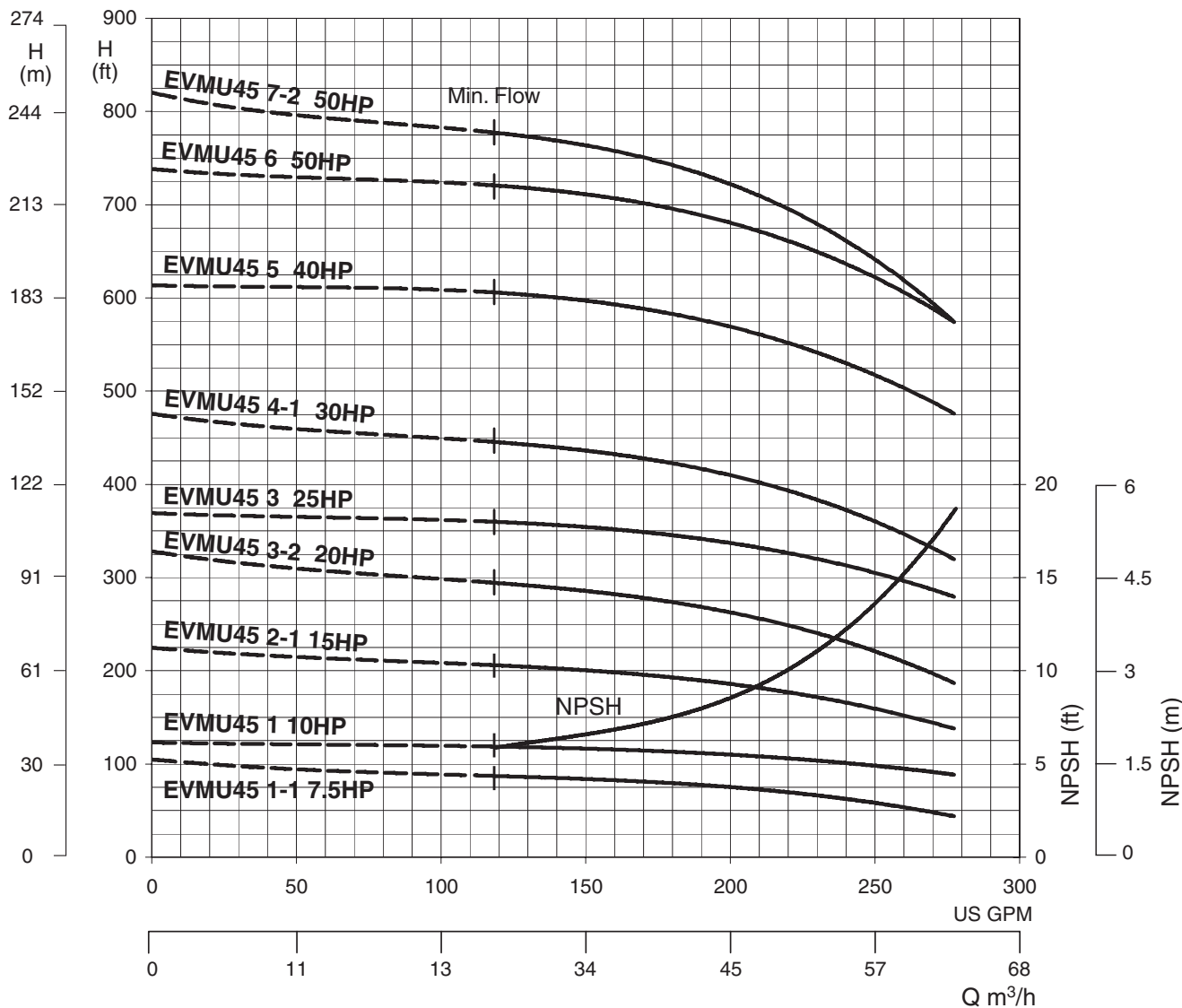
3500RPM

150# ANSI 3" 4-Bolt

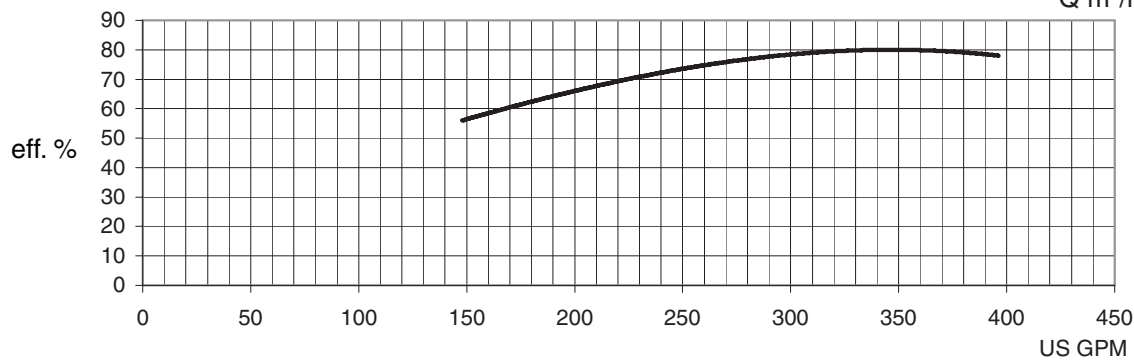
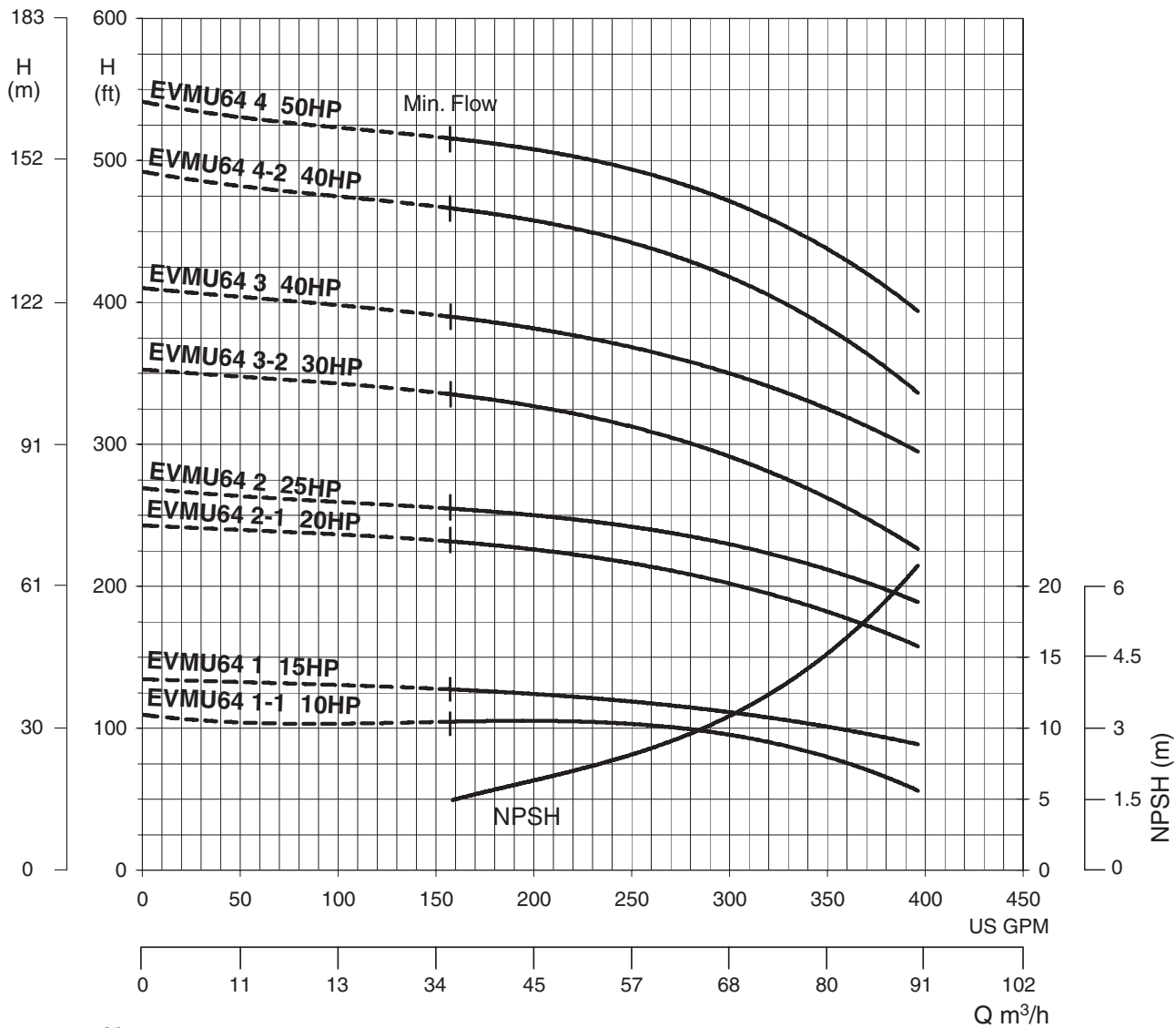
EVMU45 4-1 – EVMU45 7-2

3500RPM

300# ANSI 3" 8-Bolt



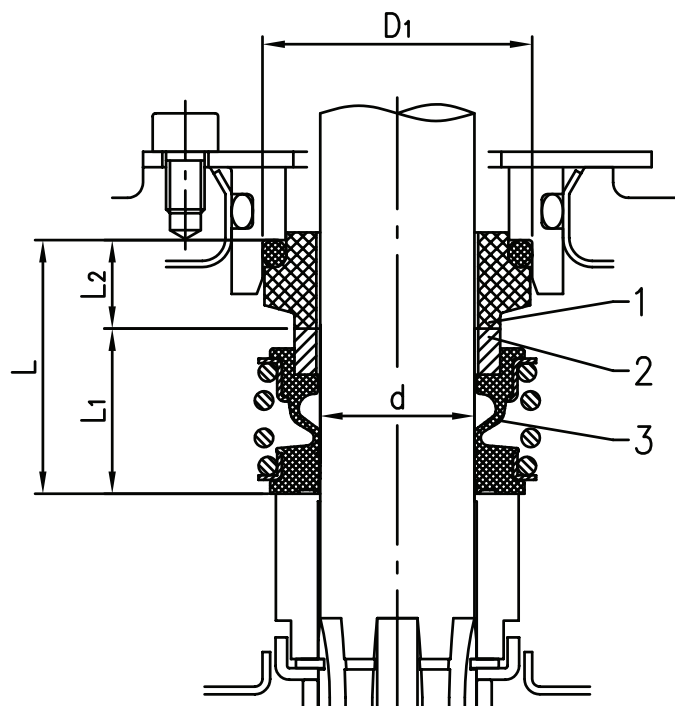
Water Temperature: 20° C (68° F)



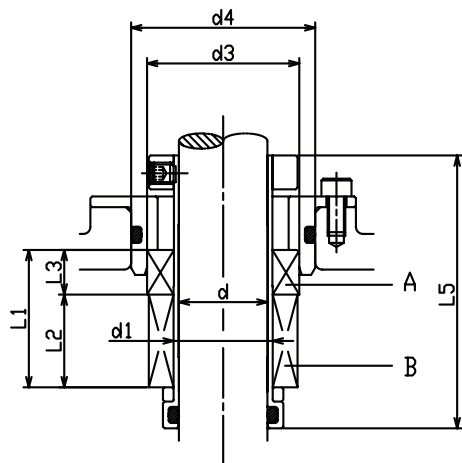
Water Temperature: 20° C (68° F)

Maximum Working Pressure

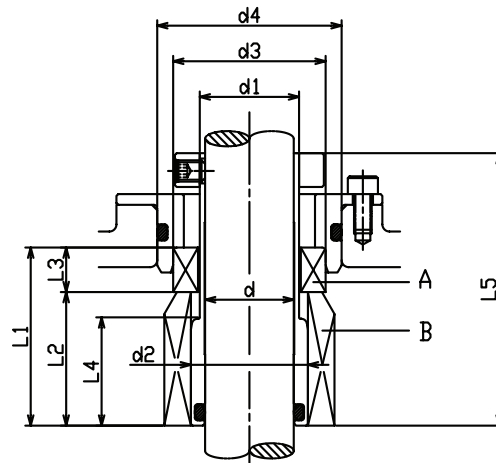
Model	Maximum Working Pressure
EVMU3 2 – EVMU3 9	232 PSI
EVMU5 2 – EVMU5 10	
EVMU10 2 – EVMU10 8	
EVMU18 2 – EVMU18 6	
EVMU32 1 – EVMU32 4-3	
EVMU45 1-1 – EVMU45 3	
EVMU64 1-1 – EVMU64 3	
EVMU3 11 – EVMU3 18	370 PSI
EVMU5 11 – EVMU5 16	
EVMU10 10 – EVMU10 16	
EVMU18 7 – EVMU18 11	
EVMU32 5 – EVMU32 8-3	
EVMU45 4-1 – EVMU45 7-2	
EVMU64 4-2 – EVMU64 4	440 PSI
EVMU32 9 – EVMU32 10-1	

Dimensions
Mechanical Seal
EVMU 3, 5, 10, 18
EVMUL 3, 5, 10, 18
Mechanical Seal


Pump Type	Size [inch]	Max. working pressure [PSI]	d [inch]	D ₁ [inch]	L [inch]	L ₁ [inch]	L ₂ [inch]	Material			
								1 stationary seal ring	2 rotary seal ring	3 elastomer	spring
3-5	0.5	232	0.5	0.91	0.93	0.63	0.3	Carbon graphite	Silicon carbide	FPM	316Ti
		370									
10	0.63	232	0.63	1.06	1.06	0.67	0.39	Carbon graphite	Silicon carbide	FPM	316Ti
		370									
18	0.79	232	0.79	1.38	1.3	0.85	0.45	Carbon graphite	Silicon carbide	FPM	316Ti
		370									

Dimensions
Mechanical Seal
EVMUG 32, 45, 64
EVMUL 32, 45, 64


working pressure to 370 PSI
Standard Seal



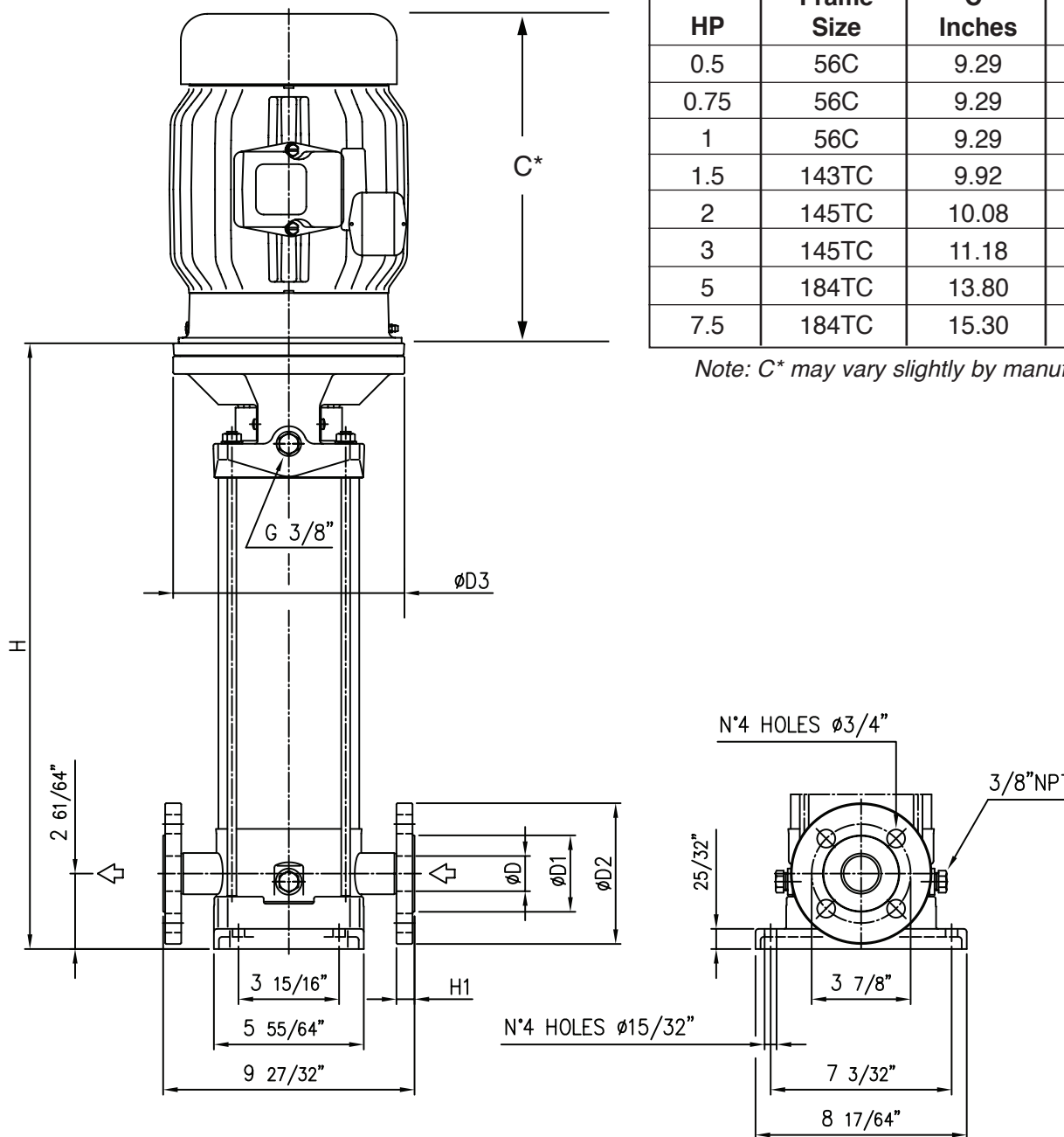
working pressure to 440 PSI
Standard Seal

Size (inch)	Max. working pressure (psi)	d (inch)	d1 (inch)	d2 (inch)	d3 (inch)	d4 (inch)	L1 (inch)	L2 (inch)	L3 (inch)	L4 (inch)	L5 (inch)	Material			
												A stationary seal ring	B rotary seal ring	elastomer	spring
1.102	232	0.984	1.102	—	1.693	2.047	1.535	1.043	0.492	—	2.894	Carbon graphite	Silicon Carbide	FPM	316 Ti
	370			1.299											
	440			1.969											

Dimensions
**Models EVMU(L)3
EVMU(L)5**

 Approximate Motor Dimensions C*
for 3 phase, TEFC, NEMA Motors

HP	Frame Size	C* Inches	Motor Wt LBS.
0.5	56C	9.29	19
0.75	56C	9.29	21
1	56C	9.29	23
1.5	143TC	9.92	30
2	145TC	10.08	33
3	145TC	11.18	45
5	184TC	13.80	69
7.5	184TC	15.30	88

Note: C may vary slightly by manufacturer*


Flange Detail:

EVMU(L)3 250Lb. ANSI

EVMU(L)5 250Lb. ANSI

Refer to page 817 for dimension details.

Model EVMU / EVMUL
EBARA Stainless Steel Vertical Multistage
Dimensions
**Models EVMU(L)3
EVMU(L)5**

Pump Type EVMU(L)	HP	Motor Frame	Dimensions						Weight [lbs]
			D	D1	D2	D3	H	H1	
3 2	.5	56C	1 3/8"	2 63/64"	5 33/64"	6 39/64"	11 5/16"	23/32"	38.2
3 3	.75	56C	1 3/8"	2 63/64"	5 33/64"	6 39/64"	12 9/64"	23/32"	39.2
3 4	1	56C	1 3/8"	2 63/64"	5 33/64"	6 39/64"	12 31/32"	23/32"	40.3
3 5	1.5	143TC	1 3/8"	2 63/64"	5 33/64"	6 39/64"	13 55/64"	23/32"	41.4
3 6	1.5	143TC	1 3/8"	2 63/64"	5 33/64"	6 39/64"	14 11/16"	23/32"	43.5
3 7	2	145TC	1 3/8"	2 63/64"	5 33/64"	6 39/64"	15 17/32"	23/32"	43.9
3 8	2	145TC	1 3/8"	2 63/64"	5 33/64"	6 39/64"	16 23/64"	23/32"	44.3
3 9	3	145TC	1 3/8"	2 63/64"	5 33/64"	6 39/64"	17 3/16"	23/32"	45.9
3 11	3	145TC	1 3/8"	2 63/64"	5 33/64"	6 39/64"	18 27/32"	23/32"	44.6
3 12	3	145TC	1 3/8"	2 63/64"	5 33/64"	6 39/64"	19 43/64"	23/32"	46.1
3 13	3	145TC	1 3/8"	2 63/64"	5 33/64"	6 39/64"	20 57/64"	23/32"	49.1
3 15	5	184TC	1 3/8"	2 63/64"	5 33/64"	9 1/16"	22 57/64"	23/32"	55.6
3 18	5	184TC	1 3/8"	2 63/64"	5 33/64"	9 1/16"	25 3/8"	23/32"	63.5
5 2	.75	56C	1 3/8"	2 63/64"	5 33/64"	6 39/64"	11 7/8"	23/32"	41.7
5 3	1.5	143TC	1 3/8"	2 63/64"	5 33/64"	6 39/64"	13 1/32"	23/32"	42.8
5 4	2	145TC	1 3/8"	2 63/64"	5 33/64"	6 39/64"	14 9/64"	23/32"	44.8
5 5	2	145TC	1 3/8"	2 63/64"	5 33/64"	6 39/64"	15 15/64"	23/32"	46.1
5 6	3	145TC	1 3/8"	2 63/64"	5 33/64"	6 39/64"	16 23/64"	23/32"	47.4
5 7	3	145TC	1 3/8"	2 63/64"	5 33/64"	6 39/64"	17 55/64"	23/32"	49.2
5 8	3	145TC	1 3/8"	2 63/64"	5 33/64"	6 39/64"	18 61/64"	23/32"	50.5
5 10	5	184TC	1 3/8"	2 63/64"	5 33/64"	9 1/16"	21 33/64"	23/32"	55.8
5 11	5	184TC	1 3/8"	2 63/64"	5 33/64"	9 1/16"	22 5/8"	23/32"	58.2
5 12	5	184TC	1 3/8"	2 63/64"	5 33/64"	9 1/16"	23 23/32"	23/32"	59.7
5 14	7.5	184TC	1 3/8"	2 63/64"	5 33/64"	9 1/16"	25 59/64"	23/32"	64.8
5 16	7.5	184TC	1 3/8"	2 63/64"	5 33/64"	9 1/16"	28 5/32"	23/32"	67.7

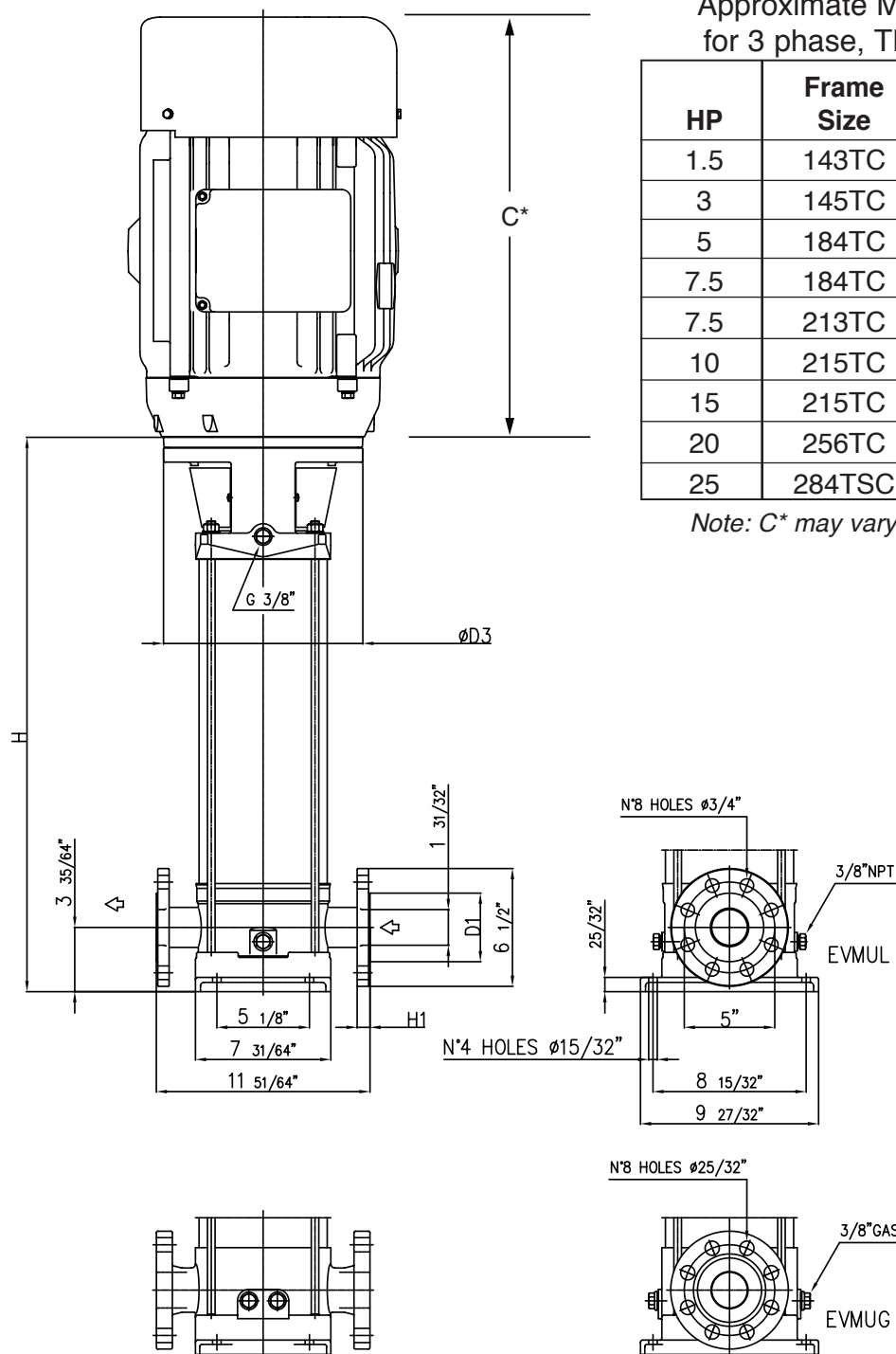
Dimensions

Models EVMU(L)10
EVMU(L)18

Approximate Motor Dimensions C*
for 3 phase, TEFC, NEMA Motors

HP	Frame Size	C* Inches	Motor Wt LBS.
1.5	143TC	9.92	30
3	145TC	11.18	45
5	184TC	13.80	69
7.5	184TC	15.30	88
7.5	213TC	15.18	99
10	215TC	15.26	122
15	215TC	16.39	143
20	256TC	16.32	221
25	284TSC	19.03	371

Note: C* may vary slightly by manufacturer



Flange Detail:

EVMU(L)10 250Lb. ANSI
EVMU(L)18 250Lb. ANSI

Refer to page 819 for dimension details.

Model EVMU / EVMUL
EBARA Stainless Steel Vertical Multistage
Dimensions
**Models EVMU(L)10
EVMU(L)18**

Pump Type EVMU(L)	HP	Motor Frame	Dimensions				Weight [lbs]
			D1	D3	H	H1	
10 2	1.5	143TC	4 1/64"	6 39/64"	14 1/64"	23/32"	130.9
10 3	3	145TC	4 1/64"	6 39/64"	15 13/64"	23/32"	138.2
10 4	3	145TC	4 1/64"	6 39/64"	16 49/64"	23/32"	149.8
10 5	5	184TC	4 1/64"	9 1/16"	18 13/16"	23/32"	152.8
10 6	5	184TC	4 1/64"	9 1/16"	20"	23/32"	160.1
10 8	7.5	184TC	4 1/64"	9 1/16"	22 3/8"	23/32"	192.1
10 10	7.5	213TC	4 1/64"	9 1/16"	24 3/4"	23/32"	196.6
10 12	10	215TC	4 1/64"	9 1/16"	27 7/64"	23/32"	242.2
10 14	15	215TC	4 1/64"	9 1/16"	29 41/64"	23/32"	254.3
10 16	15	215TC	4 1/64"	9 1/16"	32"	23/32"	279.1
18 2	5	184TC	4 1/64"	9 1/16"	15 9/16"	23/32"	182.9
18 3	7.5	184TC	4 1/64"	9 1/16"	17 41/64"	23/32"	190.2
18 4	7.5	184TC	4 1/64"	9 1/16"	19 7/32"	23/32"	190.2
18 5	10	215TC	4 1/64"	9 1/16"	20 25/32"	23/32"	236.4
18 6	15	215TC	4 1/64"	9 1/16"	22 9/16"	23/32"	258.8
18 7	15	215TC	4 1/64"	9 1/16"	24 9/64"	23/32"	271.0
18 8	15	215TC	4 1/64"	9 1/16"	25 45/64"	23/32"	278.3
18 10	20	256TC	4 1/64"	9 1/16"	28 55/64"	23/32"	329.3
18 11	25	284TSC	4 1/64"	11 1/32"	30 37/64"	23/32"	336.6

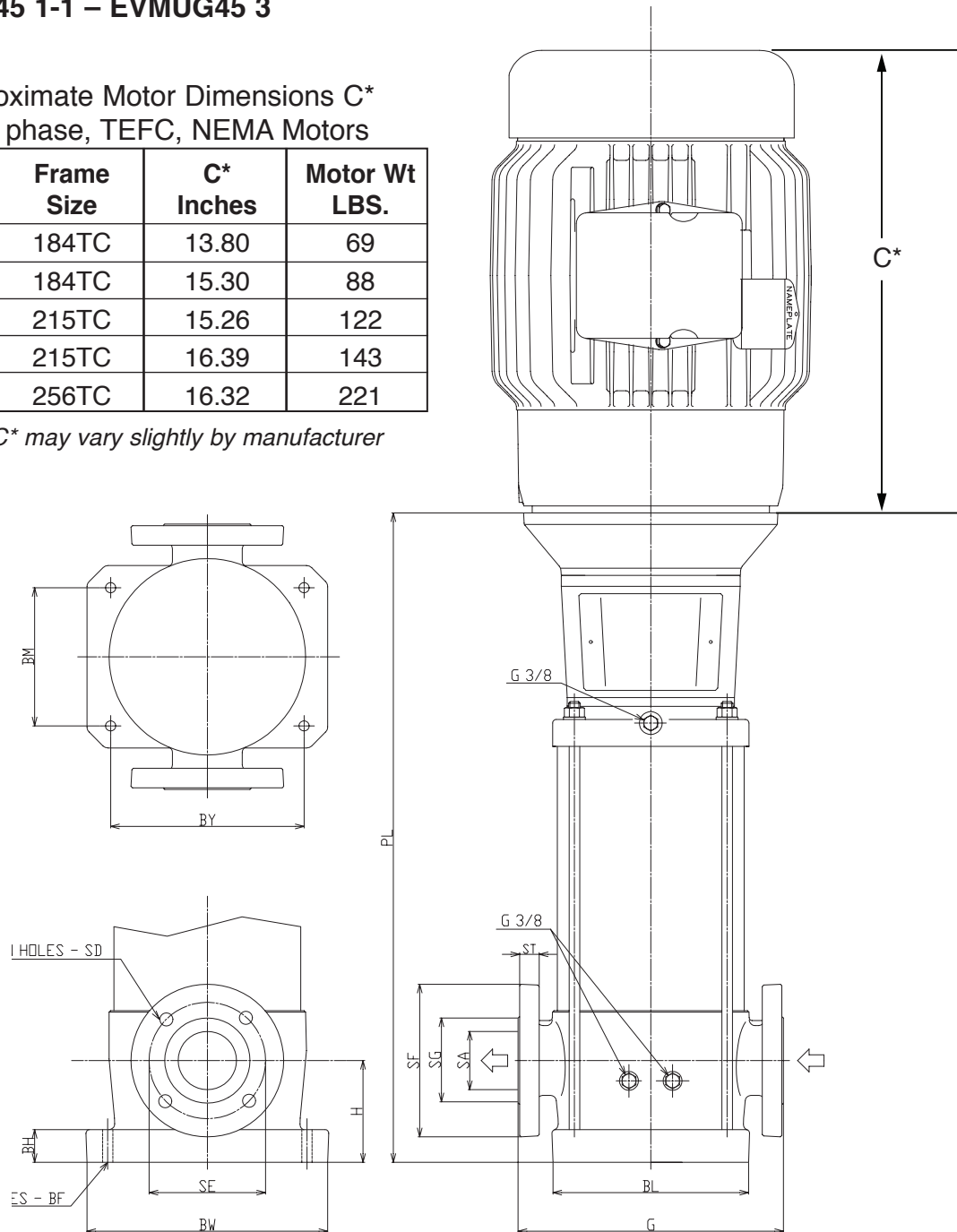
Dimensions

Models EVMUL32 1 – EVMUL32 4-3
EVMUL45 1-1 – EVMUL45 3
EVMUG32 1 – EVMUG32 4-3
EVMUG45 1-1 – EVMUG45 3

Approximate Motor Dimensions C*
for 3 phase, TEFC, NEMA Motors

HP	Frame Size	C* Inches	Motor Wt LBS.
5	184TC	13.80	69
7.5	184TC	15.30	88
10	215TC	15.26	122
15	215TC	16.39	143
20	256TC	16.32	221

Note: C may vary slightly by manufacturer*



Flange Detail:

EVMU32 2 1/2" 150Lb. ANSI

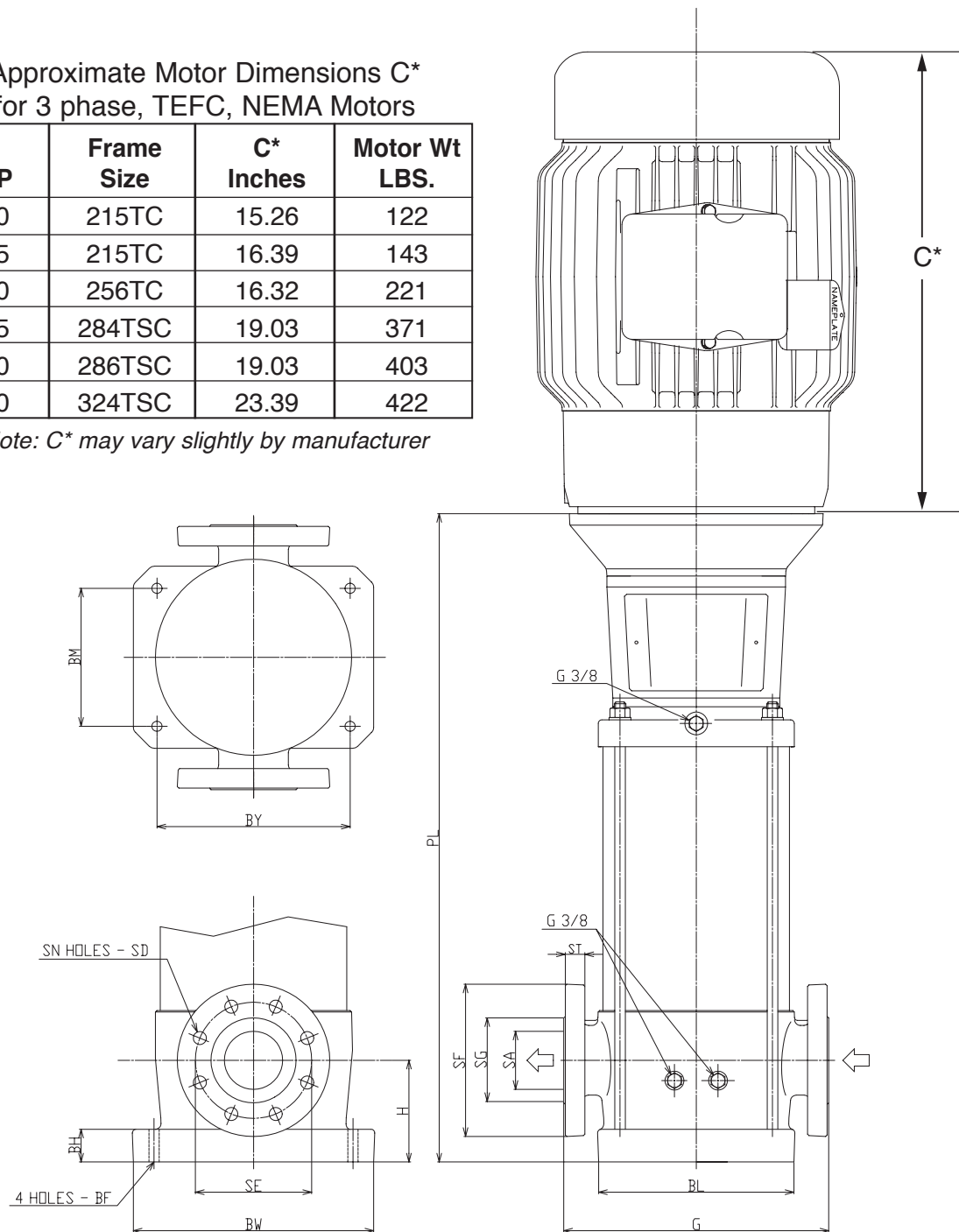
EVMU45 3" 150Lb. ANSI

Refer to page 823 for dimension details.

Dimensions
Models EVMUG64 1-1 – EVMUG64 3
EVMUL64 1-1 – EVMUL64 3

 Approximate Motor Dimensions C*
 for 3 phase, TEFC, NEMA Motors

HP	Frame Size	C* Inches	Motor Wt LBS.
10	215TC	15.26	122
15	215TC	16.39	143
20	256TC	16.32	221
25	284TSC	19.03	371
30	286TSC	19.03	403
40	324TSC	23.39	422

Note: C may vary slightly by manufacturer*


Flange Detail:

EVMU64 4" 150Lb. ANSI

Refer to page 823 for dimension details.

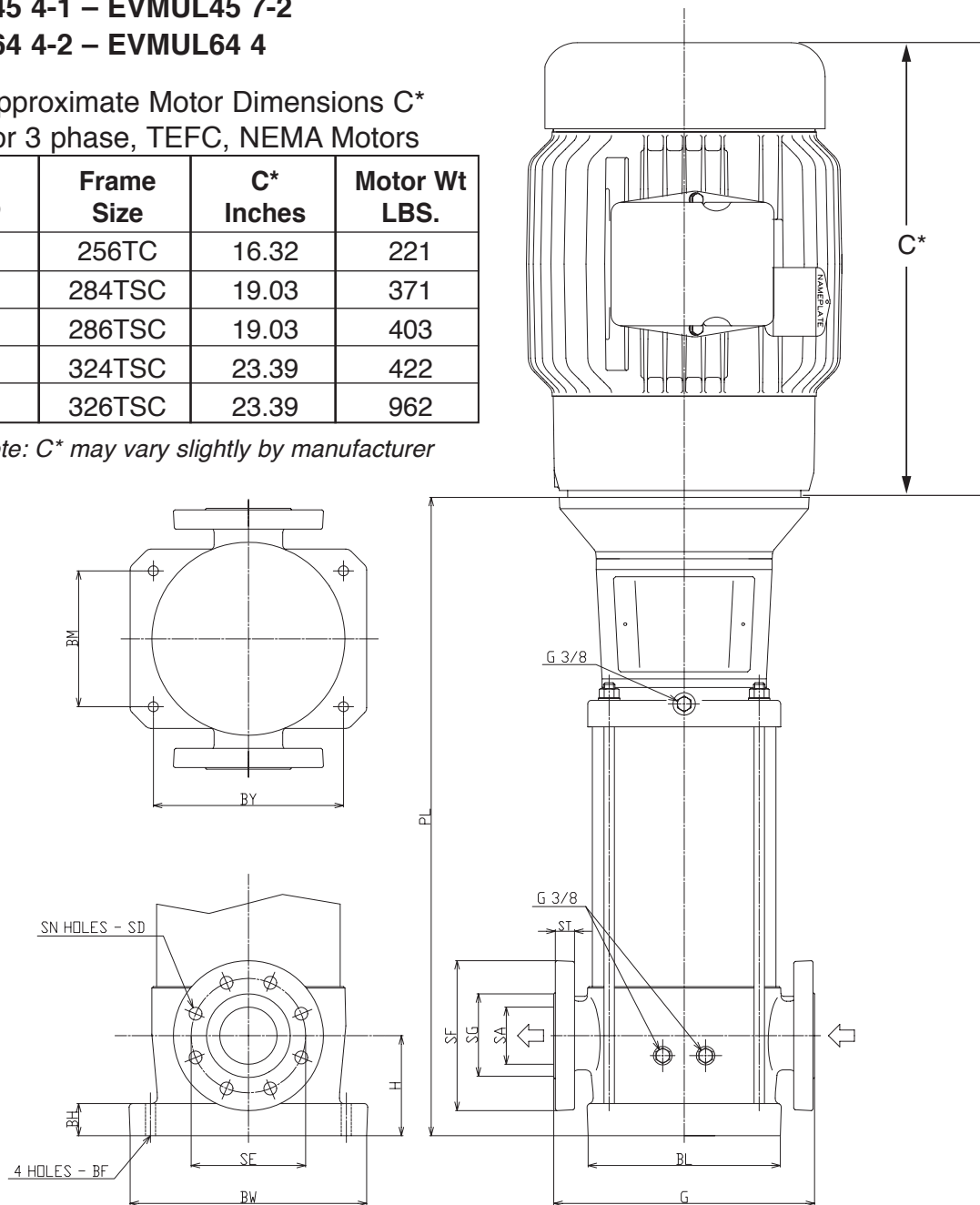
Dimensions

Models EVMUG32 5 – EVMUG32 10-1
EVMUG45 4-1 – EVMUG45 7-2
EVMUG64 4-2 – EVMUG64 4
EVMUL32 5 – EVMUL32 10-1
EVMUL45 4-1 – EVMUL45 7-2
EVMUL64 4-2 – EVMUL64 4

Approximate Motor Dimensions C*
 for 3 phase, TEFC, NEMA Motors

HP	Frame Size	C* Inches	Motor Wt LBS.
20	256TC	16.32	221
25	284TSC	19.03	371
30	286TSC	19.03	403
40	324TSC	23.39	422
50	326TSC	23.39	962

Note: C may vary slightly by manufacturer*



Flange Detail:

EVMU32 2 1/2" 300Lb. ANSI
 EVMU45 3" 300Lb. ANSI
 EVMU64 4" 300Lb. ANSI

Refer to page 823 for dimension details.

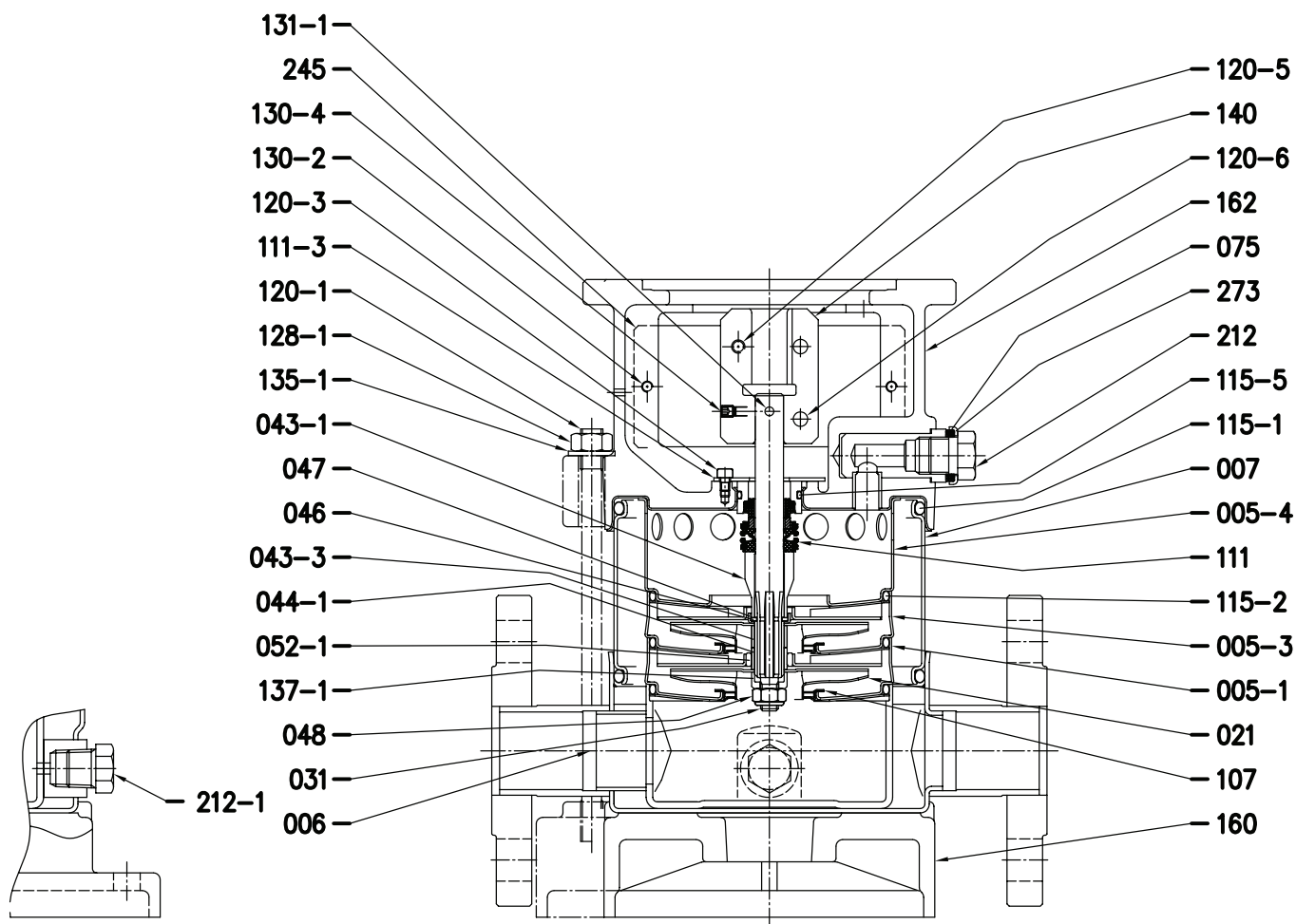
Model EVMUG / EVMUL
EBARA Stainless Steel Vertical Multistage
Dimension Table

Pump Type					Dimensions (inches)									
Model	HP	Weight Lbs. †	Motor Frame*	PL	H	G	ST	SA	SG	SF	SD	SN		
32 1	5	117	184TC	18 3/16	4 9/64	12 9/32	54/64	2 9/16	4 21/64	7	25/32	4		
32 2-2	7 1/2	126	184TC	20 19/32										
32 3-2	10	170	215TC	22 31/64										
32 3	15	172	215TC	27 41.64										
32 4-3	15	176	215TC	29 17/32										
32 5	20	194	256TC	31 27/64										
32 6	25	200	284TSC	33 7/64										
32 7	30	207	286TSC	35										
32 8-3	30	225	286TSC	36 57/64										
32 9	40	240	324TSC	39 3/8										
32 10-1	40	247	324TSC	41 17/64										
45 1-1	7 1/2	148	184TC	21 29/64	5 33/64	14 3/8	15/16	3 5/32	4 23/32	7 1/2	25/32	4		
45 1	10	152	215TC	21 29/64										
45 2-1	15	192	215TC	29 29/64										
45 3-2	20	207	256TC	32 9/32										
45 3	25	207	284TSC	32 2/32										
45 4-1	30	229	286TSC	34 59/64										
45 5	40	260	324TSC	38 11/32										
45 6	50	276	326TSC	41 3/16										
45 7-2	50	287	326TSC	44 1/64										
64 1-1	10	179	215TC	21 29/64			5 33/64	14 3/8	1 1/32	3 15/16	5 33/64	9	25/32	8
64 1	15	201	215TC	26 5/8										
64 2-1	20	213	256TC	29 29/64										
64 2	25	214	284TSC	29 1/4										
64 3-2	30	221	286TSC	32 3/32										
64 3	40	223	324TSC	32 11/16										
64 4-2	40	245	324TSC	35 33/64										
64 4	50	251	326TSC	35 33/64										
									1 21/64			10	29/32	

Pump Type				Dimensions (inches)												
Model	HP	Motor Frame*	SE	BM	BY1	BL	BW	BF	BH							
32 1	5	184TC	5 1/2	6 11/16	9 29/64	8 17/64	11 1/32	35/64	1 3/8							
32 2-2	7 1/2	184TC														
32 3-2	10	215TC														
32 3	15	215TC														
32 4-3	15	215TC														
32 5	20	256TC														
32 6	25	284TSC														
32 7	30	286TSC														
32 8-3	30	286TSC														
32 9	40	324TSC														
32 10-1	40	324TSC														
45 1-1	7 1/2	184TC	6	7 31/64	10 15/32	9 57/64	13 1/32	35/64	1 49/64							
45 1	10	215TC														
45 2-1	15	215TC														
45 3-2	20	256TC														
45 3	25	284TSC														
45 4-1	30	286TSC														
45 5	40	324TSC														
45 6	50	326TSC														
45 7-2	50	326TSC														
64 1-1	10	215TC								7 1/2	7 31/64	10 15/32	9 57/64	13 1/32	35/64	1 49/64
64 1	15	215TC														
64 2-1	20	256TC														
64 2	25	284TSC														
64 3-2	30	286TSC														
64 3	40	324TSC														
64 4-2	40	324TSC														
64 4	50	326TSC														
			7 7/8													

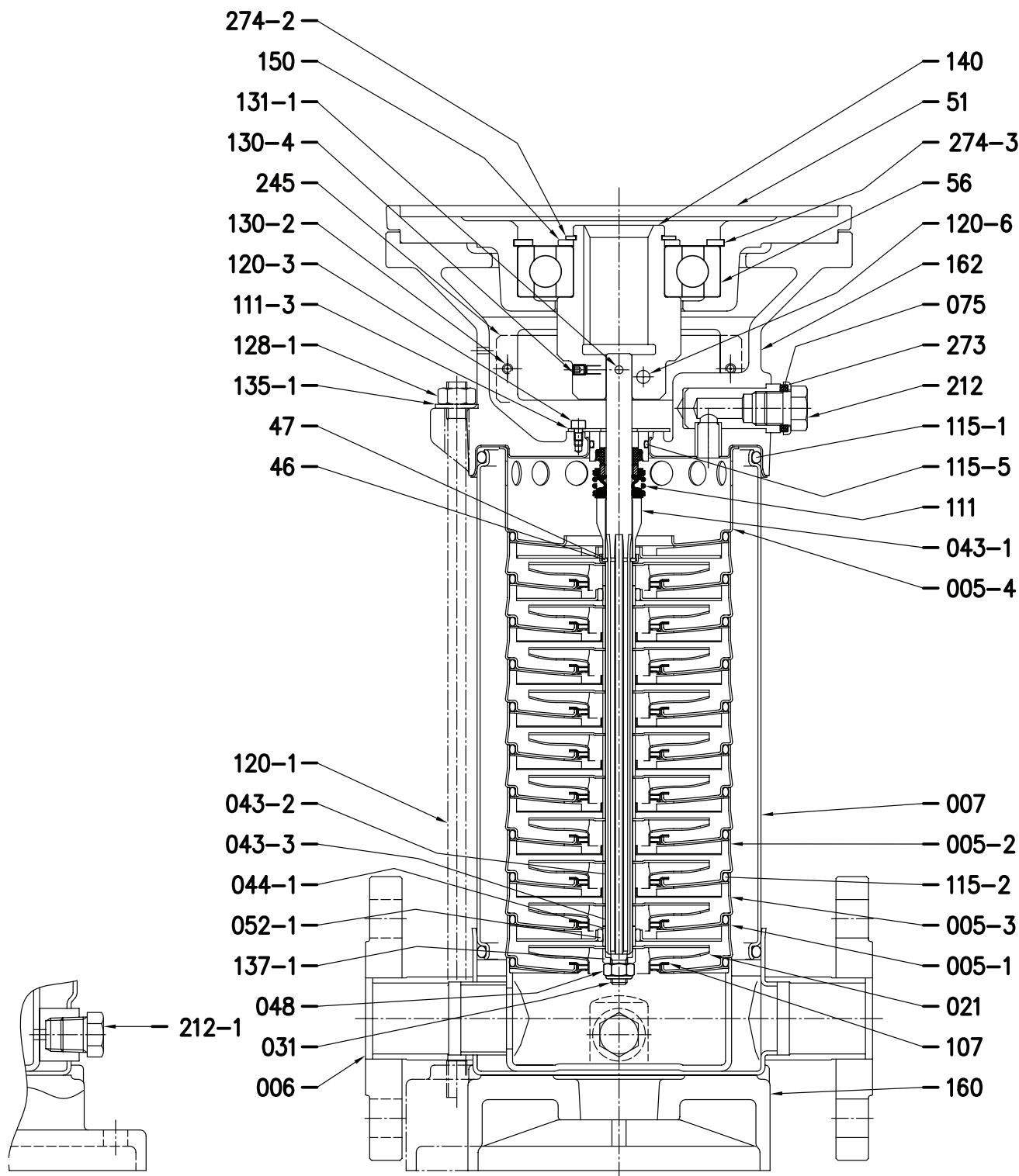
*Motor frame for Three Phase TEFC only. Consult factory for single phase and alternate enclosures.

† Bare Pump only.



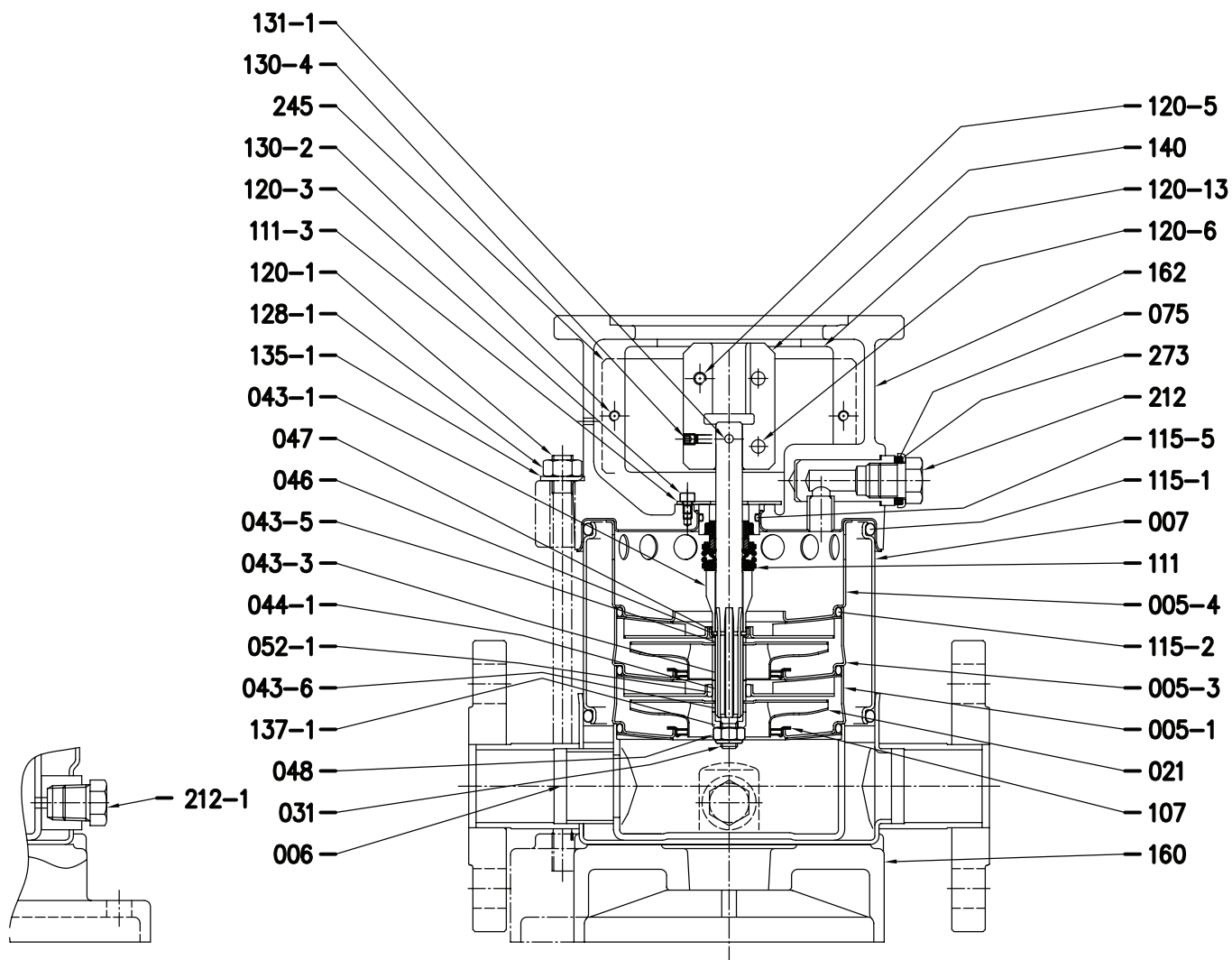
Refer to page 828 for material details.

(For reference only. See pricing for part availability.)



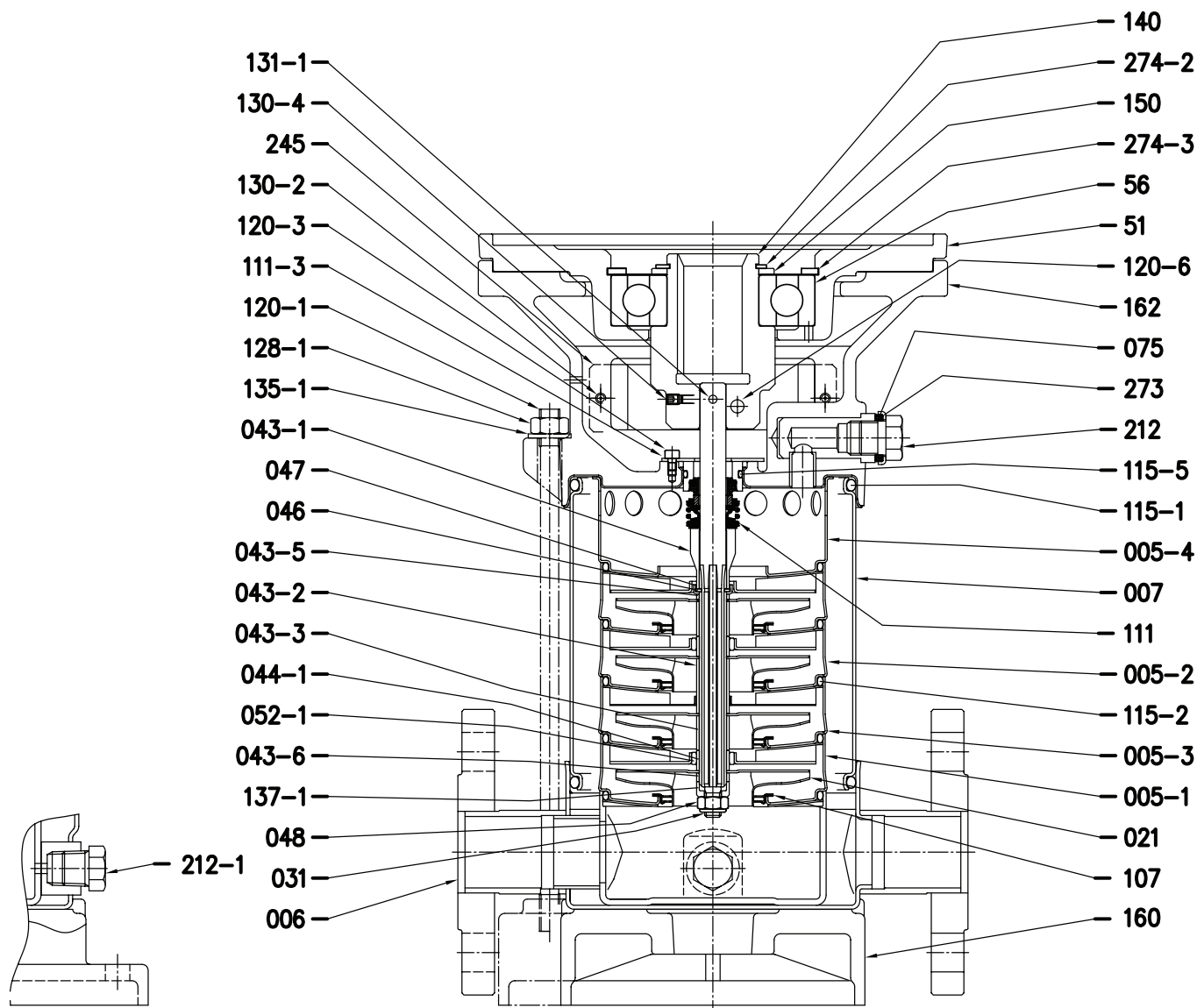
Refer to page 828 for material details.

(For reference only. See pricing for part availability.)



Refer to page 828 for material details.

(For reference only. See pricing for part availability.)



Refer to page 828 for material details.

(For reference only. See pricing for part availability.)

Model EVMU / EVMUL
EBARA Stainless Steel Vertical Multistage
Sectional View – part reference
**Models EVMU(L)3
EVMU(L)5**

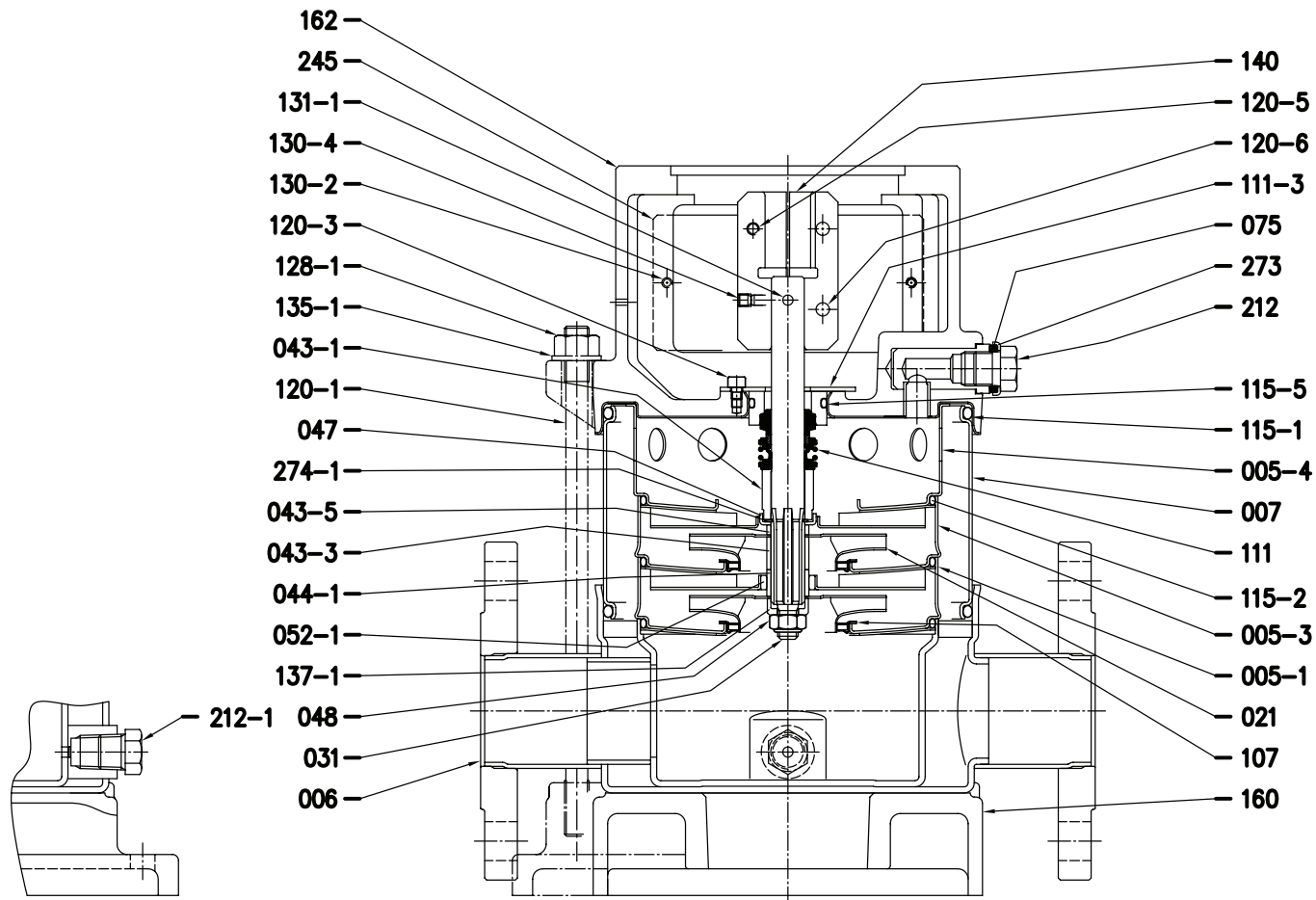
N°	Part name	Material	
		EVMU	EVMUL
005-1	Suction casing	EN 1.4301(AISI 304)	EN 1.4401 (AISI 316)
005-2	Intermediate casing	EN 1.4301(AISI 304)	EN 1.4401 (AISI 316)
005-3	Intermediate casing bearing	EN 1.4301(AISI 304)	EN 1.4401 (AISI 316)
005-4	Discharge casing	EN 1.4301(AISI 304)	EN 1.4401 (AISI 316)
006	Bottom casing	EN 1.4301(AISI 304)	EN 1.4401 (AISI 316)
007	Outer casing	EN 1.4301(AISI 304)	EN 1.4401 (AISI 316)
021	Impeller	EN 1.4301(AISI 304)	EN 1.4401 (AISI 316)
031	Shaft	EN 1.4401 (AISI 316)	
043-1	Shaft sleeve (mechanical seal)	EN 1.4301(AISI 304)	EN 1.4401 (AISI 316)
043-2	Shaft sleeve (intermediate)	EN 1.4301(AISI 304)	EN 1.4401 (AISI 316)
043-3	Shaft sleeve (bearing)	EN 1.4301(AISI 304)	EN 1.4401 (AISI 316)
043-5	Shaft sleeve (last stage)	EN 1.4301(AISI 304)	EN 1.4401 (AISI 316)
043-6	Shaft sleeve (adjustment)	EN 1.4301(AISI 304)	EN 1.4401 (AISI 316)
044-1	Shaft sleeve bearing	Tungsten carbide	
046	Split ring (mechanical seal)	EN 1.4301(AISI 304)	EN 1.4401 (AISI 316)
047	Ring holder	EN 1.4301(AISI 304)	EN 1.4401 (AISI 316)
048	Impeller nut	A2-70 UNI 7323 with inox insert	A4-70 UNI 7323 with inox insert
051	Motor adapter	Cast iron EN-GJL-200-EN 1561	
052-1	Bearing	Tungsten carbide	
056	Ball bearing		
070-1	Ring for bearing	EN 1.4301(AISI 304)	
075	O-ring (plug)	FPM	
075-1	O-ring (plug)	FPM	
107	Liner ring	PTFE/EN 1.4401 (AISI 316)	
111	Mechanical seal	Silicon carbide/Carbon/FPM	
111-3	Mechanical seal seat	EN 1.4301(AISI 304)	EN 1.4401 (AISI 316)
115-1	O-ring (outer casing)	FPM	
115-2	O-ring (intermediate casing)	FPM	
115-5	O-ring	FPM	

(For reference only. See pricing for part availability.)

Model EVMU / EVMUL
EBARA Stainless Steel Vertical Multistage
Sectional View – part reference
**Models EVMU(L)3
EVMU(L)5**

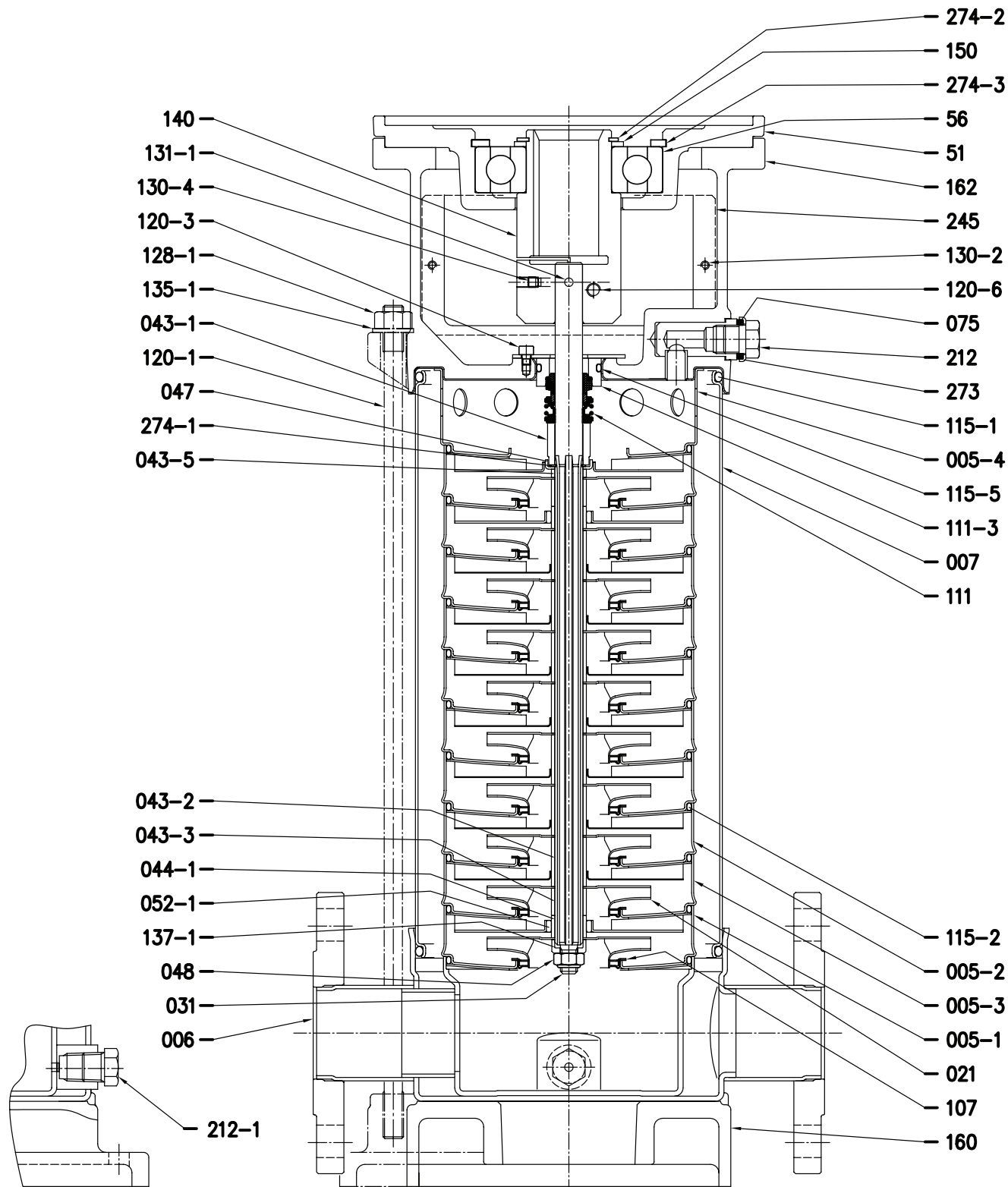
N°	Part name	Material	
		EVMU	EVMUL
120-1	Tie rod	Zincate steel	
120-3	Screw	A2-70 UNI 7323	
120-5	Screw for coupling	Zincate steel 8.8 strength class ISO 898/1	
120-6	Screw for coupling	Zincate steel 8.8 strength class ISO 898/1	
128-1	Nut for tie rod	Zincate steel	
130-2	Screw for coupling guard	A2-70 UNI 7323	
130-4	Set-screw	Carbon steel	
131-1	Pin for shaft	Carbon steel	
135-1	Washer	Zincate steel	
135-4	Washer (bearing)	Carbon steel	
137-1	Impeller spacer	EN 1.4301(AISI 304)	EN 1.4401 (AISI 316)
140	Coupling	Brass OT 58 UNI 5705	
150	Spacer	Carbon steel	
160	Base	Cast iron EN-GJL-200-EN 1561	
162	Motor bracket	Cast iron EN-GJL-200-EN 1561+ EN 1.4301(AISI 304)	Cast iron + EN 1.4401 (AISI 316)
169	Motor adapter	Cast iron EN-GJL-200-EN 1561	
212	Plug	EN 1.4301(AISI 304)	EN 1.4401 (AISI 316)
212-1	Plug	EN 1.4301(AISI 304)	EN 1.4401 (AISI 316)
245	Coupling guard	EN 1.4301(AISI 304)	
273	Washer (plug)	EN 1.4301(AISI 304)	EN 1.4401 (AISI 316)
273-1	Washer (plug)	EN 1.4301(AISI 304)	/
274-2	C-type snap ring (coupling)	EVMU3 13, EVMU5 7 ,8	Carbon steel TC 80
		EVMU3 15, 18, EVMU5 10 to 16	
274-3	C-type snap ring (bracket)	EVMU3 13, EVMU5 7 ,8	Carbon steel TC 80
		EVMU3 15, 18, EVMU5 10 to 16	

(For reference only. See pricing for part availability.)



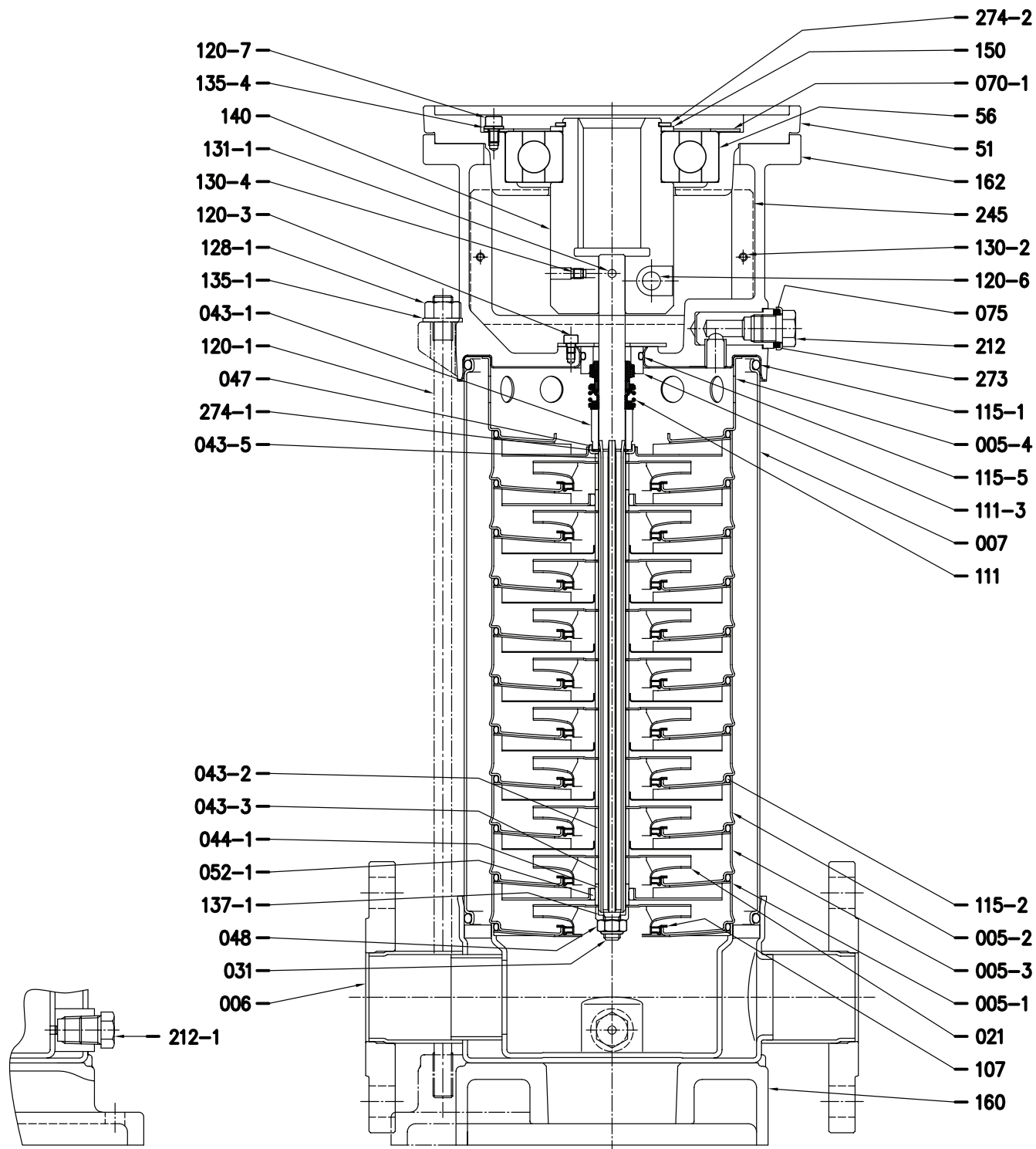
Refer to page 836 for material details.

(For reference only. See pricing for part availability.)



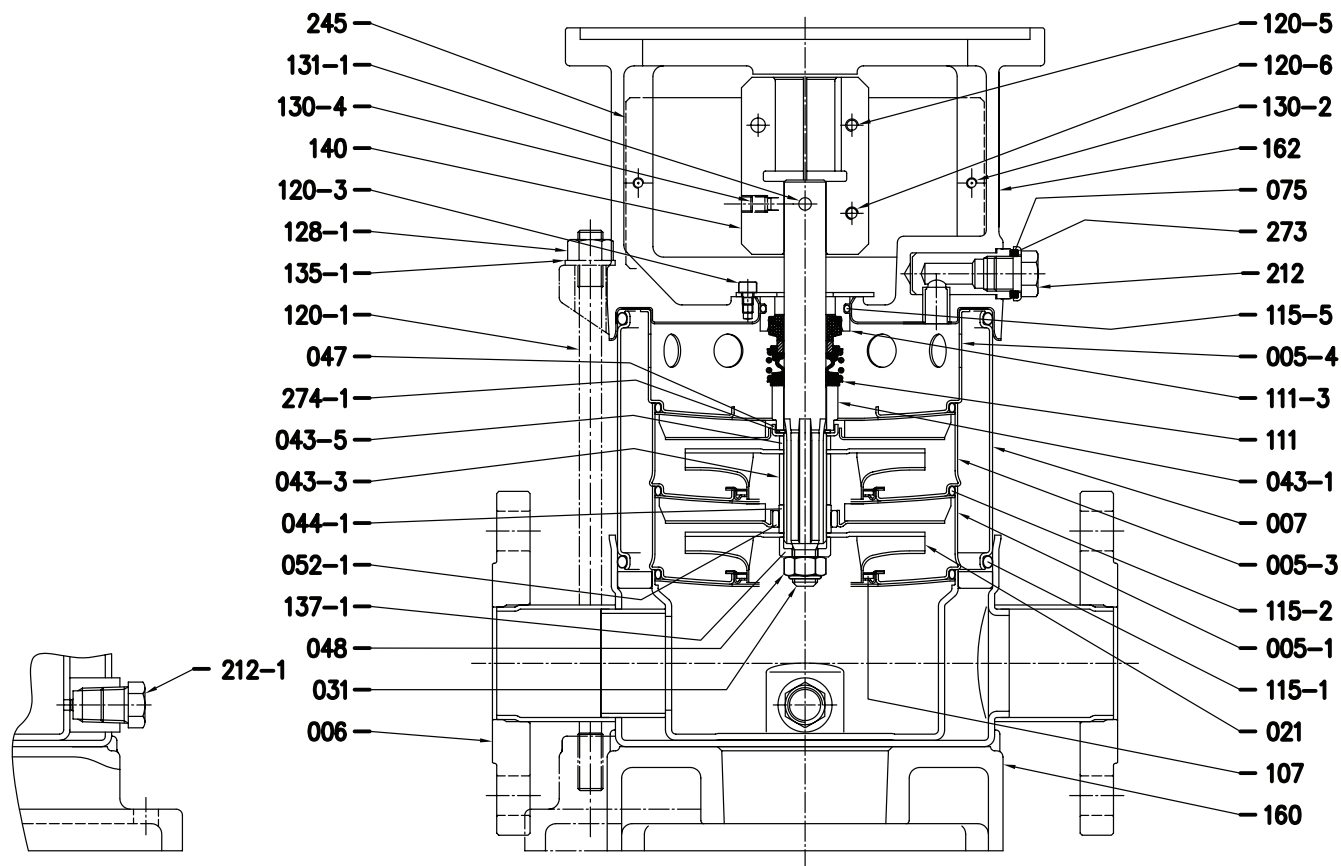
Refer to page 836 for material details.

(For reference only. See pricing for part availability.)



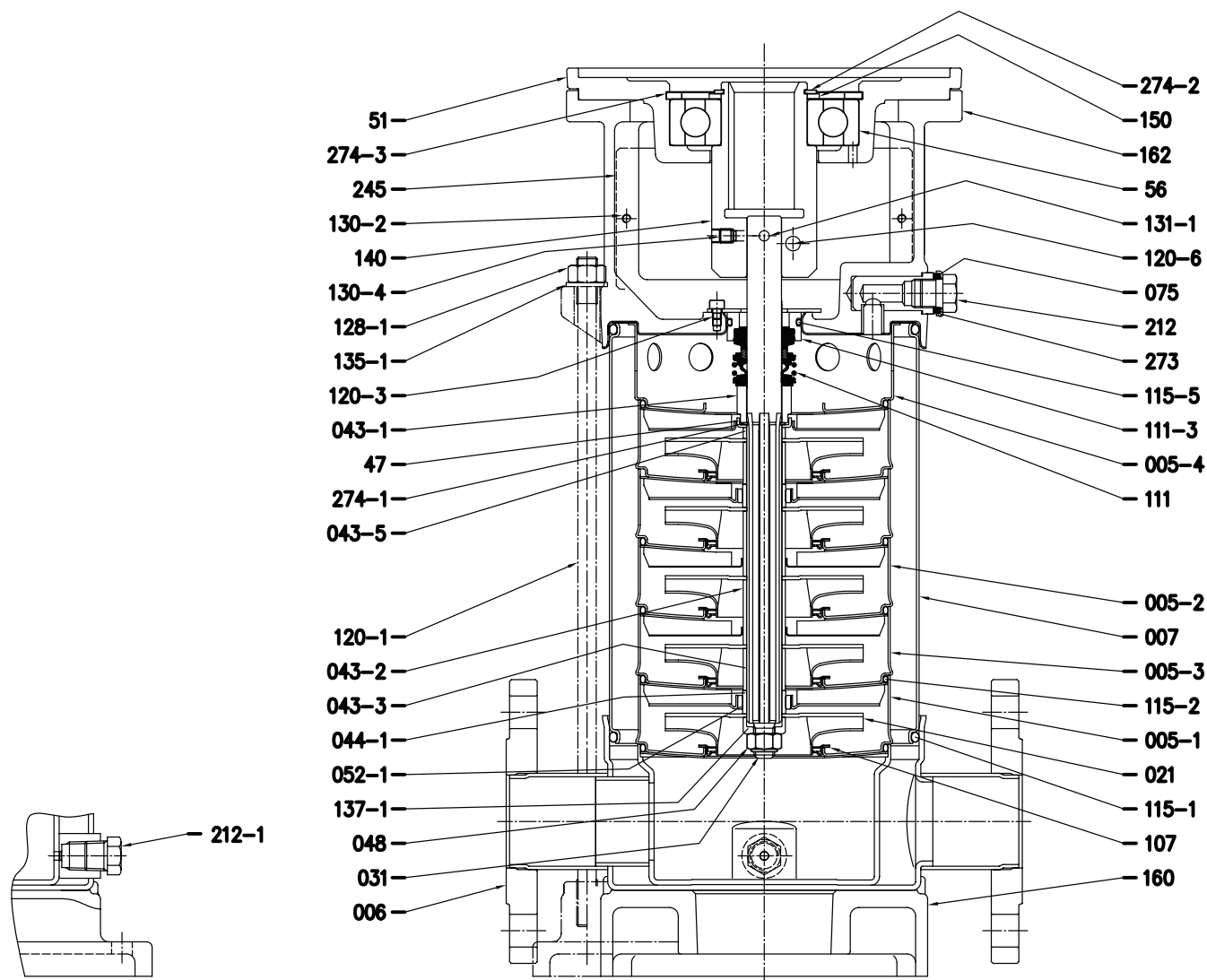
Refer to page 836 for material details.

(For reference only. See pricing for part availability.)



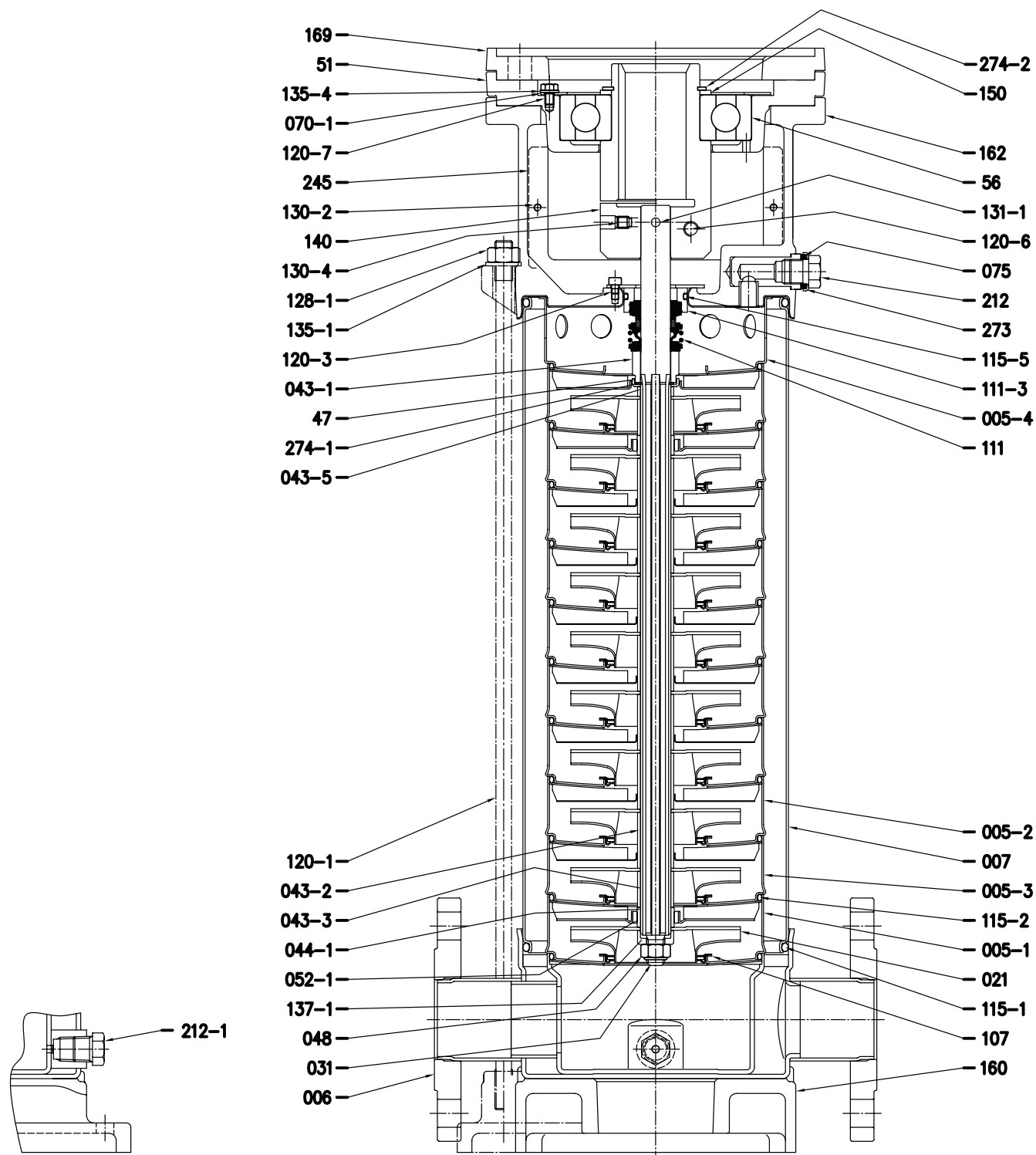
Refer to page 838 for material details.

(For reference only. See pricing for part availability.)



Refer to page 838 for material details.

(For reference only. See pricing for part availability.)



Refer to page 838 for material details.

(For reference only. See pricing for part availability.)

Model EVMU / EVMUL
EBARA Stainless Steel Vertical Multistage
Sectional View – part reference
Model EVMU(L)10

N°	Part name	Material	
		EVMU	EVML
005-1	Suction casing	EN 1.4301(AISI 304)	EN 1.4401 (AISI 316)
005-2	Intermediate casing	EN 1.4301(AISI 304)	EN 1.4401 (AISI 316)
005-3	Intermediate casing bearing	EN 1.4301(AISI 304)	EN 1.4401 (AISI 316)
005-4	Discharge casing	EN 1.4301(AISI 304)	EN 1.4401 (AISI 316)
006	Bottom casing	EN 1.4301(AISI 304)	EN 1.4401 (AISI 316)
007	Outer casing	EN 1.4301(AISI 304)	EN 1.4401 (AISI 316)
021	Impeller	EN 1.4301(AISI 304)	EN 1.4401 (AISI 316)
031	Shaft	EN 1.4401 (AISI 316)	
043-1	Shaft sleeve (mechanical seal)	EN 1.4301(AISI 304)	EN 1.4401 (AISI 316)
043-2	Shaft sleeve (intermediate)	EN 1.4301(AISI 304)	EN 1.4401 (AISI 316)
043-3	Shaft sleeve (bearing)	EN 1.4301(AISI 304)	EN 1.4401 (AISI 316)
043-5	Shaft sleeve (last stage)	EN 1.4301(AISI 304)	EN 1.4401 (AISI 316)
043-6	Shaft sleeve (adjustment)	EN 1.4301(AISI 304)	EN 1.4401 (AISI 316)
044-1	Shaft sleeve bearing	Tungsten carbide	
046	Split ring (mechanical seal)	EN 1.4301(AISI 304)	EN 1.4401 (AISI 316)
047	Ring holder	EN 1.4301(AISI 304)	EN 1.4401 (AISI 316)
048	Impeller nut	A2-70 UNI 7323 with inox insert	A4-70 UNI 7323 with inox insert
051	Motor adapter	Cast iron EN-GJL-200-EN 1561	
052-1	Bearing	Tungsten carbide	
056	Ball bearing	See table pag. 500	
070-1	Ring for bearing	EN 1.4301(AISI 304)	
075	O-ring (plug)	FPM	
075-1	O-ring (plug)	FPM	/
107	Liner ring	PTFE/EN 1.4401 (AISI 316)	
111	Mechanical seal	Silicon carbide/Carbon/FPM	
111-3	Mechanical seal seat	EN 1.4301(AISI 304)	EN 1.4401 (AISI 316)
115-1	O-ring (outer casing)	FPM	
115-2	O-ring (intermediate casing)	FPM	
115-5	O-ring	FPM	

(For reference only. See pricing for part availability.)

Model EVMU / EVMUL
EBARA Stainless Steel Vertical Multistage
Sectional View – part reference
Model EVMU(L)10

N°	Part name	Material	
		EVMU	EVML
120-1	Tie rod	Zincate steel	
120-3	Screw	A2-70 UNI 7323	
120-5	Screw for coupling	Zincate steel 8.8 strength class ISO 898/1	
120-6	Screw for coupling	EVMU10 2, EVMU10 3	
		EVMU10 4 to12	
		EVMU10 14 to16	
120-7	Screw (bearing)	Zincate steel 8.8 strength class ISO 898/1	
128-1	Nut for tie rod	Zincate steel	
130-2	Screw for coupling guard	A2-70 UNI 7323	
130-4	Set-screw	Carbon steel	
131-1	Pin for shaft	Carbon steel	
135-1	Washer	Zincate steel	
135-4	Washer (bearing)	Carbon steel	
137-1	Impeller spacer	EN 1.4301(AISI 304)	EN 1.4401 (AISI 316)
140	Coupling	Brass OT 58 UNI 5705	
150	Spacer	Carbon steel	
160	Base	/	Cast iron EN-GJL-200-EN 1561
162	Motor bracket	Cast iron EN-GJL-200-EN 1561+ EN 1.4301(AISI 304)	Cast iron + EN 1.4401 (AISI 316)
169	Motor adapter	Cast iron EN-GJL-200-EN 1561	
212	Plug	EN 1.4301(AISI 304)	EN 1.4401 (AISI 316)
212-1	Plug	EN 1.4301(AISI 304)	EN 1.4401 (AISI 316)
245	Coupling guard	EN 1.4301(AISI 304)	
273	Washer (plug)	EN 1.4301(AISI 304)	EN 1.4401 (AISI 316)
273-1	Washer (plug)	EN 1.4301(AISI 304)	/
274-1	C-type snap ring (coupling)	EN 1.4301(AISI 304)	EN 1.4401 (AISI 316)
274-2	C-type snap ring (coupling)	EVMU10 4	
		EVMU10 5 to 8	
		EVMU10 10 to 12	
		EVMU10 14 to16	
274-3	C-type snap ring (bracket)	EVMU10 4	
		EVMU10 5 to 8	
		EVMU10 10 to 12	

(For reference only. See pricing for part availability.)

Model EVMU / EVMUL
EBARA Stainless Steel Vertical Multistage
Sectional View – part reference
Model EVMU(L)18

N°	Part name	Material	
		EVMU	EVML
005-1	Suction casing	EN 1.4301(AISI 304)	EN 1.4401 (AISI 316)
005-2	Intermediate casing	EN 1.4301(AISI 304)	EN 1.4401 (AISI 316)
005-3	Intermediate casing bearing	EN 1.4301(AISI 304)	EN 1.4401 (AISI 316)
005-4	Discharge casing	EN 1.4301(AISI 304)	EN 1.4401 (AISI 316)
006	Bottom casing	EN 1.4301(AISI 304)	EN 1.4401 (AISI 316)
007	Outer casing	EN 1.4301(AISI 304)	EN 1.4401 (AISI 316)
021	Impeller	EN 1.4301(AISI 304)	EN 1.4401 (AISI 316)
031	Shaft	EN 1.4401 (AISI 316)	
043-1	Shaft sleeve (mechanical seal)	EN 1.4301(AISI 304)	EN 1.4401 (AISI 316)
043-2	Shaft sleeve (intermediate)	EN 1.4301(AISI 304)	EN 1.4401 (AISI 316)
043-3	Shaft sleeve (bearing)	EN 1.4301(AISI 304)	EN 1.4401 (AISI 316)
043-5	Shaft sleeve (last stage)	EN 1.4301(AISI 304)	EN 1.4401 (AISI 316)
043-6	Shaft sleeve (adjustment)	EN 1.4301(AISI 304)	EN 1.4401 (AISI 316)
044-1	Shaft sleeve bearing	Tungsten carbide	
046	Split ring (mechanical seal)	EN 1.4301(AISI 304)	EN 1.4401 (AISI 316)
047	Ring holder	EN 1.4301(AISI 304)	EN 1.4401 (AISI 316)
048	Impeller nut	A2-70 UNI 7323 with inox insert	A4-70 UNI 7323 with inox insert
051	Motor adapter	Cast iron EN-GJL-200-EN 1561	
052-1	Bearing	Tungsten carbide	
056	Ball bearing	See table pag. 500	
070-1	Ring for bearing	EN 1.4301(AISI 304)	
075	O-ring (plug)	FPM	
075-1	O-ring (plug)	FPM	/
107	Liner ring	PTFE/EN 1.4401 (AISI 316)	
111	Mechanical seal	Silicon carbide/Carbon/FPM	
111-3	Mechanical seal seat	EN 1.4301(AISI 304)	EN 1.4401 (AISI 316)
115-1	O-ring (outer casing)	FPM	
115-2	O-ring (intermediate casing)	FPM	
115-5	O-ring	FPM	

(For reference only. See pricing for part availability.)

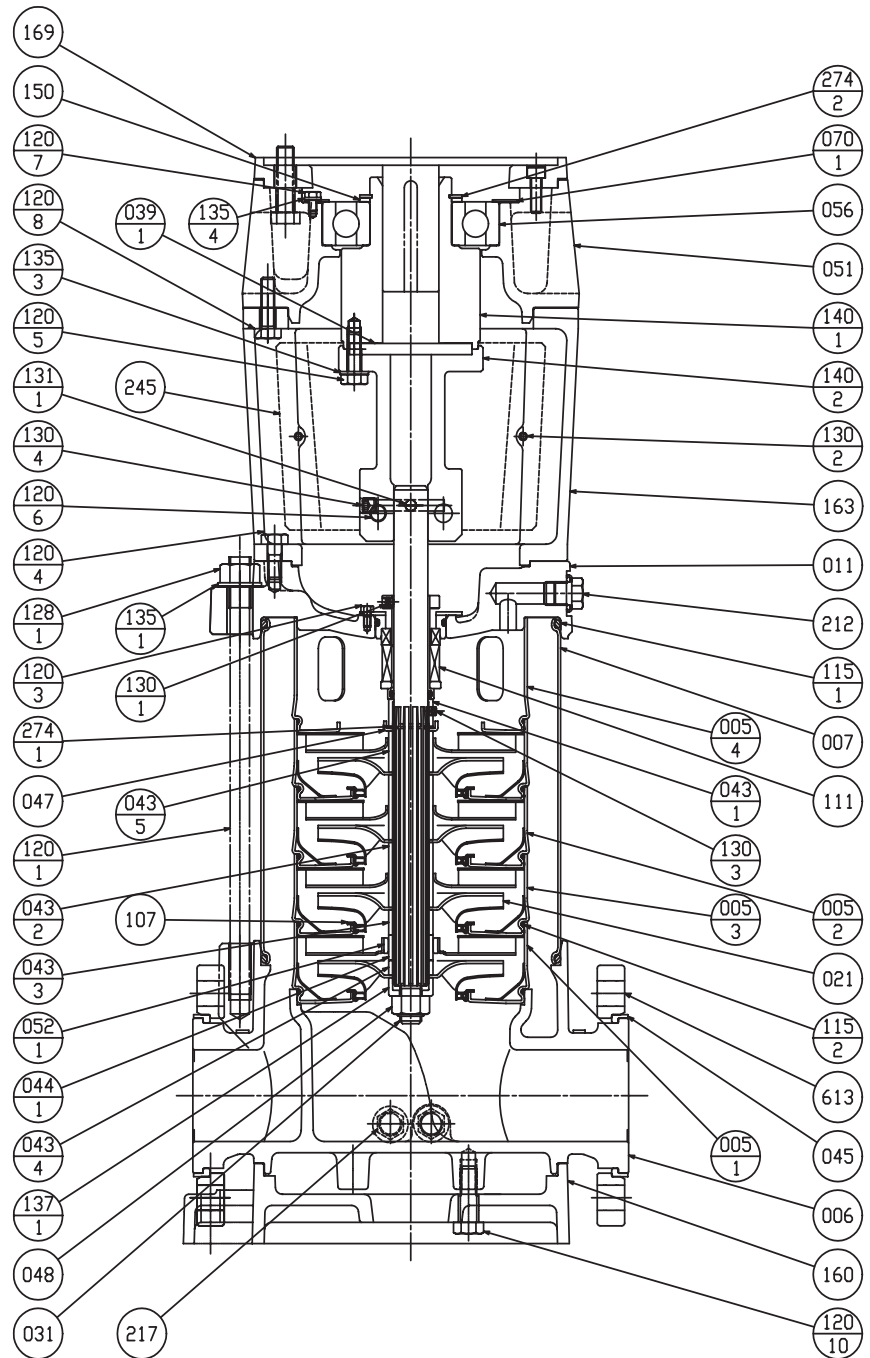
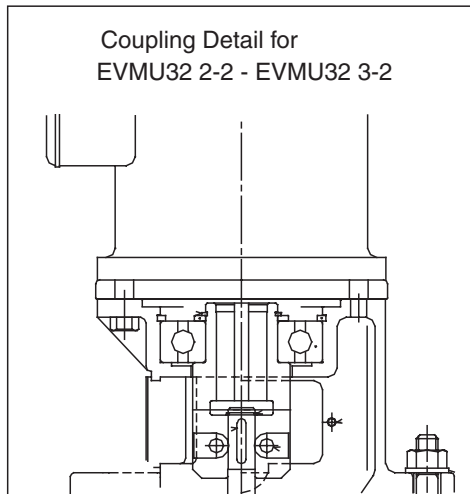
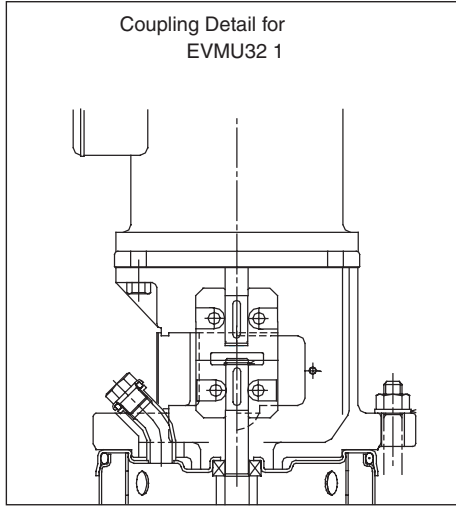
Model EVMU / EVMUL
EBARA Stainless Steel Vertical Multistage
Sectional View – part reference
Model EVMU(L)18

N°	Part name	Material	
		EVMU	EVML
120-1	Tie rod	Zincate steel	
120-3	Screw	A2-70 UNI 7323	
120-5	Screw for coupling	Zincate steel 8.8 strength class ISO 898/1	
120-6	Screw for coupling	EVMU18 2	
		EVMU18 3 to 5	
		EVMU18 6 to 11	
120-7	Screw (bearing)	Zincate steel 8.8 strength class ISO 898/1	
128-1	Nut for tie rod	Zincate steel	
130-2	Screw for coupling guard	A2-70 UNI 7323	
130-4	Set-screw	Carbon steel	
131-1	Pin for shaft	Carbon steel	
135-1	Washer	Zincate steel	
135-4	Washer (bearing)	Carbon steel	
137-1	Impeller spacer	EN 1.4301(AISI 304)	EN 1.4401 (AISI 316)
140	Coupling	Brass OT 58 UNI 5705	
150	Spacer	Carbon steel	
160	Base	Cast iron EN-GJL-200-EN 1561	
162	Motor bracket	Cast iron EN-GJL-200-EN 1561+ EN 1.4301(AISI 304)	Cast iron + EN 1.4401 (AISI 316)
169	Motor adapter	Cast iron EN-GJL-200-EN 1561	
212	Plug	EN 1.4301(AISI 304)	EN 1.4401 (AISI 316)
212-1	Plug	EN 1.4301(AISI 304)	EN 1.4401 (AISI 316)
245	Coupling guard	EN 1.4301(AISI 304)	
273	Washer (plug)	EN 1.4301(AISI 304)	EN 1.4401 (AISI 316)
273-1	Washer (plug)	EN 1.4301(AISI 304)	/
274-1	C-type snap ring (coupling)	EN 1.4301(AISI 304)	EN 1.4401 (AISI 316)
274-2	C-type snap ring (coupling)	EVMU18 3 to 4	
		EVMU18 5	
		EVMU18 6 to 10	
		EVMU18 11	
274-3	C-type snap ring (bracket)	EVMU18 3 to 4	
		EVMU18 5	

(For reference only. See pricing for part availability.)

Sectional View

**Model EVMUG32
EVMUL32**



Refer to page 841 for material details.

(For reference only. See pricing for part availability.)

Model EVMUG / EVMUL
EBARA Stainless Steel Vertical Multistage
Sectional View – part reference
Model EVMUG32
EVMUL32

NO.	PART NAME	MATERIAL	
		EVMUG	EVMUL
005-1	Stage casing (suction)	AISI304	AISI316
005-2	Stage casing	AISI304	AISI316
005-3	Stage casing (bearing)	AISI304	AISI316
005-4	Stage casing (Top)	AISI304	AISI316
006	Bottom casing	Cast iron EN-GJL-250	Cast AISI316 (G-X6CrNiMo18 0)
007	Outer sleeve	AISI304	AISI316
011	Casing cover	Cast iron EN-GJS-400-15	Cast iron EN-GJS-400-15+AISI304
021	Impeller	AISI304	AISI316
031	Shaft	AISI316	
039-1	Key (coupling)	C45	
043-1	Shaft sleeve (mechanical seal)	AISI304	AISI316
043-2	Shaft sleeve (stage)	AISI304	AISI316
043-3	Shaft sleeve (bearing/upper)	AISI304	AISI316
043-4	Shaft sleeve (bearing/lower)	AISI304	AISI316
043-5	Shaft sleeve (top)	AISI304	AISI316
044-1	Bearing sleeve (stage)	Tungsten carbide	
045	Adjusting ring	C40	
047	Split ring retainer	AISI304	AISI316
048	Friction nut	AISI304	AISI316
051	Bearing housing	Cast iron EN-GJL-200	
052-1	Bearing (stage)	Tungsten carbide	
056	Ball bearing	-	
070-1	Bearing holder	AISI304	
107	Wear ring	AISI316+PTFE	
111	Mechanical seal Cartridge ass'y	SiC/Carbon/FPM/316	
115-1	O-ring (outer)	FPM	
115-2	O-ring (stage)	FPM	
120-1	Tie-rod bolt	Zincate steel with 6.8 strength class ISO 898/1	
120-3	Bolt (mechanical seal)	Stainless steel A2-70 ISO3506	
120-4	Bolt (casing cover)	Stainless steel A2-70 ISO3506	
120-5	Bolt (coupling M-side)	Zincate steel with 8.8 strength class ISO 898/1	
120-6	Bolt (coupling P-side)	Zincate steel with 8.8 strength class ISO 898/1	
120-7	Bolt (bearing)	Zincate steel with 8.8 strength class ISO 898/1	
120-8	Bolt (bearing housing)	Zincate steel with 8.8 strength class ISO 898/1	
120-10	Bolt (base plate)	Zincate steel with 8.8 strength class ISO 898/1	
128-1	Nut (tie-rod bolt)	Zincate steel with 6S strength class ISO 898/2	
130-1	Screw (mechanical seal)	Stainless steel A2-70 ISO3506	
130-2	Screw (coupling guard)	Stainless steel A2-70 ISO3506	
130-3	Screw (mechanical seal)	Stainless steel A2-70 ISO3506	
130-4	Screw (coupling pin)	Strength class 45H ISO898/5	
131-1	Pin (shaft)	CF35SMnPb10	
135-1	Washer (tie-rod bolt)	Zincate steel	
135-3	Spring washer (coupling bolt M-side)	Zincate steel	
135-4	Spring washer (bearing)	Zincate steel	
137-1	Shaft end sleeve	AISI304	AISI316
140-1	Coupling upper half	Steel (36SMnPb14)	
140-2	Coupling lower half	Steel (36SMnPb14)	
150	Spacer (coupling)	C45	
160	Base plate	Cast iron EN-GJL-200	
163	Motor stool	Cast iron EN-GJL-200	
169	Motor liner	Cast iron EN-GJL-200	
212	Vent plug (with seal ring)	AISI304/FPM	AISI316/FPM
217	Plug (with seal ring)	AISI304/FPM	AISI316/FPM
245	Coupling guard	AISI304	
274-1	C-ring (top)	AISI304	AISI316
274-2	C-ring (coupling)	Carbon tool steel (TC80)	
613	Pump flange	C40	

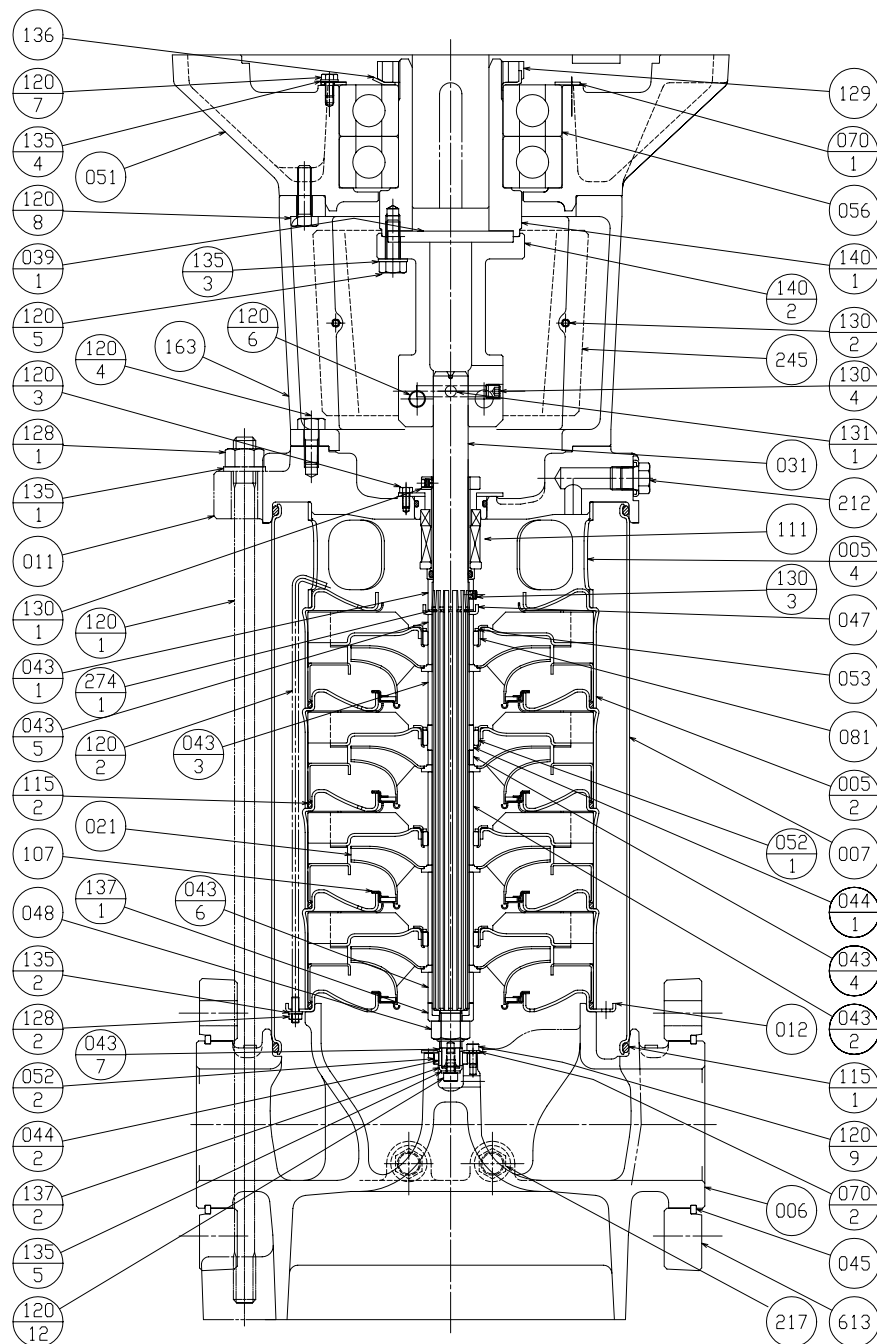
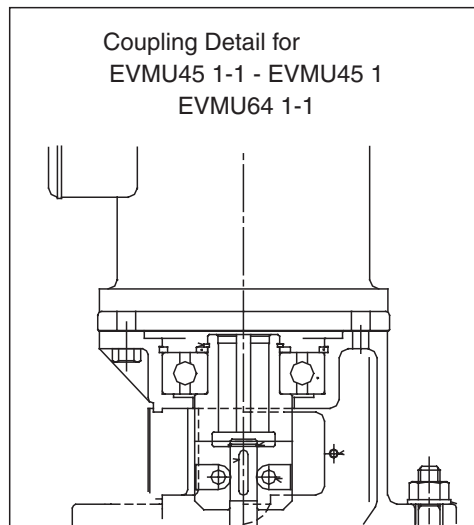
(For reference only. See pricing for part availability.)


EBARA Fluid Handling
www.pumpsebara.com

(t) 803 327-5005 • (f) 803 327-5097

Sectional View

Models **EVMUG45**
EVMUG64
EVMUL45
EVMUL64



Refer to page 843 for material details.

(For reference only. See pricing for part availability.)

Model EVMUG / EVMUL
EBARA Stainless Steel Vertical Multistage
Sectional View – part reference
(See pricing for part availability.)
**Model EVMUG45 EVMUG64
EVMUL45 EVMUL64**

NO.	PART NAME	MATERIAL	
		EVMUG	EVMUL
005-2	Stage casing	AISI304	AISI316
005-4	Top casing	AISI304	AISI316
006	Bottom casing	16bar:Cast iron EN-GJL-250	Cast AISI316 (G-X6CrNiMo18 0)
		25bar:Cast iron EN-GJS-400-15	
007	Outer sleeve	AISI304	AISI316
011	Casing cover	Cast iron EN-GJS-400-15	Cast iron EN-GJS-400-15+AISI316
012	Suction cover	AISI304	AISI316
021	Impeller	AISI304	AISI316
031	Shaft	AISI316	
039-1	Key (coupling)	C45	
043-1	Shaft sleeve (mechanical seal)	AISI304	AISI316
043-2	Shaft sleeve (stage)	AISI304	AISI316
043-3	Shaft sleeve (bearing/upper)	AISI304	AISI316
043-4	Shaft sleeve (bearing/lower)	AISI304	AISI316
043-5	Shaft sleeve (top)	AISI304	AISI316
043-6	Shaft sleeve (suction)	AISI304	AISI316
043-7	Shaft sleeve (bottom bearing)	AISI304	AISI316
044-1	Bearing sleeve (stage)	Tungsten carbide	
044-2	Bearing sleeve (bottom bearing)	Tungsten carbide	
045	Adjusting ring	C40	
047	Split ring retainer	AISI304	AISI316
048	Friction nut	AISI304	AISI316
051	Bearing housing	Cast iron EN-GJL-200	
052-1	Bearing (stage)	Tungsten carbide	
052-2	Bearing (bottom)	Tungsten carbide	
053	Bush holder	AISI304	AISI316
056	Ball bearing	-	
070-1	Bearing holder	AISI304	
070-2	Bearing holder (bottom bearing)	AISI304	AISI316
081	Bush	PTFE(ally)	
107	Wear ring	AISI316+PTFE	
111	Mechanical seal Cartridge ass'y	SiC/Carbon/FPM/316	
115-1	O-ring (outer)	FPM	
115-2	O-ring (stage)	FPM	
120-1	Tie-rod bolt	Zincate steel with 6.8 strength class ISO 898/1	
120-2	Stack bolt	AISI304	AISI316
120-3	Bolt (mechanical seal)	Stainless steel A2-70 ISO3506	
120-4	Bolt (casing cover)	Stainless steel A2-70 ISO3506	
120-5	Bolt (coupling M-side)	Zincate steel with 8.8 strength class ISO 898/1	
120-6	Bolt (coupling P-side)	Zincate steel with 8.8 strength class ISO 898/1	
120-7	Bolt (bearing)	Zincate steel with 8.8 strength class ISO 898/1	
120-8	Bolt (bearing housing)	Zincate steel with 8.8 strength class ISO 898/1	
120-9	Bolt (bottom bearing)	Stainless steel A2-70 ISO3506	
120-12	Bolt (shaft end)	Stainless steel A2-70 ISO3506	
128-1	Nut (tie-rod bolt)	Zincate steel with 6S strength class ISO 898/2	
128-2	Nut (Stack bolt)	AISI304	
129	Bearing nut (coupling)	Carbon steel	
130-1	Screw (mechanical seal)	Stainless steel A2-70 ISO3506	
130-2	Screw (coupling guard)	Stainless steel A2-70 ISO3506	
130-3	Screw (mechanical seal)	Stainless steel A2-70 ISO3506	
130-4	Screw (coupling pin)	Strength class 45H ISO898/5	
131-1	Pin (shaft)	CF35SMnPb10	
135-1	Washer (tie-rod bolt)	Zincate steel	
135-2	Spring washer (Stack bolt)	AISI304	AISI316
135-3	Spring washer (coupling bolt M-side)	Zincate steel	
135-4	Spring washer (bearing)	Zincate steel	
135-5	Spring washer (shaft end)	AISI304	AISI316
136	Bearing washer (coupling)	Carbon steel	
137-1	Shaft end sleeve	AISI304	AISI316
137-2	Shaft end sleeve	AISI304	AISI316
140-1	Coupling upper half	Steel (36SMnPb14)	
140-2	Coupling lower half	Steel (36SMnPb14)	
163	Motor stool	Cast iron EN-GJL-200	
212	Vent plug (with seal ring)	AISI304/FPM	AISI316/FPM
217	Plug (with seal ring)	AISI304/FPM	AISI316/FPM
245	Coupling guard	AISI304	
274-1	C-ring (top)	AISI304	AISI316
613	Pump flange	C40	

(For reference only. See pricing for part availability.)
