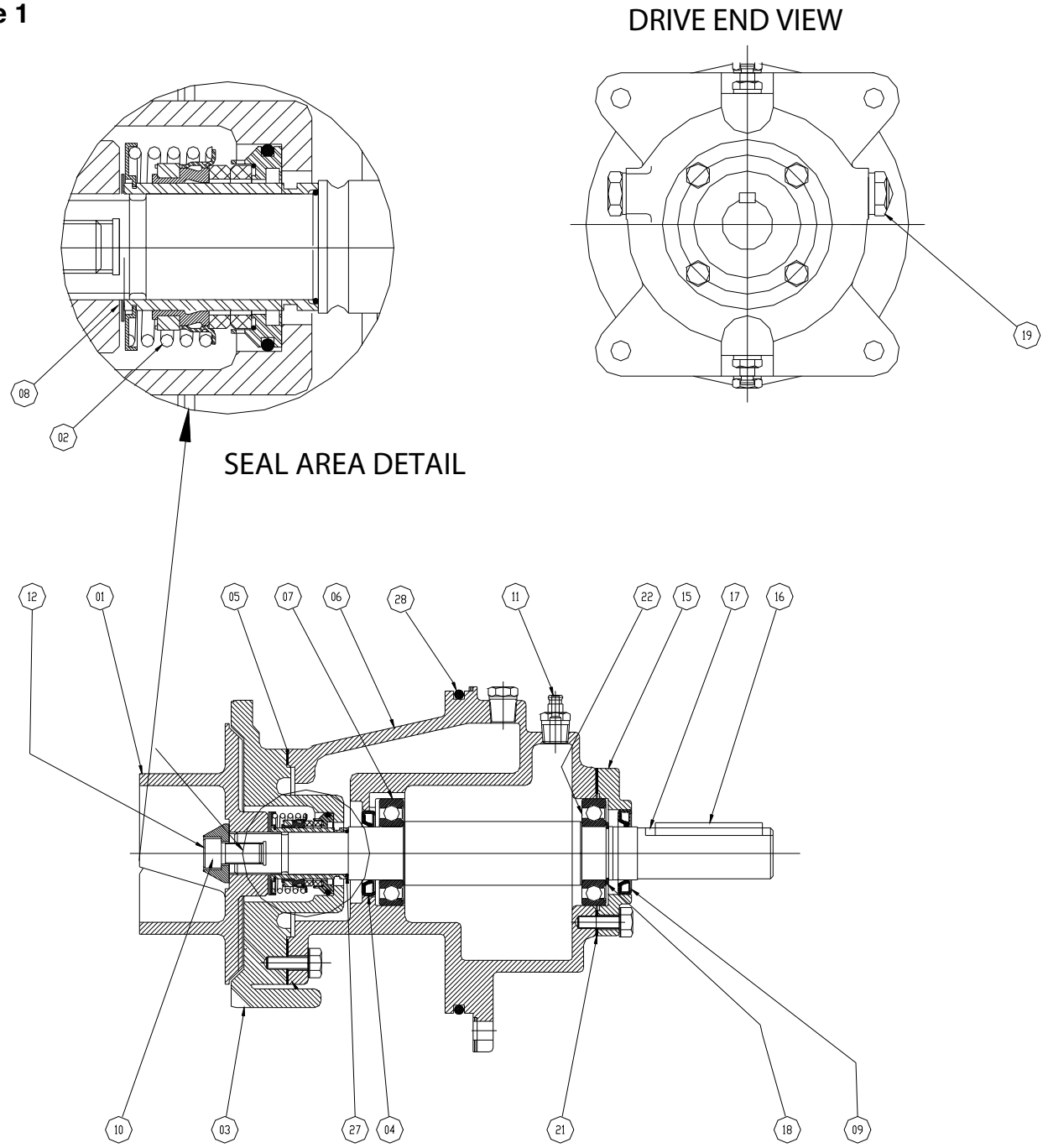


Sectional View

Project: _____ Model: _____ Chk'd: _____ Date: _____

**Model EFQT 2, 3 – Repair Rotating Assembly
Figure 1**



Sectional View – Part Numbers

Project:

Model:

Chk'd:

Date:

Model EFQT2/EFQT3
Figure 1. Repair Rotating Assembly

Callout #	Notes	Part Name	QTY
Rotating Assembly Rebuild Kit			1
02	*/**	Mechanical Seal	1
04	*/**	Inboard Oil Seal	1
05	*/**	Seal Plate Gasket	1
07	*/**	Inboard Ball Bearing	1
09	*/**	Outboard Oil Seal	1
18		Bearing Retaining Ring	1
21	*/**	Bearing Cap Gasket	1
22	*/**	Outboard Ball Bearing	1
27	*/***	Inboard Seal Plate O-Ring	1
28	*/**	Rotating Assembly O-Ring	1
01	*	Impeller	1
03		Seal Plate	1
06		Bearing Housing	1
08		Impeller Adjusting Washers	1 Set
10		Impeller Capscrew	1
11		Air Vent	1
12		Impeller Washer	1
15		Bearing Cap	1
16	*	Shaft Key	1
17		Impeller Shaft	1
19		Sight Gauge	1

NOTES:

Parts included in assembly kit are shown in shaded area.

*Recommended spare part

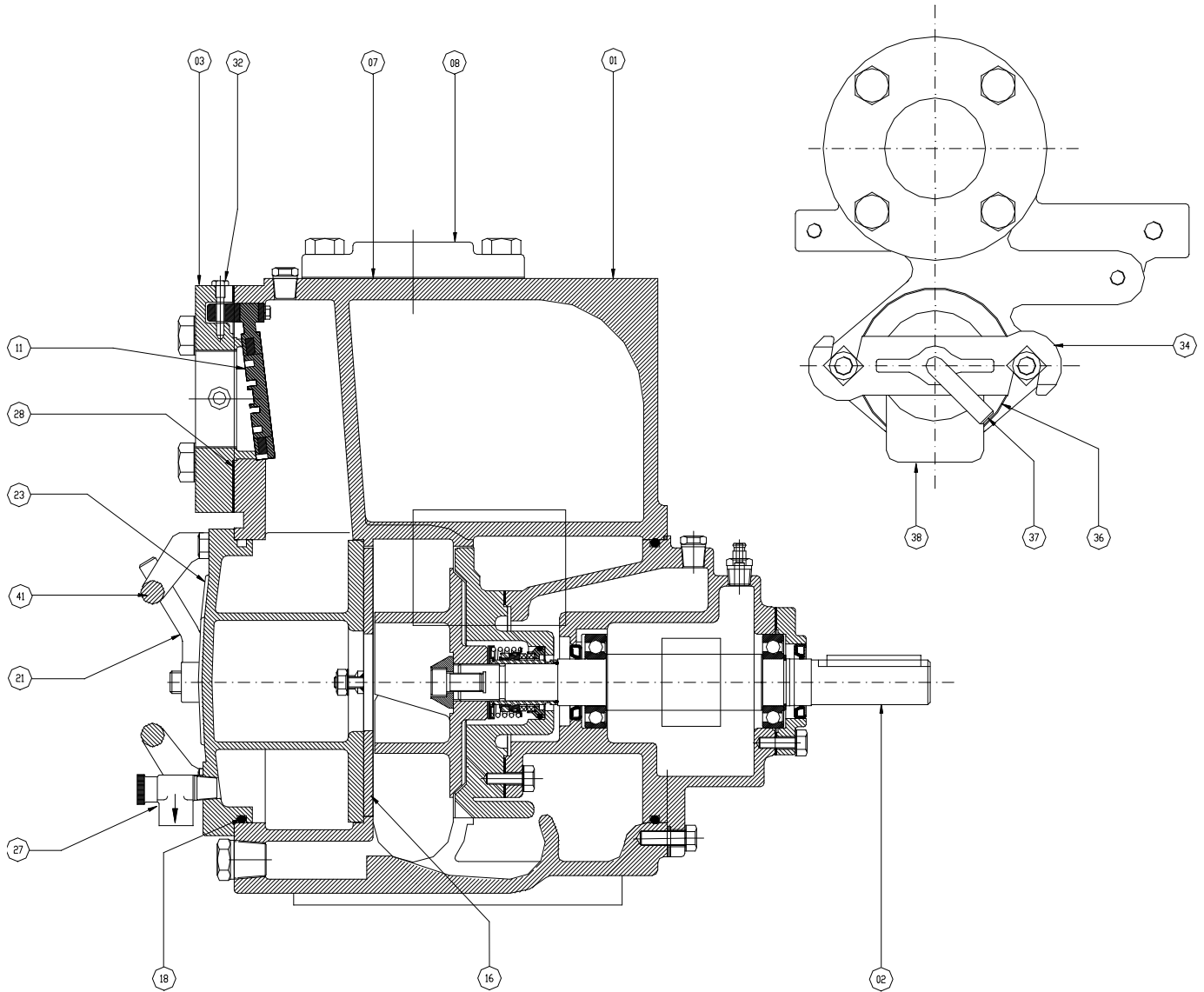
**Part sold separate from kit

***Included with mechanical seal

Sectional View

Project: _____ Model: _____ Chk'd: _____ Date: _____

Model EFQT 2, 3
Figure 2



Sectional View – Part Numbers

Project: _____ Model: _____ Chk'd: _____ Date: _____

Model EFQT2/EFQT3
Figure 2. Pump Model

Callout #	Notes	Part Name	QTY
01		Pump Casing	1
02	*	Rotating Assembly	1
03		Suction Flange	1
07	*	Discharge Gasket	1
08		Discharge Flange	1
21		Hand Nut	2
34		Clamp Bar	1
37		Clamp Bar Screw	1
	*	Check Valve Assembly	1
11		Suction Check Valve	1
28		Suction Flange Gasket	1
32		Check Valve Pin	1
	*	Fill Cover Assembly	1
36		Fill Cover Gasket	1
38		Fill Cover Plate	1
		Back Cover Plate Assembly	1
16	*/**	Wear Plate	1
18	*/**	Back Cover O-Ring	1
23	**	Back Cover Plate	1
27	**	Pressure Relief Valve	1
41		Cover Plate Handle	1

NOTES:

Parts included in assembly kit are shown in shaded area.

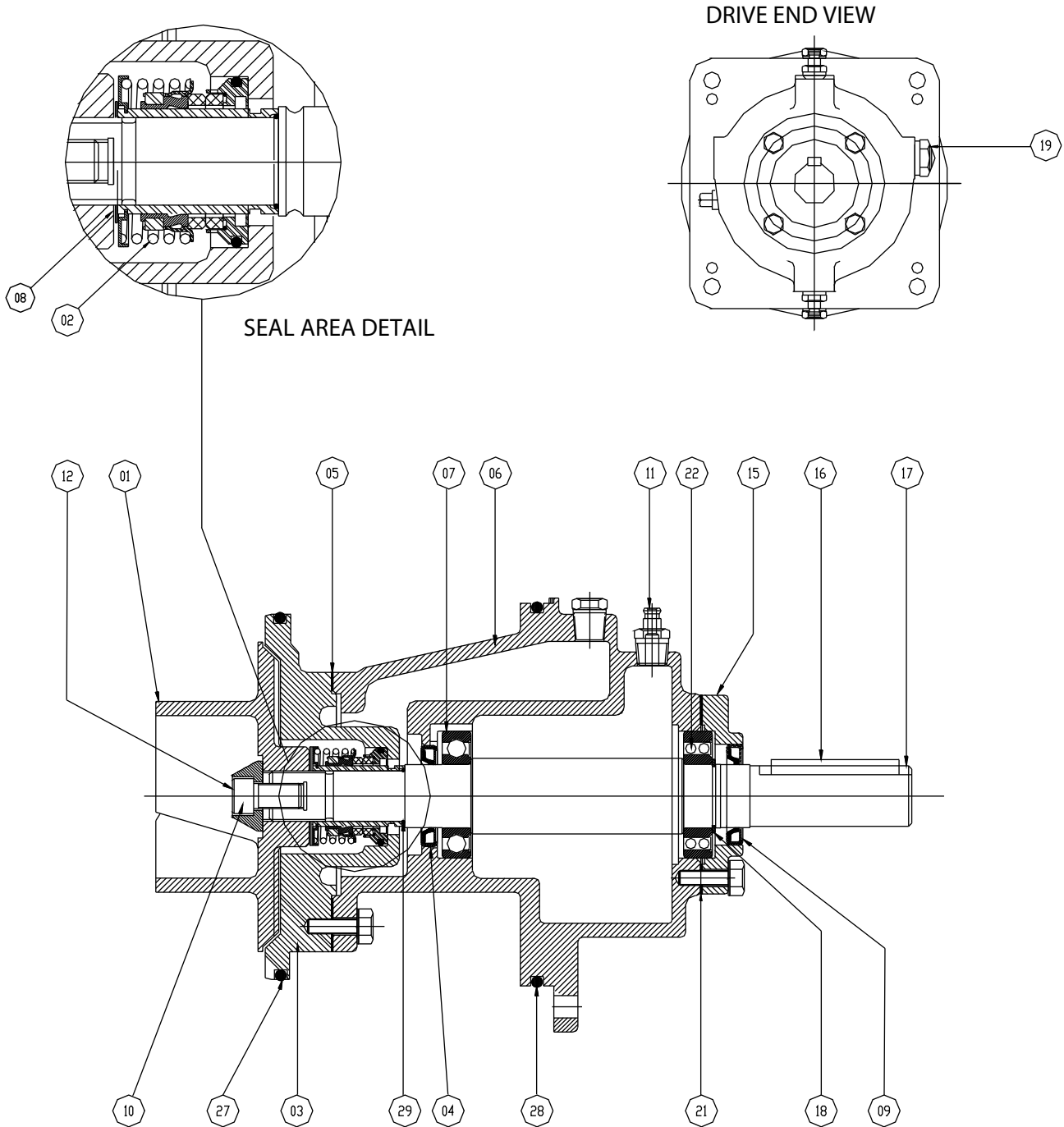
*Recommended spare part

**Part sold separate from kit

Sectional View

Project: _____ Model: _____ Chk'd: _____ Date: _____

**Model EFQT4 – Repair Rotating Assembly
Figure 1**



Sectional View – Part Numbers

Project:

Model:

Chk'd:

Date:

Model EFQT4
Figure 1. Repair Rotating Assembly

Callout #	Notes	Part Name	QTY
Rotating Assembly Rebuild Kit			1
02	*/**	Mechanical Seal	1
04	*/**	Inboard Oil Seal	1
05	*/**	Seal Plate Gasket	1
07	*/**	Inboard Ball Bearing	1
09	*/**	Outboard Oil Seal	1
18		Bearing Retaining Ring	1
21	*/**	Bearing Cap Gasket	1
22	*/**	Outboard Ball Bearing	1
27	*/**	Seal Plate O-Ring	1
28	*/**	Rotating Assembly O-Ring	1
29	*/***	Inboard Seal Plate O-Ring	1
01	*	Impeller	1
03		Seal Plate	1
06		Bearing Housing	1
08		Impeller Adjusting Washers	1 Set
10		Impeller Capscrew	1
11		Air Vent	1
12		Impeller Washer	1
15		Bearing Cap	1
16	*	Shaft Key	1
17		Impeller Shaft	1
19		Sight Gauge	1

NOTES:

Parts included in assembly kit are shown in shaded area.

*Recommended spare part

**Part sold separate from kit

***Included with mechanical seal

Sectional View

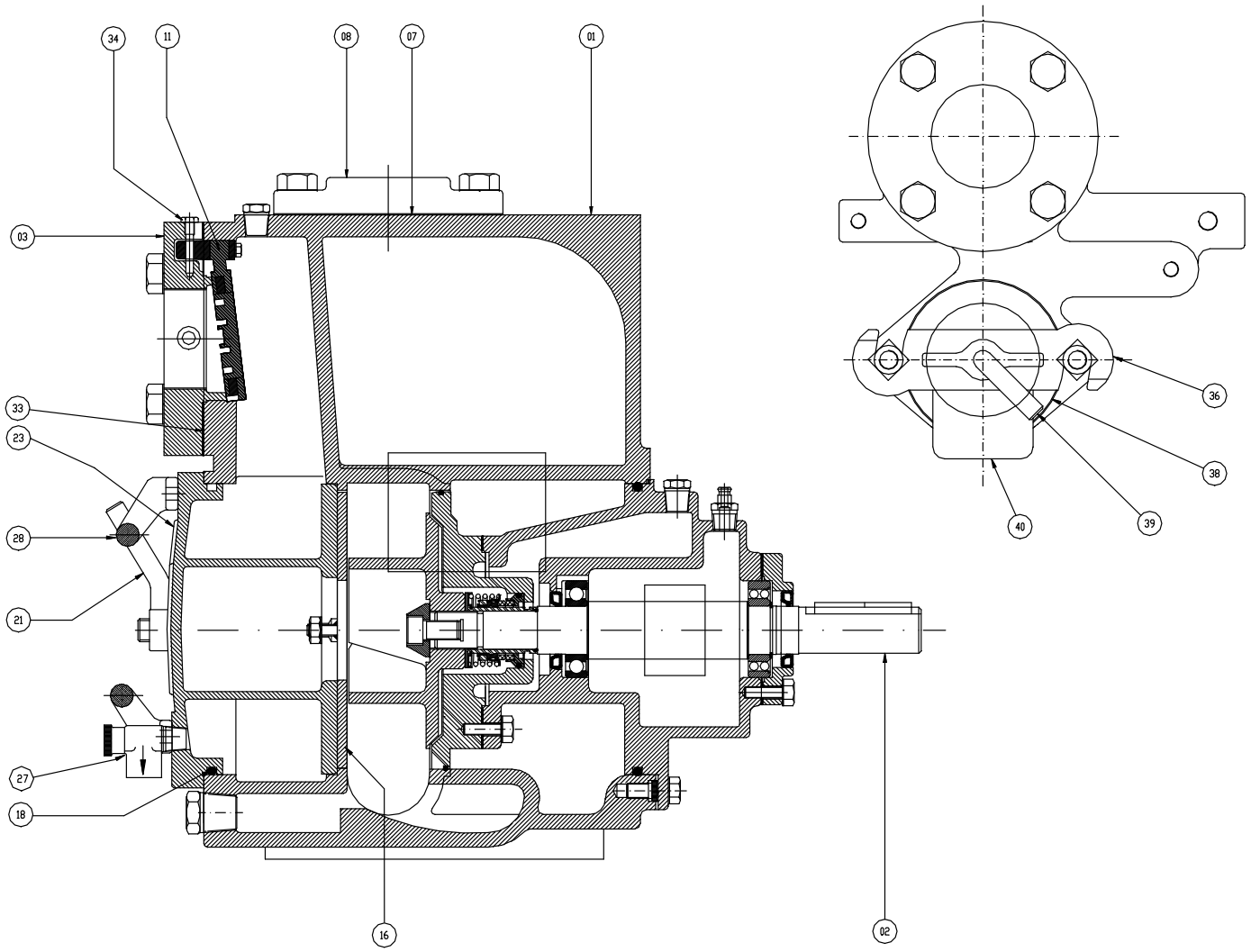
Project:

Model:

Chk'd:

Date:

**Model EFQT4
Figure 2**



Sectional View – Part Numbers

Project: _____ Model: _____ Chk'd: _____ Date: _____

Model EFQT4
Figure 2. Pump Model

Callout #	Notes	Part Name	QTY
01		Pump Casing	1
02	*	Rotating Assembly	1
03		Suction Flange	1
07	*	Discharge Gasket	1
08		Discharge Flange	1
21		Hand Nut	2
36		Clamp Bar	1
39		Clamp Bar Screw	1
	*	Check Valve Assembly	1
11		Suction Check Valve	1
33		Suction Flange Gasket	1
34		Check Valve Pin	1
	*	Fill Cover Assembly	1
39		Fill Cover Gasket	1
40		Fill Cover Plate	1
		Back Cover Plate Assembly	1
16	*/**	Wear Plate	1
18	*/**	Back Cover O-Ring	1
23	**	Back Cover Plate	1
27	**	Pressure Relief Valve	1
28		Cover Plate Handle	1

NOTES:

Parts included in assembly kit are shown in shaded area.

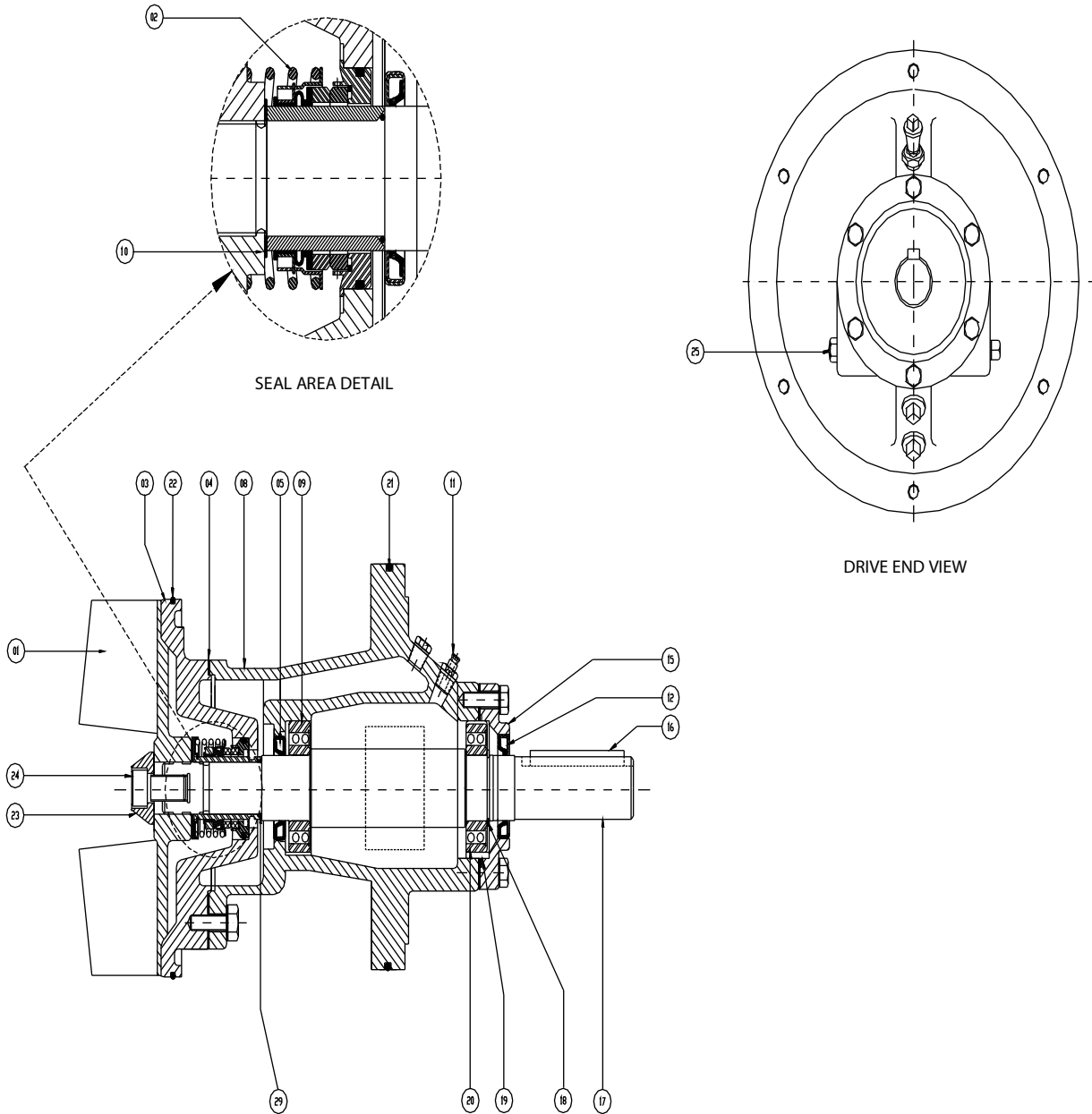
*Recommended spare part

**Part sold separate from kit

Sectional View

Project: _____ Model: _____ Chk'd: _____ Date: _____

**Model EFQT6 – Repair Rotating Assembly
Figure 1**



Sectional View – Part Numbers

Project:

Model:

Chk'd:

Date:

Model EFQT6
Figure 1. Repair Rotating Assembly

Callout #	Notes	Part Name	QTY
Rotating Assembly Rebuild Kit			1
02	*/**	Mechanical Seal	1
04	*/**	Seal Plate Gasket	1
05	*/**	Inboard Oil Seal	1
09	*/**	Inboard Ball Bearing	1
12	*/**	Outboard Oil Seal	1
18		Bearing Retaining Ring	1
19	*/**	Bearing Cap Gasket	1
20	*/**	Outboard Ball Bearing	1
21	*/**	Rotating Assembly O-Ring	1
22	**	Seal Plate O-Ring	1
29	*/***	Inboard Seal Plate O-ring	1
01	*	Impeller	1
03		Seal Plate	1
08		Bearing Housing	1
10		Impeller Adjusting Washers	1 Set
11		Air Vent	1
15		Bearing Cap	1
16	*	Shaft Key	1
17		Impeller Shaft	1
23		Impeller Washer	1
24		Impeller Capscrew	1
25		Sight Gauge	1

NOTES:

Parts included in assembly kit are shown in shaded area.

*Recommended spare part

**Part sold separate from kit

***Included with mechanical seal

Sectional View

Project:

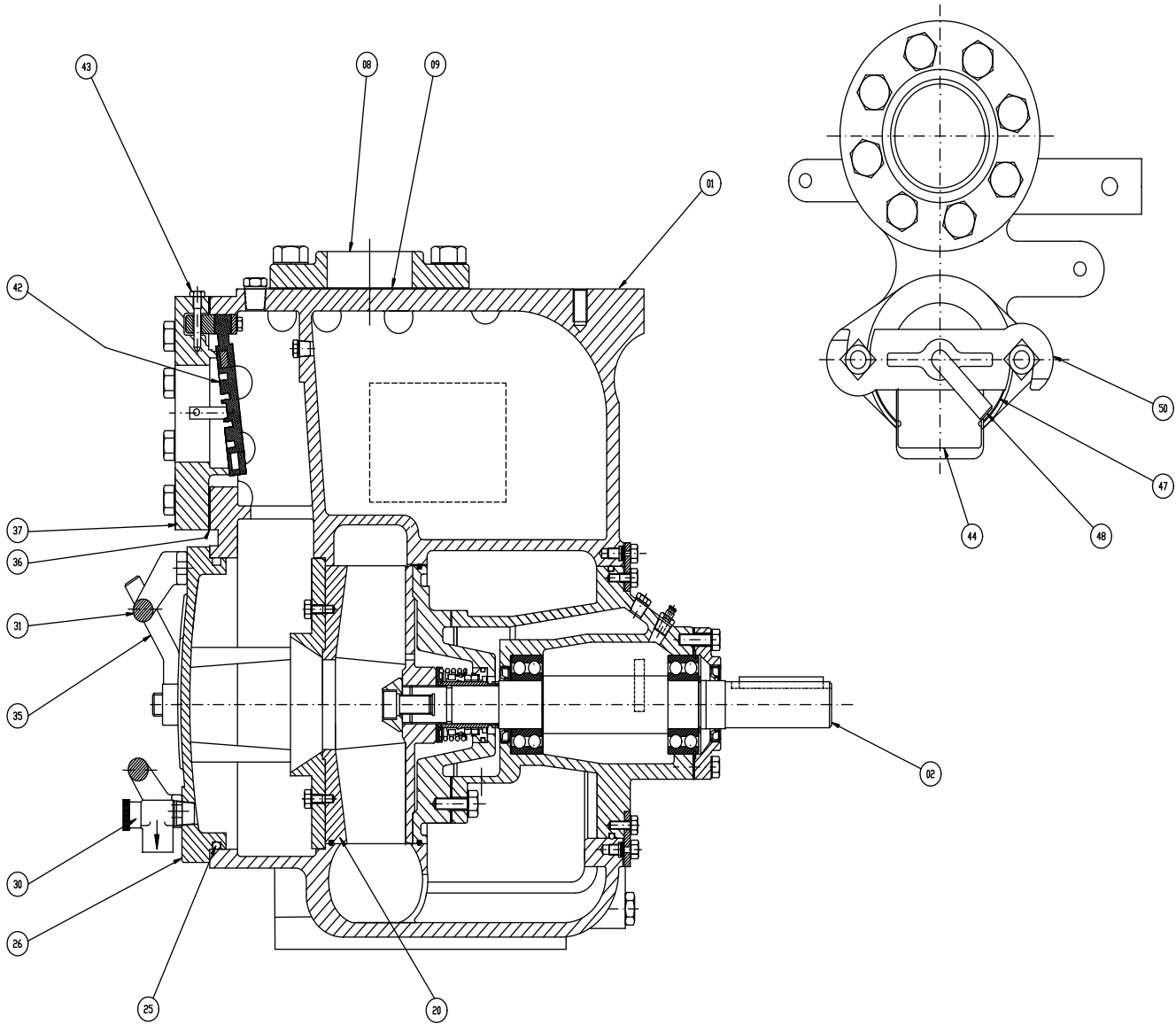
Model:

Chk'd:

Date:

Model EFQT6

Figure 2



Sectional View – Part Numbers

Project: _____ Model: _____ Chk'd: _____ Date: _____

Model EFQT6
Figure 2. Pump Model

Callout #	Notes	Part Name	QTY
01		Pump Casing	1
02	*	Rotating Assembly	1
08		Discharge Flange	1
09	*	Discharge Gasket	1
35		Hand Nut	2
37		Suction Flange	1
48		Clamp Bar Screw	1
50		Clamp Bar	1
	*	Check Valve Assembly	1
36		Suction Flange Gasket	1
42		Suction Check Valve	1
43		Check Valve Pin	1
	*	Fill Cover Assembly	1
44		Fill Cover Plate	1
47		Fill Cover Gasket	1
		Back Cover Plate Assembly	1
20	*/**	Wear Plate	1
25	*/**	Back Cover O-Ring	1
26	**	Back Cover Plate	1
30	**	Pressure Relief Valve	1
31		Cover Plate Handle	2

NOTES:

Parts included in assembly kit are shown in shaded area.

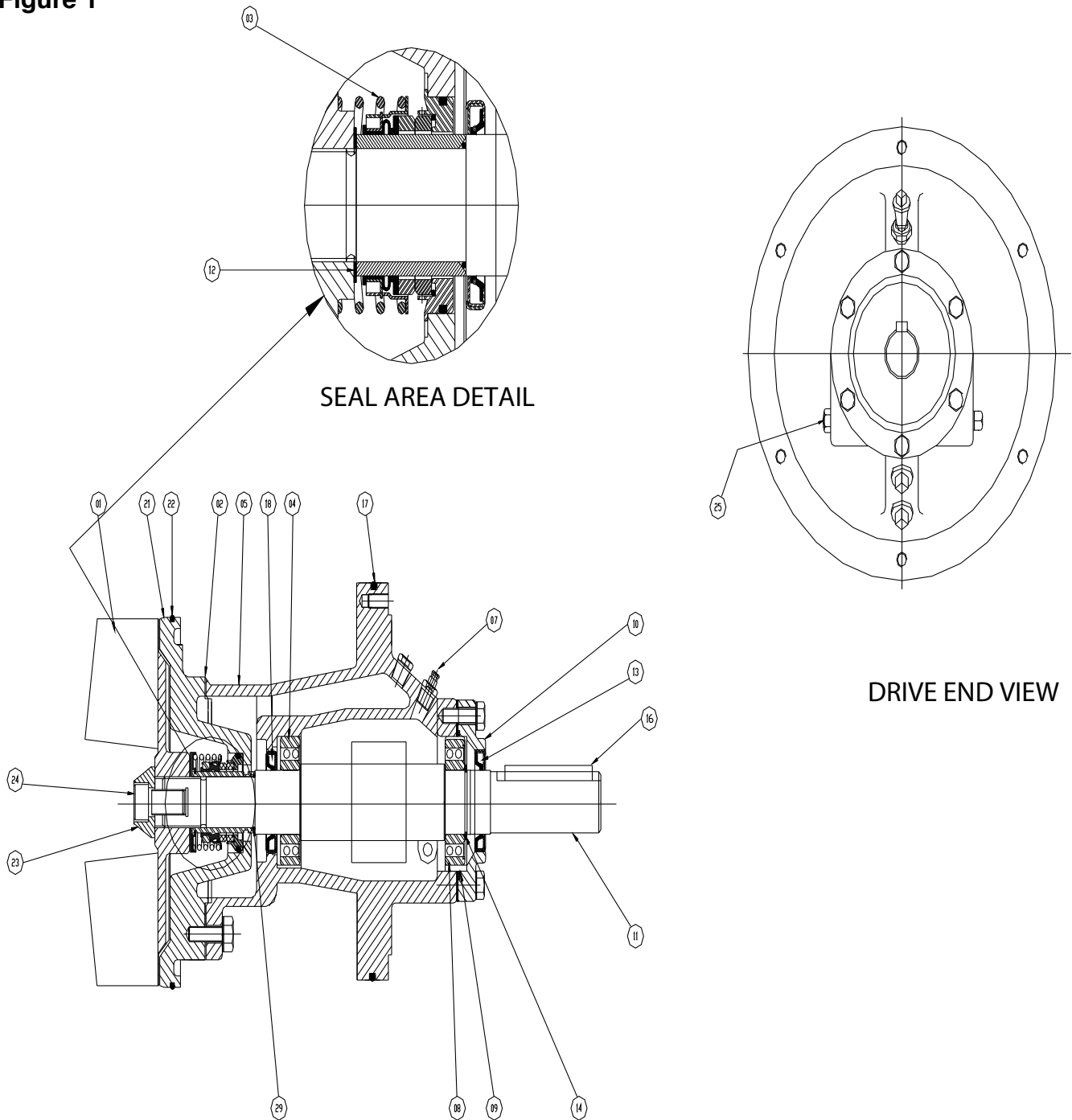
*Recommended spare part

**Part sold separate from kit

Sectional View

Project: _____ Model: _____ Chk'd: _____ Date: _____

**Model EFQT8 – Repair Rotating Assembly
Figure 1**



Sectional View – Part Numbers

Project:

Model:

Chk'd:

Date:

Model EFQT8
Figure 1. Repair Rotating Assembly

Callout #	Notes	Part Name	QTY
Rotating Assembly Rebuild Kit			1
02	*/**	Seal Plate Gasket	1
03	*/**	Mechanical Seal	1
04	*/**	Inboard Ball Bearing	1
08	*/**	Outboard Ball Bearing	1
09	*/**	Bearing Cap Gasket	1
13	*/**	Outboard Oil Seal	1
14		Bearing Retaining Ring	1
17	*/**	Rotating Assembly O-Ring	1
18	*/**	Inboard Oil Seal	1
22	*/**	Seal Plate O-Ring	1
29	*/***	Inboard Seal Plate O-Ring	1
01	*	Impeller	1
05		Bearing Housing	1
07		Air Vent	1
10		Bearing Cap	1
11		Impeller Shaft	1
12		Impeller Adjusting Washers	1 Set
16	*	Shaft Key	1
21		Seal Plate	1
23		Impeller Washer	1
24		Impeller Capscrew	1
25		Sight Gauge	1

NOTES:

Parts included in assembly kit are shown in shaded area.

*Recommended spare part

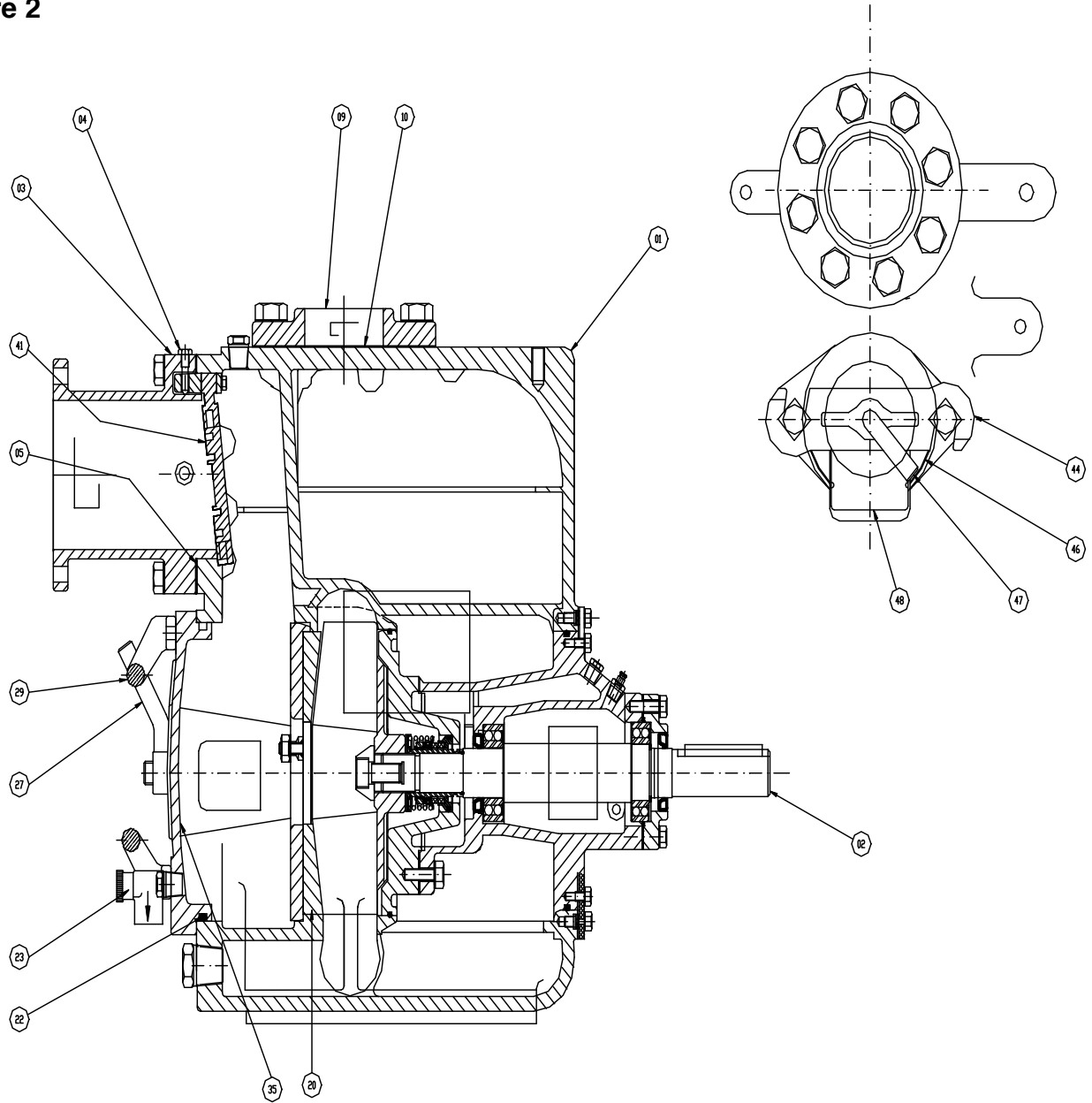
**Part sold separate from kit

***Included with mechanical seal

Sectional View

Project: _____ Model: _____ Chk'd: _____ Date: _____

**Model EFQT8
Figure 2**



Sectional View – Part Numbers

Project: _____ Model: _____ Chk'd: _____ Date: _____

Model EFQT8
Figure 2. Pump Model

Callout #	Notes	Part Name	QTY
01		Pump Casing	1
02	*	Rotating Assembly	1
03		Suction Flange	1
09		Discharge Flange	1
10	*	Discharge Gasket	1
27		Hand Nut	2
44		Clamp Bar	1
47		Clamp Bar Screw	1
	*	Check Valve Assembly	1
04		Check Valve Pin	1
05		Suction Flange Gasket	1
41		Suction Check Valve	1
	*	Fill Cover Assembly	1
46		Fill Cover Gasket	1
48		Fill Cover Plate	1
		Back Cover Plate Assembly	1
20	*/**	Wear Plate	1
22	*/**	Back Cover O-Ring	1
23	**	Pressure Relief Valve	1
29		Cover Plate Handle	2
35	**	Back Cover Plate	1

NOTES:

Parts included in assembly kit are shown in shaded area.

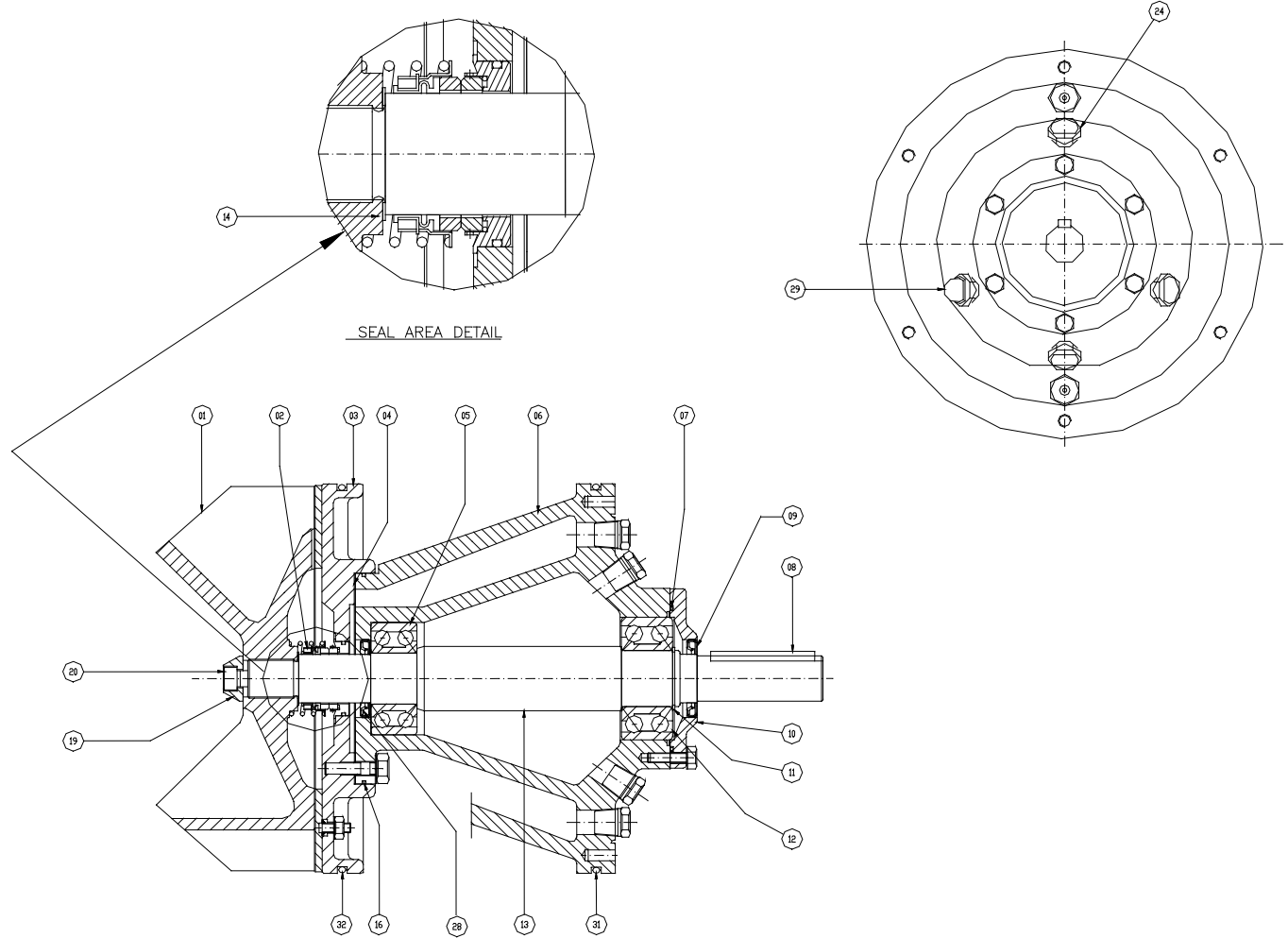
*Recommended spare part

**Part sold separate from kit

Sectional View

Project: _____ Model: _____ Chk'd: _____ Date: _____

**Model EFQT10 – Repair Rotating Assembly
Figure 2**



Sectional View – Part Numbers

Project: _____ Model: _____ Chk'd: _____ Date: _____

Model EFQT10
Figure 1. Repair Rotating Assembly

Callout #	Notes	Part Name	QTY
Rotating Assembly Rebuild Kit			1
02	*/**/***	Mechanical Seal	1
04	*/**	Seal Plate Gasket	1
05	*/**	Inboard Ball Bearing	1
07	*/**	Bearing Cap Gasket	1
09	*/**	Outboard Oil seal	1
11		Bearing Retaining Ring	1
12	*/**	Outboard Ball Bearing	1
16	*/**	Bearing Housing O-Ring	1
28	*/**	Inboard Oil Seal	1
31	*/**	Rotating Assembly O-Ring	1
32	*/**	Seal Plate O-Ring	1
01	*	Impeller	1
03		Seal Plate	1
06		Bearing Housing	1
08	*	Shaft Key	1
10		Bearing Cap	1
13		Impeller Shaft	1
14		Impeller Adjusting Washers	1 Set
19		Impeller Washer	1
20		Impeller Capscrew	1
24		Air Vent	1
29		Sight Gauge	1
30		Back Wear Plate	1

NOTES:

Parts included in assembly kit are shown in shaded area.

*Recommended spare part

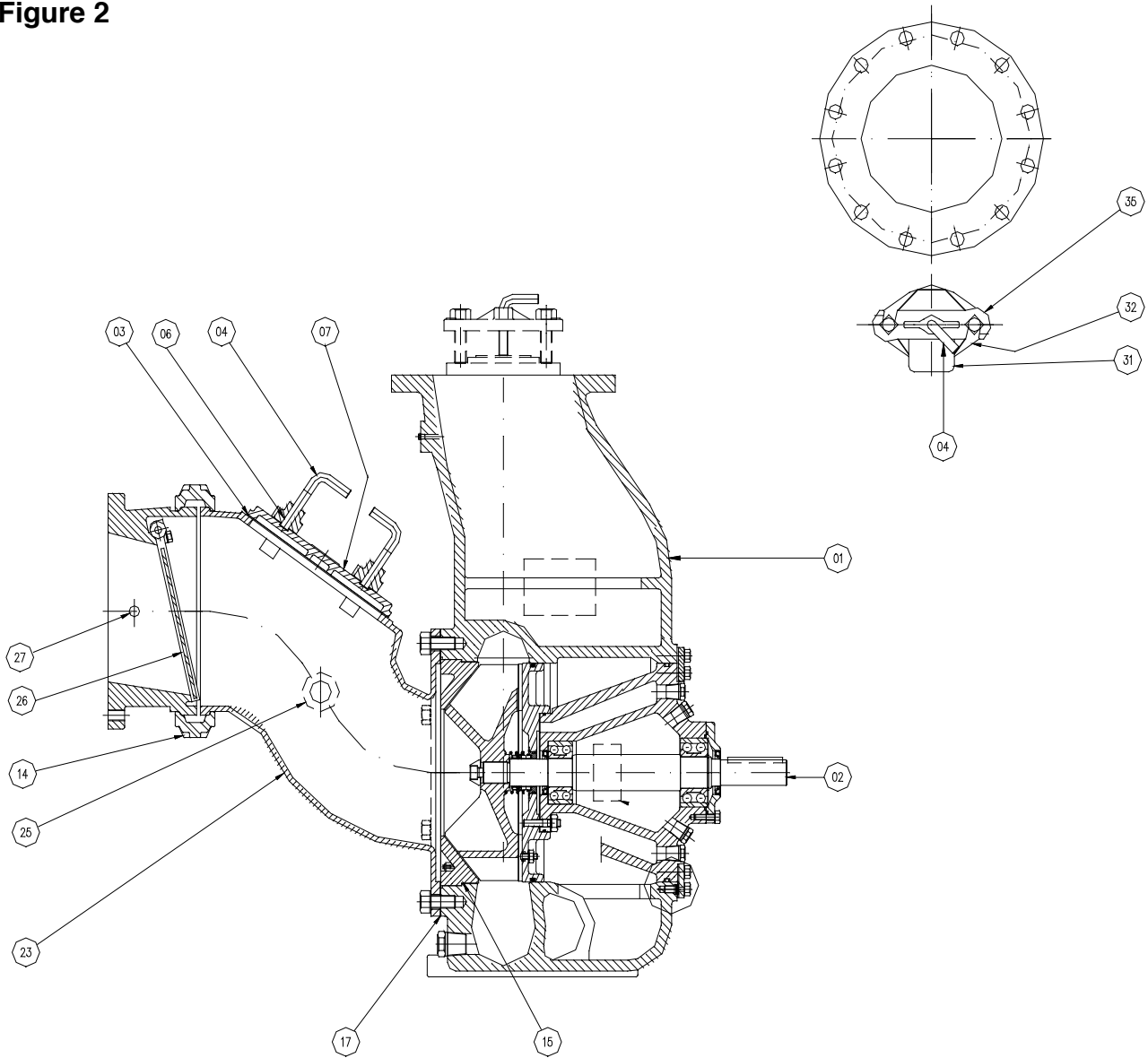
**Part sold separate from kit

***Shaft Sleeve must be removed

Sectional View

Project: _____ Model: _____ Chk'd: _____ Date: _____

**Model EFQT10
Figure 2**



Sectional View – Part Numbers

Project: _____ Model: _____ Chk'd: _____ Date: _____

Model EFQT10
Figure 2. Pump Model

Callout #	Notes	Part Name	QTY
01		Pump Casing	1
02	*	Rotating Assembly	1
04		Clamp Bar Screw	3
06		Clamp Bar	2
14		Coupling Assembly	1
15	*	Front Wear Plate	1
17		Back Cover Plate O-Ring	1
23		Suction Head	1
25		Pressure Relief Valve	1
28		Check Valve Body	1
35		Clamp Bar	1
	*	Check Valve Assembly	
26		Check Valve Assembly	1
	*	Clean-Out Cover Assembly	1
03		Clean-Out Cover Gasket	1
07		Clean-Out Cover Plate	1
	*	Fill Cover Assembly	1
31		Fill Cover Plate	1
32		Fill Cover Gasket	1

NOTES:

Parts included in assembly kit are shown in shaded area.

*Recommended spare part

Sectional View

Project:

Model:

Chk'd:

Date:

Model EFQT12 – Please Consult Factory

Sectional View – Part Numbers

Project:

Model:

Chk'd:

Date:

Model EFQT12 – Please Consult Factory

Sectional View – Part Numbers

Project:

Model:

Chk'd:

Date:

Model EFQT12 – Please Consult Factory

Sectional View

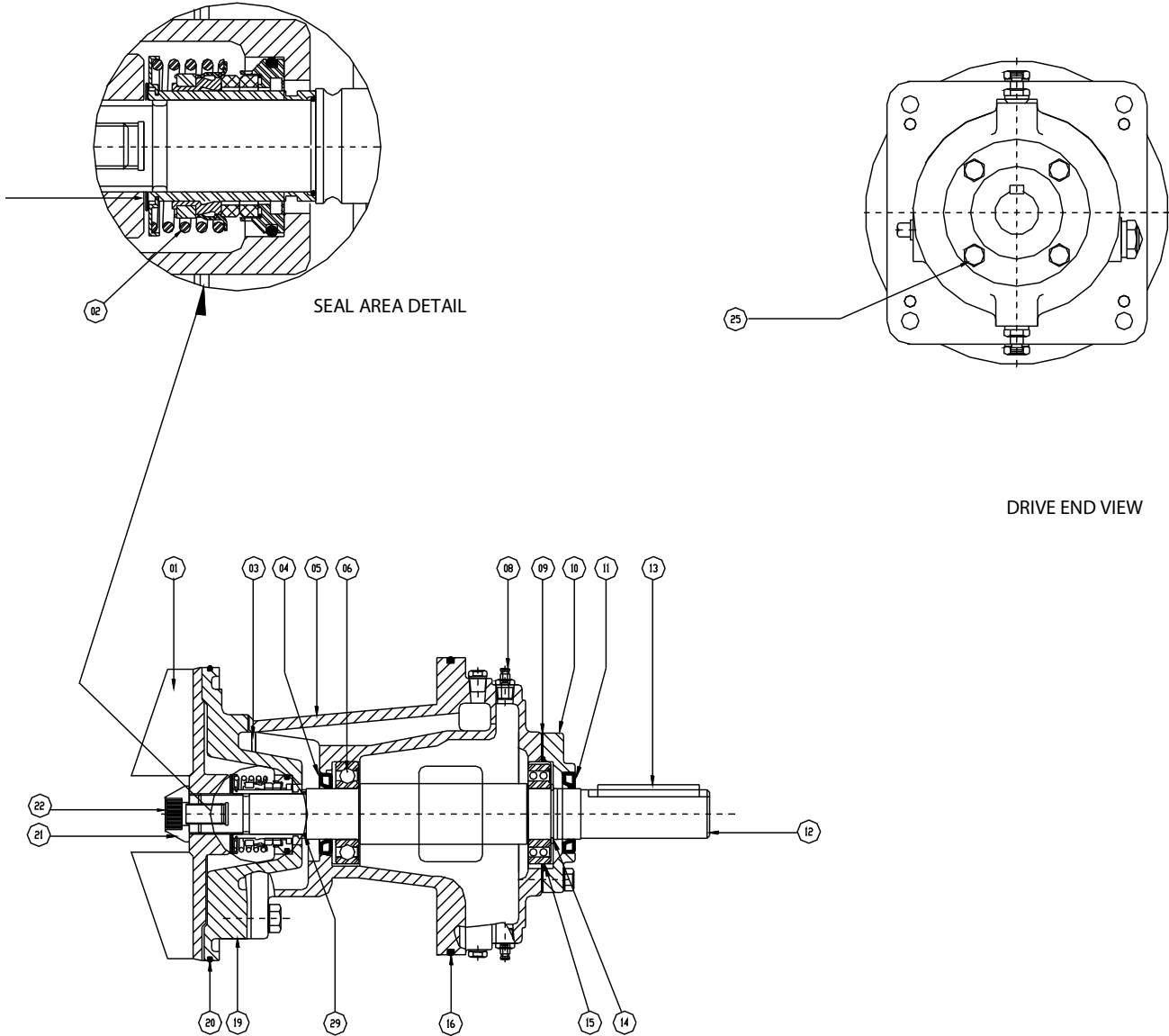
Project:

Model:

Chk'd:

Date:

**Model EFQU 3, 4 – Repair Rotating Assembly
Figure 1**



Sectional View – Part Numbers

Project:

Model:

Chk'd:

Date:

Model EFQU3/EFQU4
Figure 1. Repair Rotating Assembly

Callout #	Notes	Part Name	QTY
Rotating Assembly Rebuild Kit			1
02	*/**	Mechanical Seal	1
03	*/**	Seal Plate Gasket	1
04	*/**	Inboard Oil Seal	1
06	*/**	Inboard Ball Bearing	1
09	*/**	Bearing Cap Gasket	1
11	*/**	Outboard Oil Seal	1
14		Bearing Retaining Ring	1
15	*/**	Outboard Ball Bearing	1
16	*/**	Rotating Assembly O-Ring	1
20	*/**	Seal Plate O-Ring	1
29	*/**	Inboard Seal Plate O-Ring	1
01	*	Impeller	1
05		Bearing Housing	1
08		Air Vent	1
10		Bearing Cap	1
12		Impeller Shaft	1
13	*	Shaft Key	1
17		Impeller Adjusting Washers	1 Set
19		Seal Plate	1
21		Impeller Washer	1
22		Impeller Capscrew	1
26		Sight Gauge	1

NOTES:

Parts included in assembly kit are shown in shaded area.

*Recommended spare part

**Part sold separate from kit

***Included with mechanical seal

Sectional View

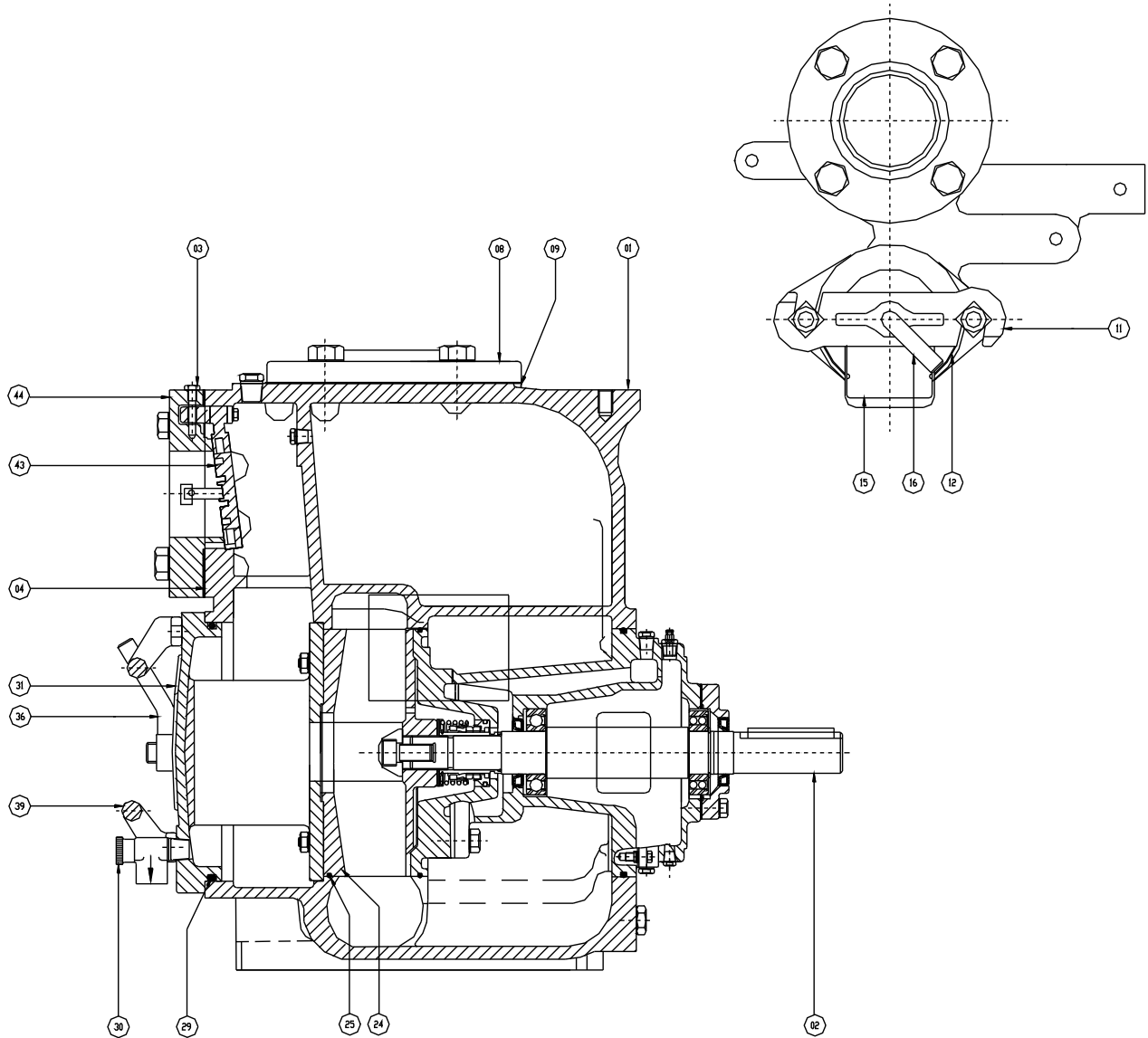
Project:

Model:

Chk'd:

Date:

Model EFQU 3, 4
Figure 2



Sectional View – Part Numbers

Project:

Model:

Chk'd:

Date:

Model EFQU3/EFQU4
Figure 2. Pump Model

Callout #	Notes	Part Name	QTY
01		Pump Casing	1
02	*	Rotating Assembly	1
08		Discharge Flange	1
09	*	Discharge Gasket	1
11		Clamp Bar	1
16		Clamp Bar Screw	1
36		Hand Nut	2
44		Suction Flange	1
	*	Check Valve Assembly	1
03		Check Valve Pin	1
04		Suction Flange Gasket	1
43		Suction Check Valve	1
	*	Fill Cover Assembly	1
12		Fill Cover Gasket	1
15		Fill Cover Plate	1
		Back Cover Plate Assembly	1
24	*/**	Wear Plate	1
25	*/**	Wear Plate O-Ring	1
29	*/**	Back Cover O-Ring	1
31	**	Back Cover Plate	1
30	**	Pressure Relief Valve	1
39		Cover Plate Handle	1

NOTES:

Parts included in assembly kit are shown in shaded area.

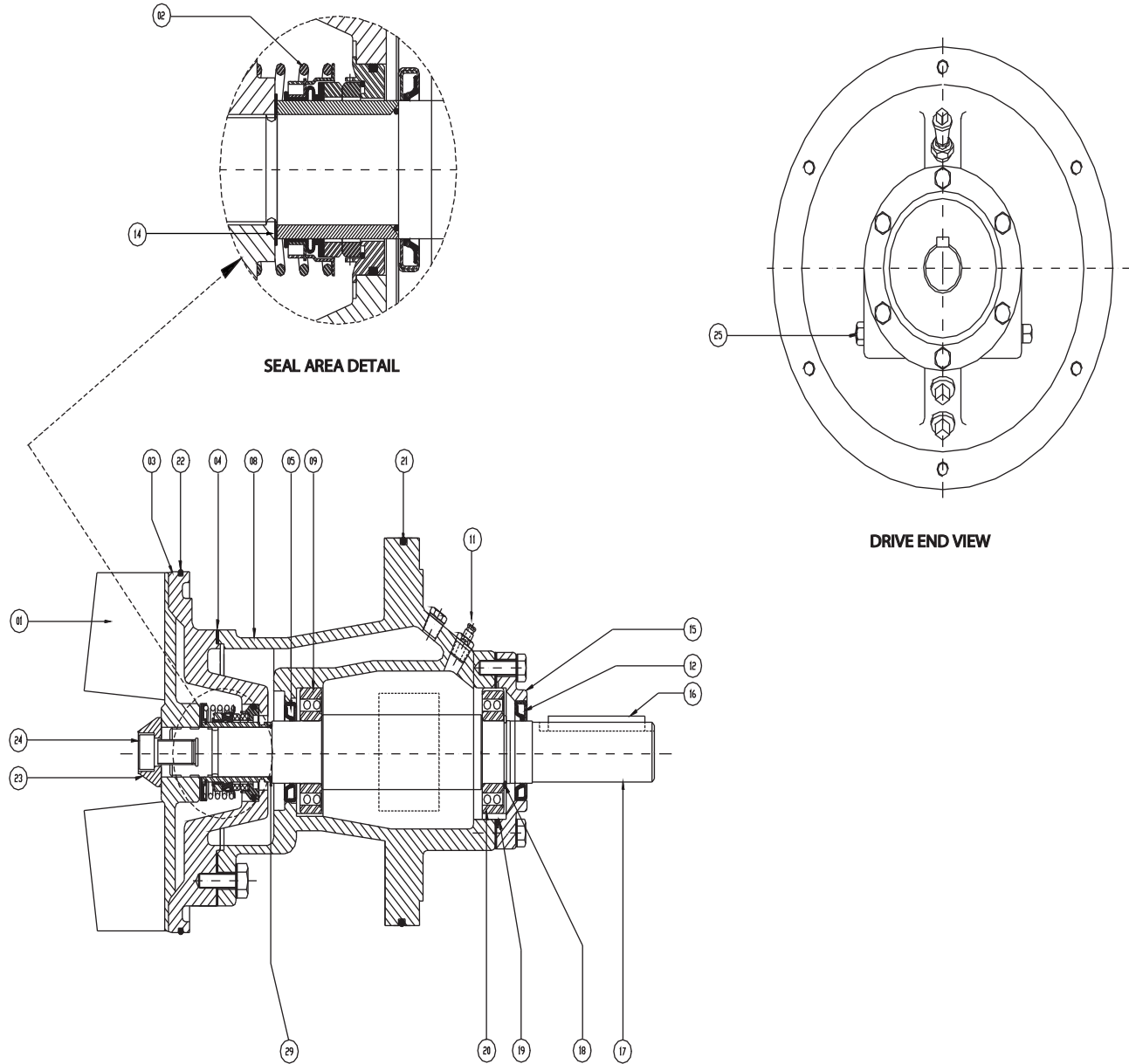
*Recommended spare part

**Part sold separate from kit

Sectional View

Project: _____ Model: _____ Chk'd: _____ Date: _____

**Model EFQU6 – Repair Rotating Assembly
Figure 1**



Sectional View – Part Numbers

Project:

Model:

Chk'd:

Date:

Model EFQU6
Figure 1. Repair Rotating Assembly

Callout #	Notes	Part Name	QTY
Rotating Assembly Rebuild Kit			1
02	*/**	Mechanical Seal	1
04	*/**	Seal Plate Gasket	1
05	*/**	Inboard Oil Seal	1
09	*/**	Inboard Ball Bearing	1
12	*/**	Outboard Oil Seal	1
18		Bearing Retaining Ring	1
19	*/**	Bearing Cap Gasket	1
20	*/**	Outboard Ball Bearing	1
21	*/**	Rotating Assembly O-Ring	1
22	*/**	Seal Plate O-Ring	1
29	*/***	Inboard Seal Plate O-Ring	1
01	*	Impeller	1
03		Seal Plate	1
08		Bearing Housing	1
11		Air Vent	1
14		Impeller Adjusting Washers	1 Set
15		Bearing Cap	1
16	*	Shaft Key	1
17		Impeller Shaft	1
23		Impeller Washer	1
24		Impeller Capscrew	1
25		Sight Gauge	1

NOTES:

Parts included in assembly kit are shown in shaded area.

*Recommended spare part

**Part sold separate from kit

***Included with mechanical seal

Sectional View

Project:

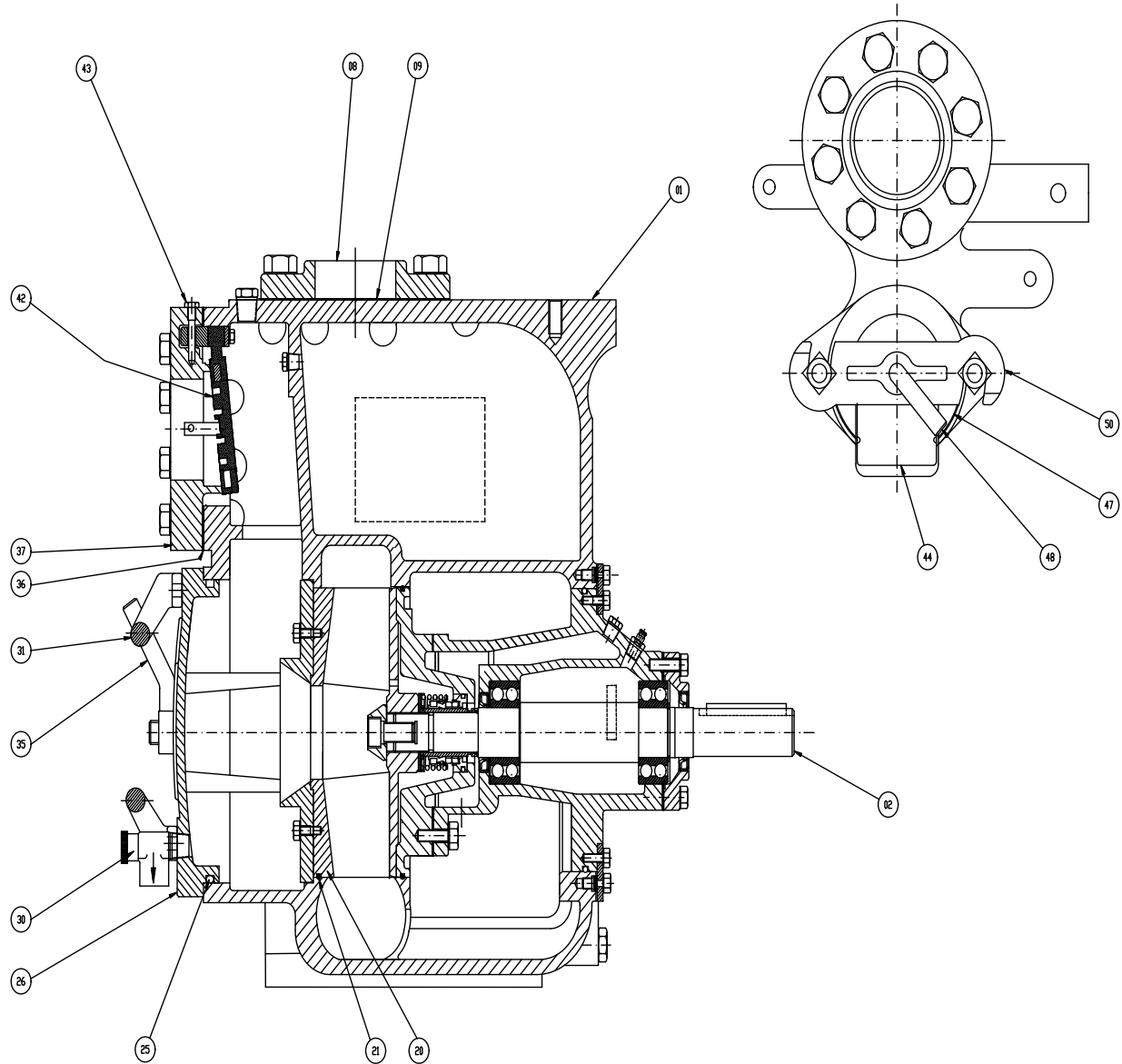
Model:

Chk'd:

Date:

Model EFQU6

Figure 2



Sectional View – Part Numbers

Project:

Model:

Chk'd:

Date:

Model EFQU6
Figure 2. Pump Model

Callout #	Notes	Part Name	QTY
01		Pump Casing	1
02	*	Rotating Assembly	1
08		Discharge Flange	1
09	*	Discharge Gasket	1
35		Hand Nut	2
37		Suction Flange	1
48		Clamp Bar Screw	1
50		Clamp Bar	1
	*	Check Valve Assembly	1
43		Check Valve Pin	1
42		Suction Check Valve	1
36		Suction Flange Gasket	1
	*	Fill Cover Assembly	1
44		Fill Cover Plate	1
47		Fill Cover Gasket	1
		Back Cover Plate Assembly	1
20	*/**	Wear Plate	1
21	*/**	Wear Plate O-Ring	1
25	*/**	Back Cover O-Ring	1
26	**	Back Cover Plate	1
30	**	Pressure Relief Valve	1
31		Cover Plate Handle	2

NOTES:

Parts included in assembly kit are shown in shaded area.

*Recommended spare part

**Part sold separate from kit