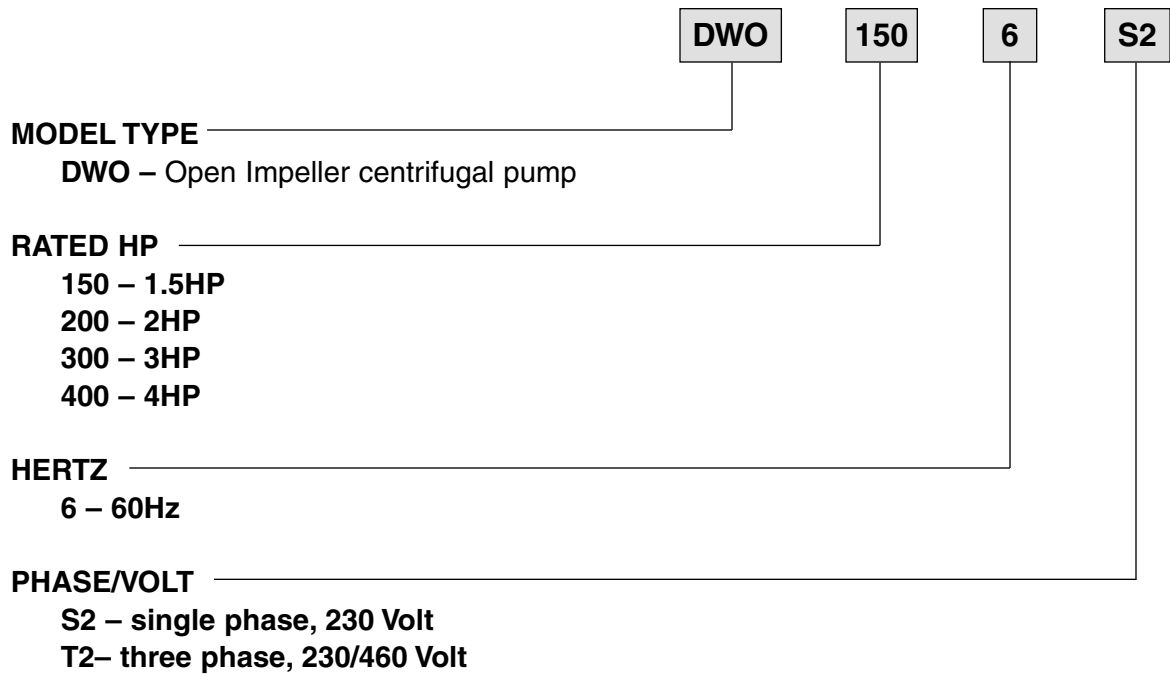

Model DWO **EBARA Stainless Steel Open Impeller Centrifugal Pumps**

Contents

Item No.	Specifications	Selection Chart	Performance Curve	Pump Dimensions	Sectional View	Motor Data
DWO1506	702	703	704	708	709	713
DWO2006			705			
DWO3006			706			
DWO4006			707			

Model DWO**EBARA Stainless Steel Open Impeller Centrifugal Pumps**

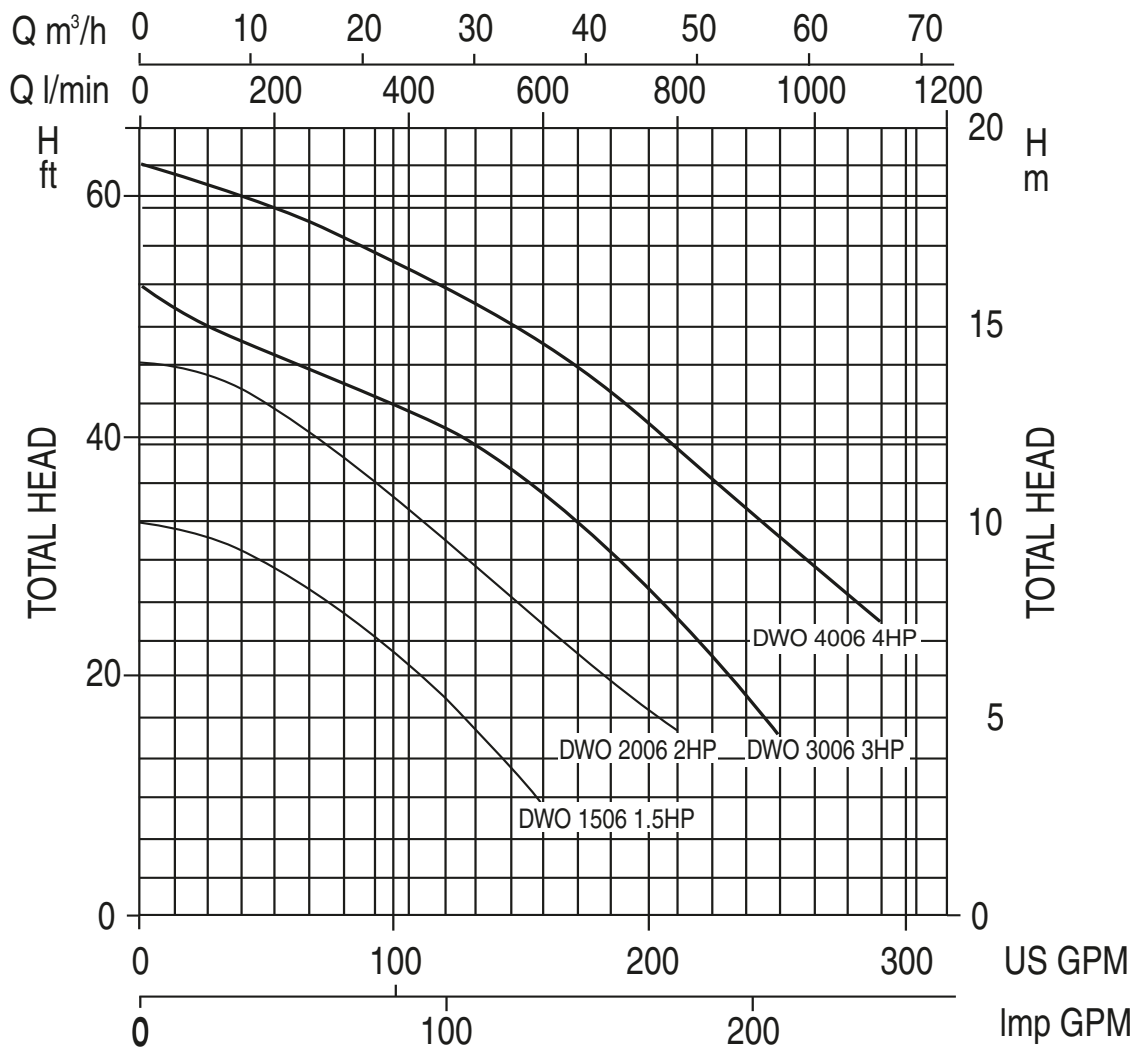
Model Designation

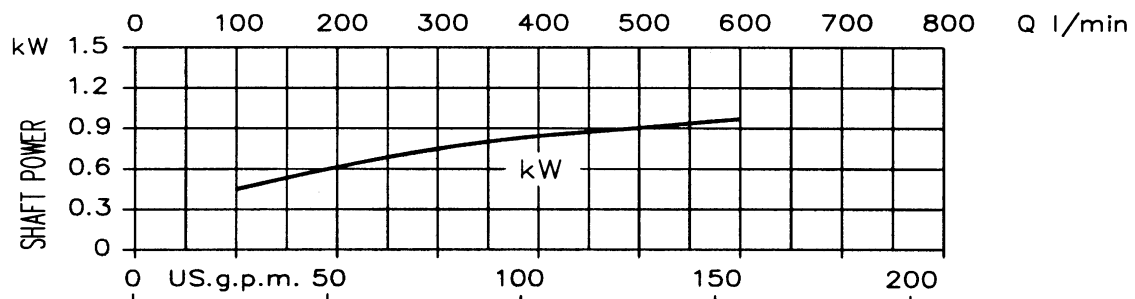
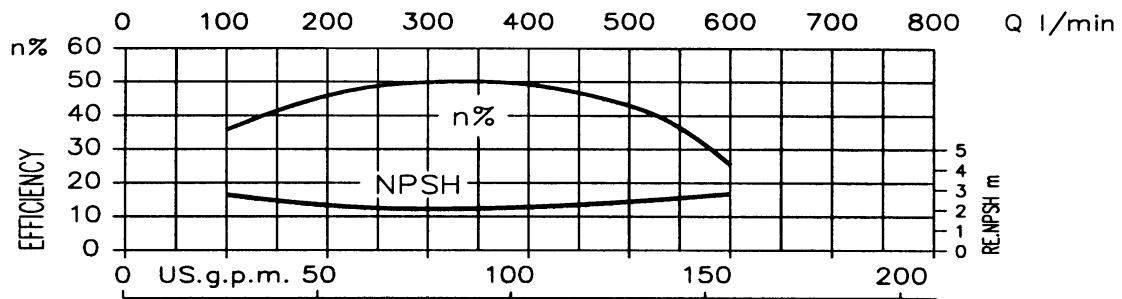
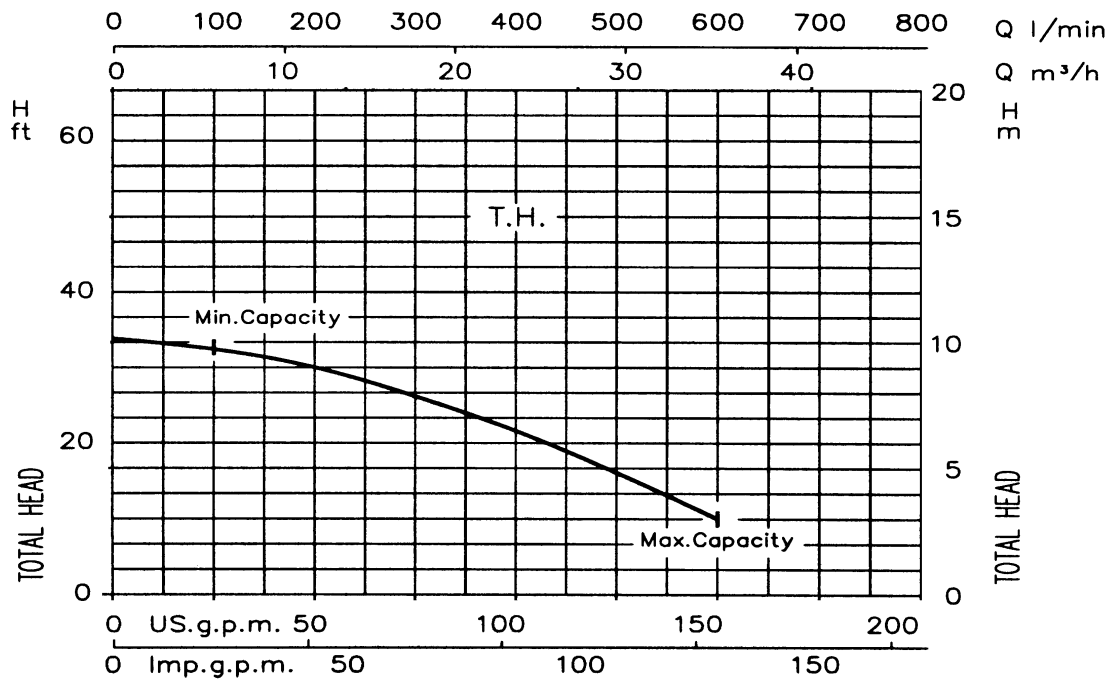


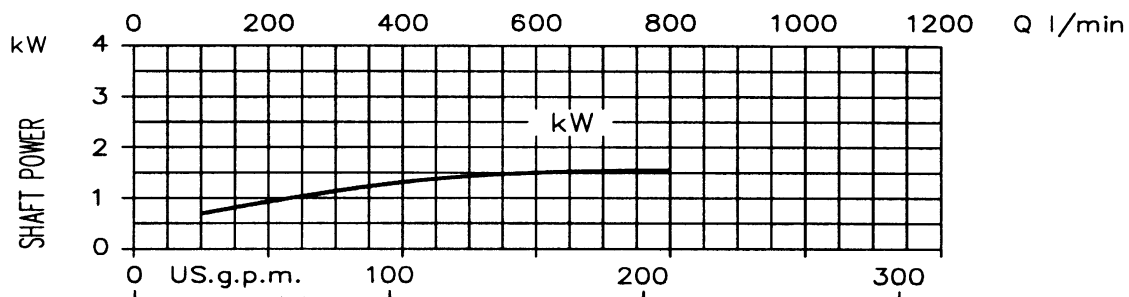
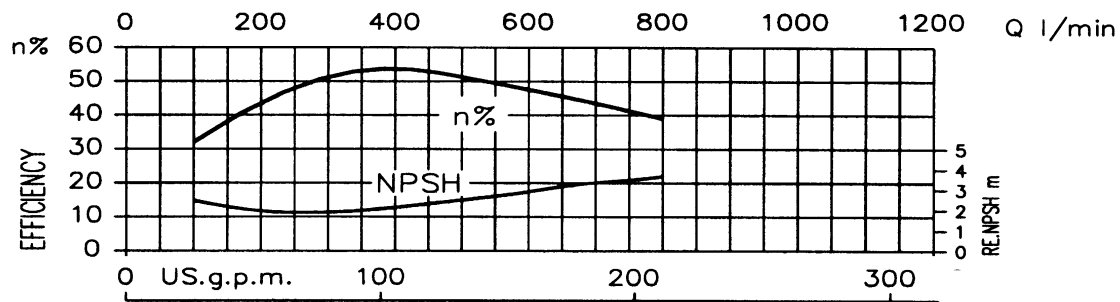
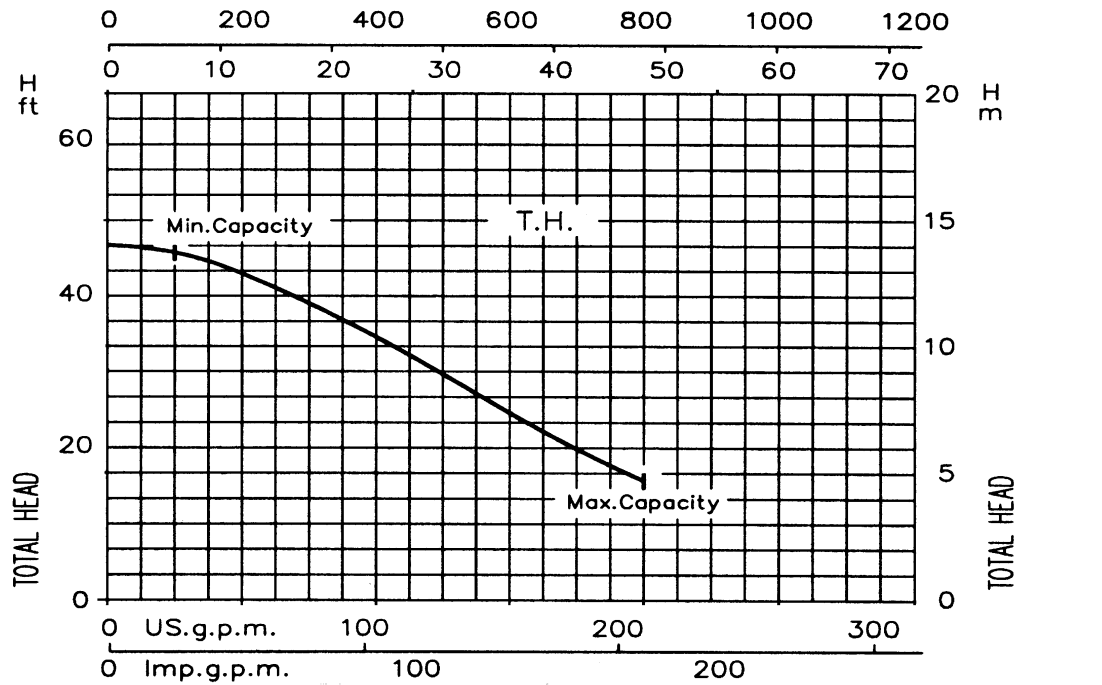
Model DWO **EBARA Stainless Steel Open Impeller Centrifugal Pumps**

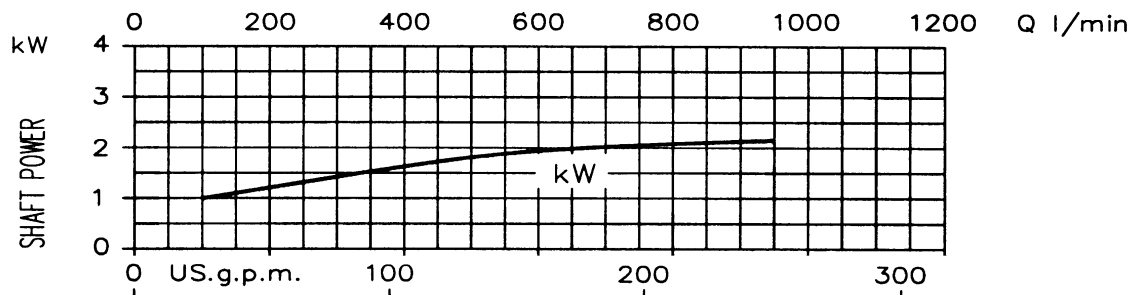
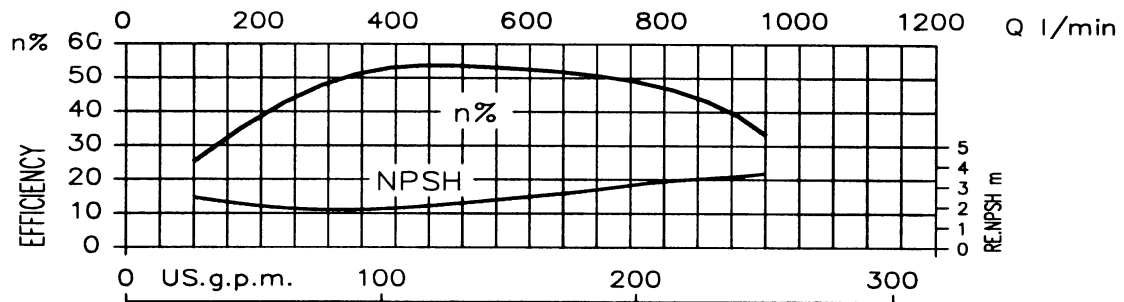
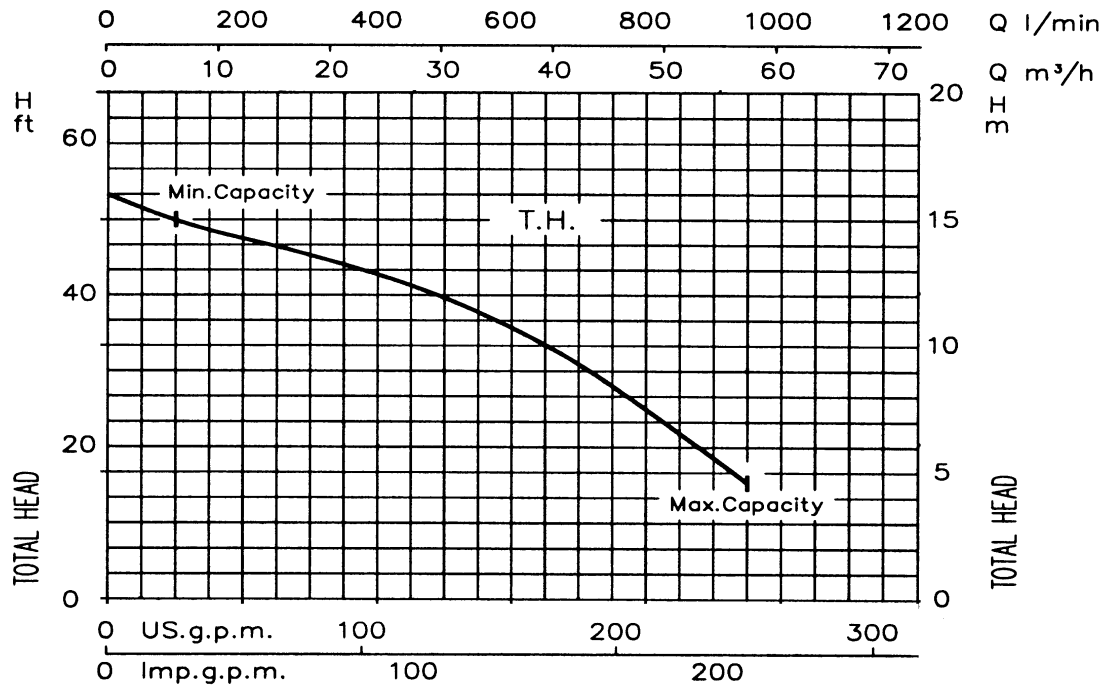
Specifications

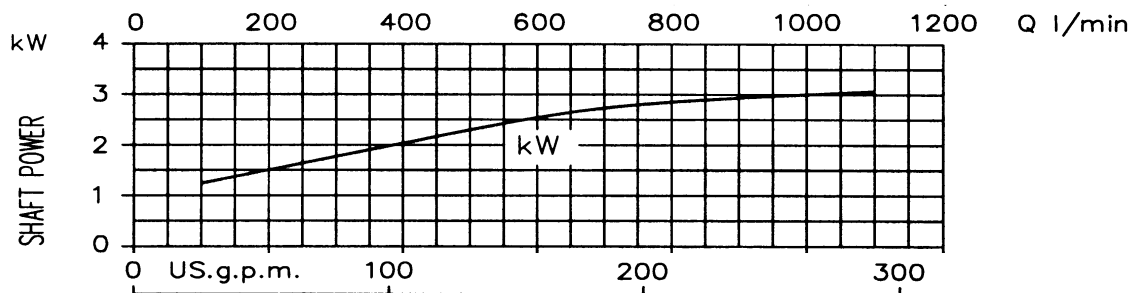
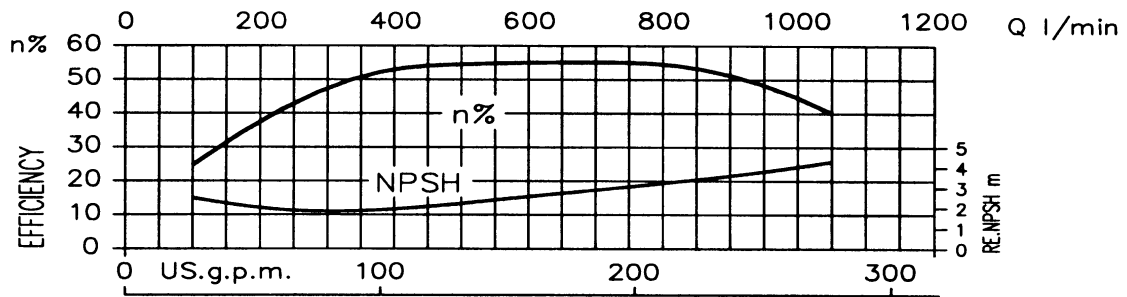
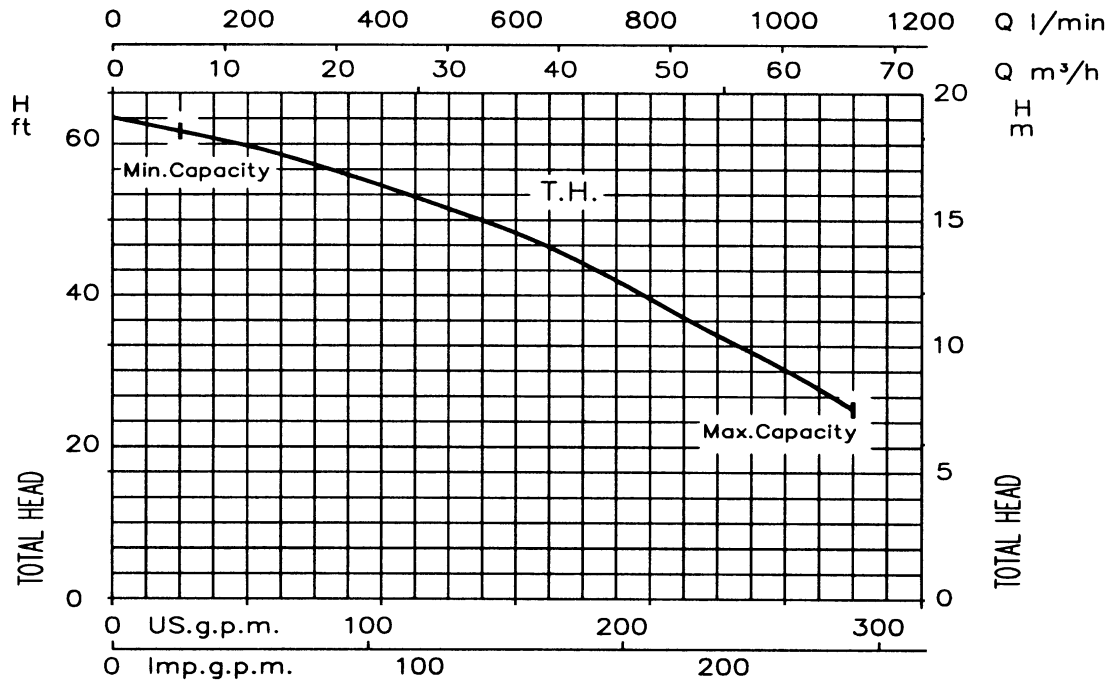
	Standard	Optional
Size Suction Discharge	2- 2½" NPT Female Thread 2" NPT Female Thread Suction and discharge nozzle equipped with external hose barb connection 2" nozzle – 2 ⁷ / ₁₆ " O.D. 2½" nozzle – 3 ¹ / ₈ " O.D.	
Range of HP	1.5 HP to 4 HP	
Range of Performance Capacity Head	to 250 GPM at 3450 RPM 35 to 65 feet at 3450 RPM	
Liquid handled Type of liquid Solids Temperature Working pressure	Clean water ¾" Spherical (2% by concentration) Maximum: 194°F (90°C) Maximum: 116 PSI (8 Bar)	
Materials Casing Impeller (Open) Shaft Bracket Shaft Seal	AISI 304 Stainless Steel AISI 304 Stainless Steel AISI 304 Stainless Steel Aluminum Ceramic/Carbon/NBR	Consult factory for optional seal types
Direction of Rotation	Clockwise when viewed from motor end	
Motor Type Speed HP rating Voltage Single Phase Three Phase Motor Casing Motor Protection Bearing	Insulation Class F TEFC/IP55 60 Hz, 3450 RPM (2 poles) 1.5HP - 4.0HP 230 230/460V Aluminum Built-in overload protection (single phase) User provided (three phase) Ball Bearing	

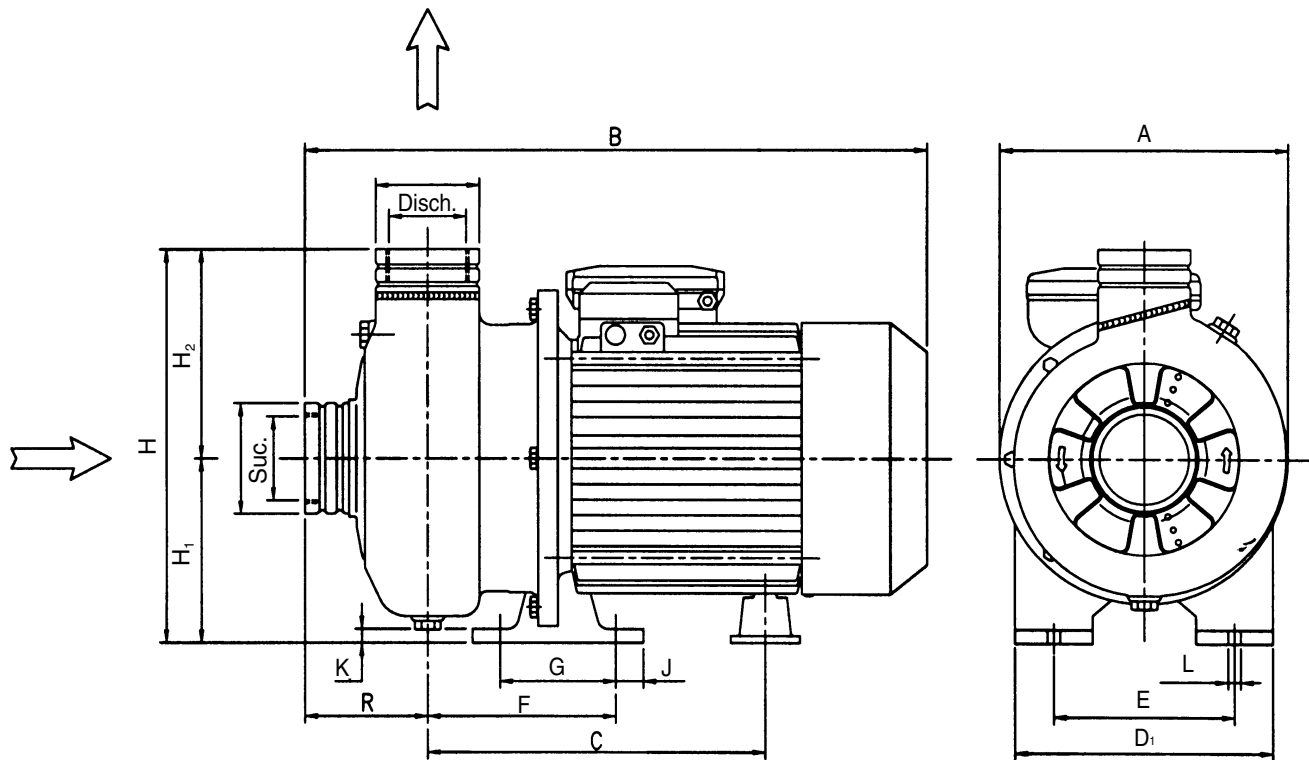


Model DWO EBARA Stainless Steel Open Impeller Centrifugal Pumps Performance Curve
DWO 1506 1.5HP
Synchronous Speed: 3450 RPM


**Model DWO
Performance Curve**
EBARA Stainless Steel Open Impeller Centrifugal Pumps
DWO 2006 2HP
Synchronous Speed: 3450 RPM




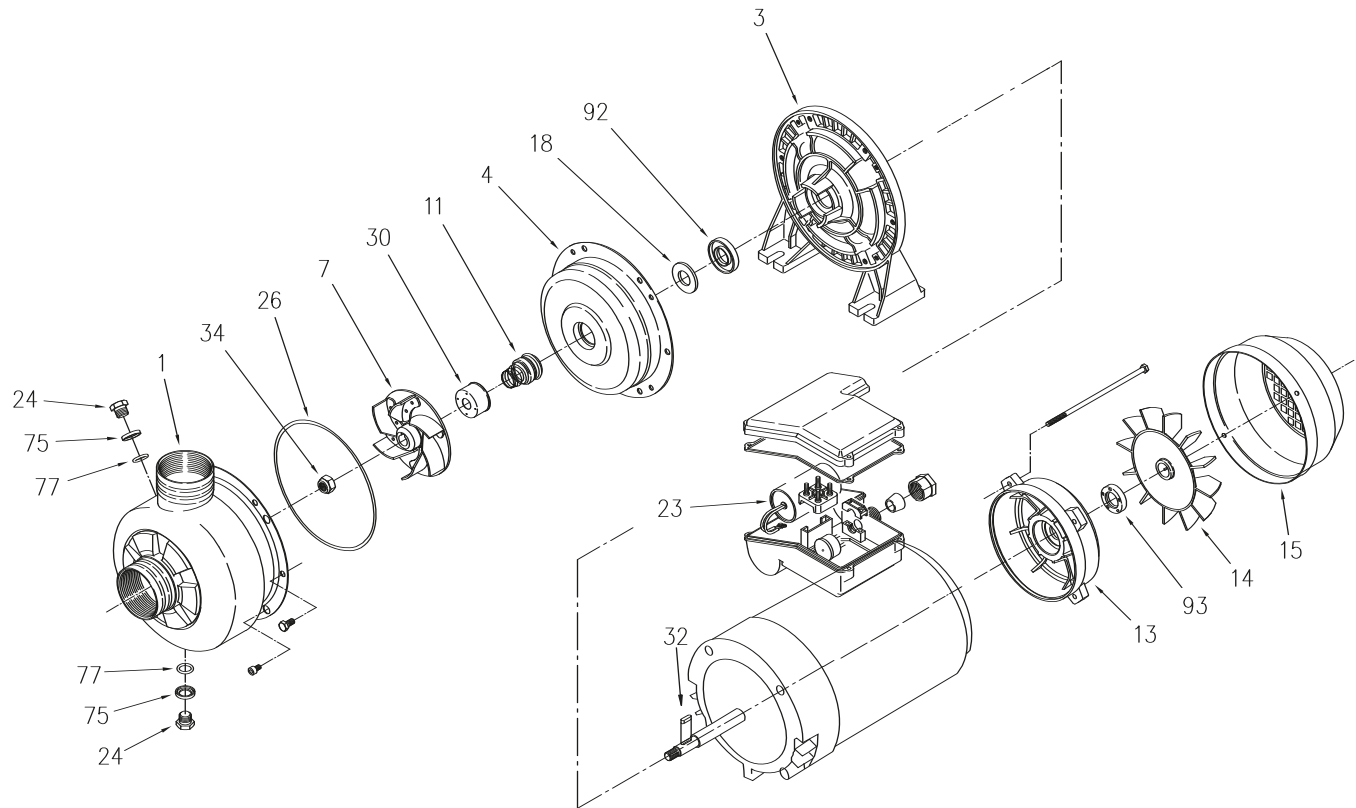
Model DWO
EBARA Stainless Steel Open Impeller Centrifugal Pumps
Performance curve
DWO 4006 4HP
Synchronous Speed: 3450 RPM



Dimensions: inch

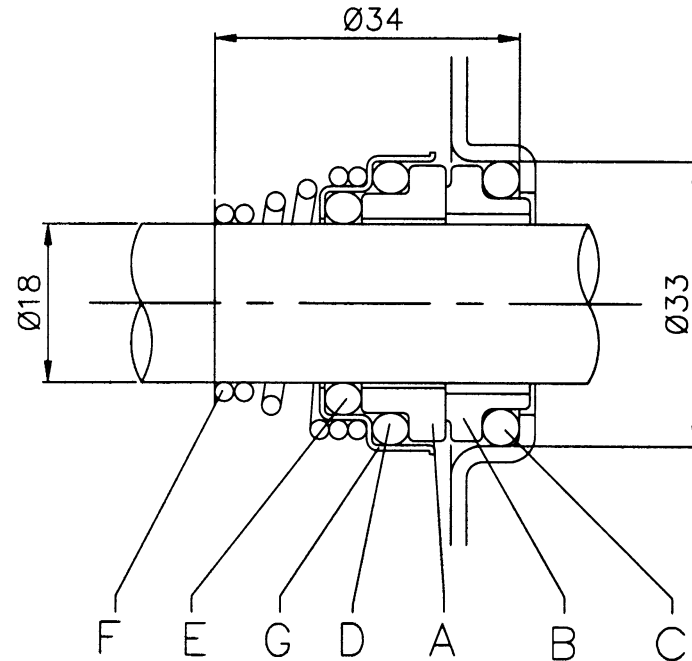
MODEL	HP	SIZE		PUMP & MOTOR														Weight Lbs	
		Suc.	Disch.	A	B	C	D ₁	E	F	G	H	H ₁	H ₂	J	K	L	R	1 phase/3 phase	
DWO1506	1.5	2" NPT	2" NPT	7 ⁵ / ₈	14 ³ / ₈	7 ⁷ / ₈	7 ¹ / ₈	5 ¹ / ₂	4 ¹ / ₄	2	10	4 ³ / ₄	5 ¹ / ₄	5 ⁵ / ₈	3 ³ / ₈	3 ³ / ₈	2 ⁷ / ₈	36/34	
DWO2006	2	2" NPT	2" NPT	7 ⁵ / ₈	14 ³ / ₈	7 ⁷ / ₈	7 ¹ / ₈	5 ¹ / ₂	4 ¹ / ₄	2	10	4 ³ / ₄	5 ¹ / ₄	5 ⁵ / ₈	3 ³ / ₈	3 ³ / ₈	2 ⁷ / ₈	42/38	
DWO3006	3	2.5" NPT	2" NPT	7 ⁵ / ₈	15 ³ / ₈	8 ¹ / ₂	7 ¹ / ₈	5 ¹ / ₂	4 ¹ / ₄	2	10	4 ³ / ₄	5 ¹ / ₄	5 ⁵ / ₈	3 ³ / ₈	3 ³ / ₈	3 ³ / ₈	/45	
DWO4006	4	2.5" NPT	2" NPT	7 ⁵ / ₈	16 ³ / ₈	9 ¹ / ₂	7 ¹ / ₈	5 ¹ / ₂	4 ¹ / ₄	2	10	4 ³ / ₄	5 ¹ / ₄	5 ⁵ / ₈	3 ³ / ₈	3 ³ / ₈	3 ³ / ₈	/53	

Dimensions: mm

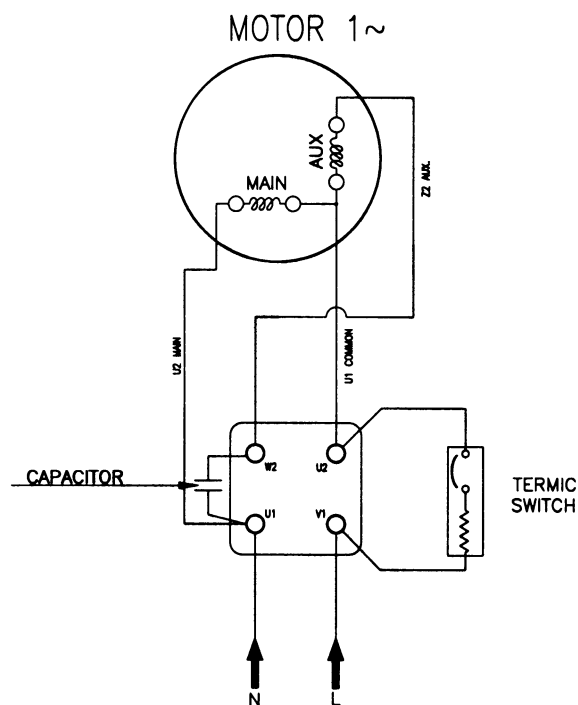
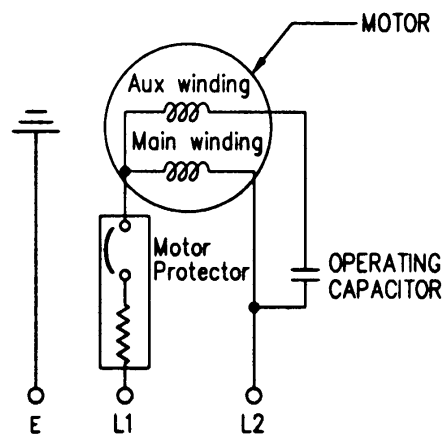
MODEL	HP	SIZE		PUMP & MOTOR														Weight kg	
		Suc.	Disch.	A	B	C	D ₁	E	F	G	H	H ₁	H ₂	J	K	L	R	1 phase/3 phase	
DWO1506	1.5	2" NPT	2" NPT	193	364	198.5	180	140	107	50	253	120	133	15	9	9	74	13.6/12.6	
DWO2006	2	2" NPT	2" NPT	193	364	198.5	180	140	107	50	253	120	133	15	9	9	74	15.7/14.4	
DWO3006	3	2.5" NPT	2" NPT	193	390	215.5	180	140	107	50	253	120	133	15	9	9	78	/16.9	
DWO4006	4	2.5" NPT	2" NPT	193	415	240.5	180	140	107	50	253	120	133	15	9	9	78	/20	

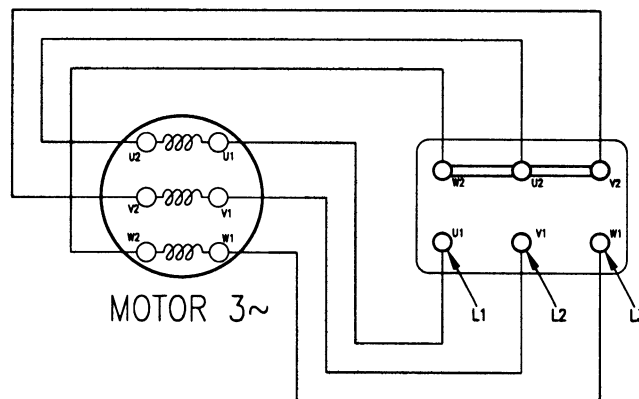
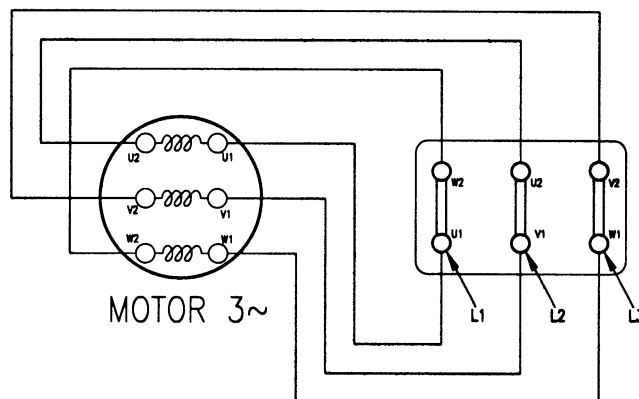
Model DWO
EBARA Stainless Steel Open Impeller Centrifugal Pumps
Exploded view


Location No.	Part Name	Material	No. for 1 Unit
1	Casing	304 Stainless Steel	1
3	Motor bracket	Aluminum	1
4	Casing cover	304 Stainless Steel	1
7	Impeller	304 Stainless Steel	1
11	Mechanical seal	Carbon/Ceramic/NBR	1
14	Fan	Polypropolene	1
15	Fan cover	Steel	1
18	Casing Ring	—	1
23	Capacitor	Single phase only	1
24	Priming plug/Drain plug	303 Stainless Steel	2
26	O-ring	NBR	1
30	Splash ring	304 Stainless Steel	1
32	Key	304 Stainless Steel	1
34	Impeller nut	304 Stainless Steel	1
75	Washer	304 Stainless Steel	2
77	O-ring	NBR	2
92	Lip seal (Pump side)	—	1
93	Lip seal (Fan side)	—	1



REF.	PART NAME	MATERIAL
A	Rotary Seal Ring	Ceramic
B	Stationary Seal Ring	Carbon graphite
C	O-ring	NBR
D	O-ring	NBR
E	O-ring	NBR
F	Self driving spring	AISI 316
G	Frame	AISI 304

Model DWO
EBARA Stainless Steel Open Impeller Centrifugal Pumps
Wiring Diagram
Single Phase

**230 V
EXTERNAL MOTOR PROTECTOR**


Model DWO**EBARA Stainless Steel Open Impeller Centrifugal Pumps****Wiring Diagram****Three Phase****460V****STAR CONNECTION****230V****DELTA CONNECTION**

Model DWO **EBARA Stainless Steel Open Impeller Centrifugal Pumps**

Electrical Data

Hz	Poles	Phase	Output (HP)	Voltage (V)	Applicable Model
60	2	Single	1.5 to 2	230	DWO

Name-Plate Rating	MOTOR MODEL	1506	2006				
	Output	HP	1.5	2			
		kW	1.1	1.5			
	Phase	1	1				
	Poles	2	2				
	Volts	230	230				
	Amperes	6.6	9.8				
	Speed	3450	3450				
Insulation Class	F	F					
Number Starts Per Hour		20	20				
Voltage Tolerance		%	±6%				

Model DWO **EBARA Stainless Steel Open Impeller Centrifugal Pumps**

Electrical Data

Hz	Poles	Phase	Output (HP)	Voltage (V)	Applicable Model
60	2	Three	1.5 to 4	230	DWO

Name- Plate Rating	MOTOR MODEL		1506	2006	3006	4006	
	Output	HP	1.5	2	3	4	
		kW	1.1	1.5	2.2	3	
	Phase		3	3	3	3	
	Poles		2	2	2	2	
	Volts		230	230	230	230	
	Amperes		3.6	5.9	8.1	11.1	
	Speed		3450	3450	3450	3450	
	Insulation Class		F	F	F	F	
Number Starts Per Hour			20	20	20	20	
Voltage Tolerance		%	±6%				

Model DWO **EBARA Stainless Steel Open Impeller Centrifugal Pumps**
Electrical Data

Hz	Poles	Phase	Output (HP)	Voltage (V)	Applicable Model
60	2	Three	1.5 to 4	460	DWO

Name- Plate Rating	MOTOR MODEL	1506	2006	3006	4006		
	Output	HP	1.5	2	3	4	
		kW	1.1	1.5	2.2	3	
	Phase	3	3	3	3		
	Poles	2	2	2	2		
	Volts	460	460	460	460		
	Amperes	2.1	3.4	4.7	6.4		
	Speed	3450	3450	3450	3450		
	Insulation Class	F	F	F	F		
Number Starts Per Hour		20	20	20	20		
Voltage Tolerance %		±6%					