

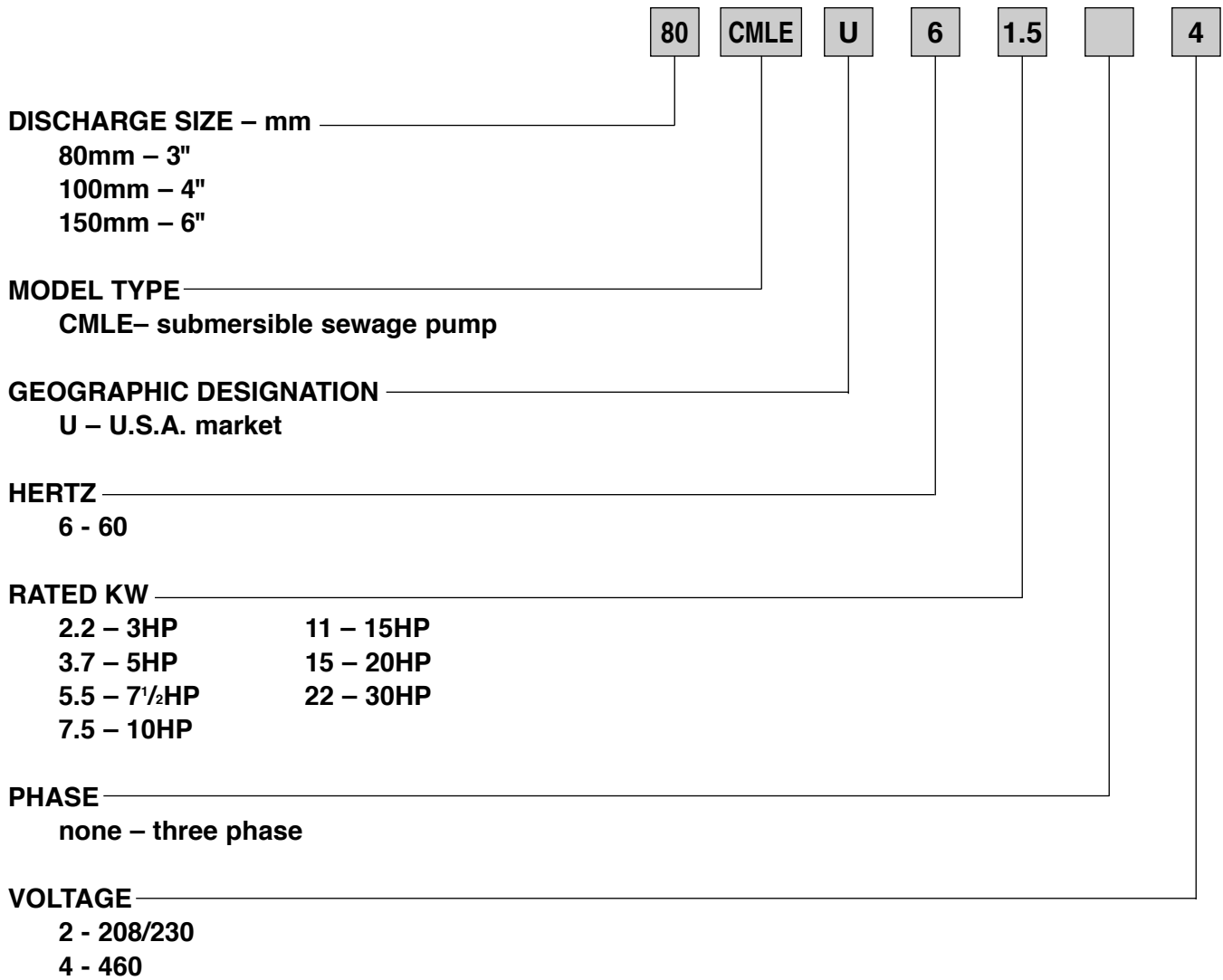
Contents

Model

80CMLEU62.2	100CMLEU63.7	150CMLEU65.5
80CMLEU63.7	100CMLEU65.5	150CMLEU67.5
80CMLEU65.5	100CMLEU67.5	150CMLEU611
80CMLEU67.5	100CMLEU611	150CMLEU615
80CMLEU611	100CMLEU615	150CMLEU622
80CMLEU615	100CMLEU622	
80CMLEU622		

Section	Page
Specifications	902
Selection Chart	903
Performance Curves	904
Dimensions	908
Sectional View	911
QDC Information	1900
Motor Data	915
motor electrical specifications	
cable data	
wiring diagrams	
motor electrical data	

Model Designation



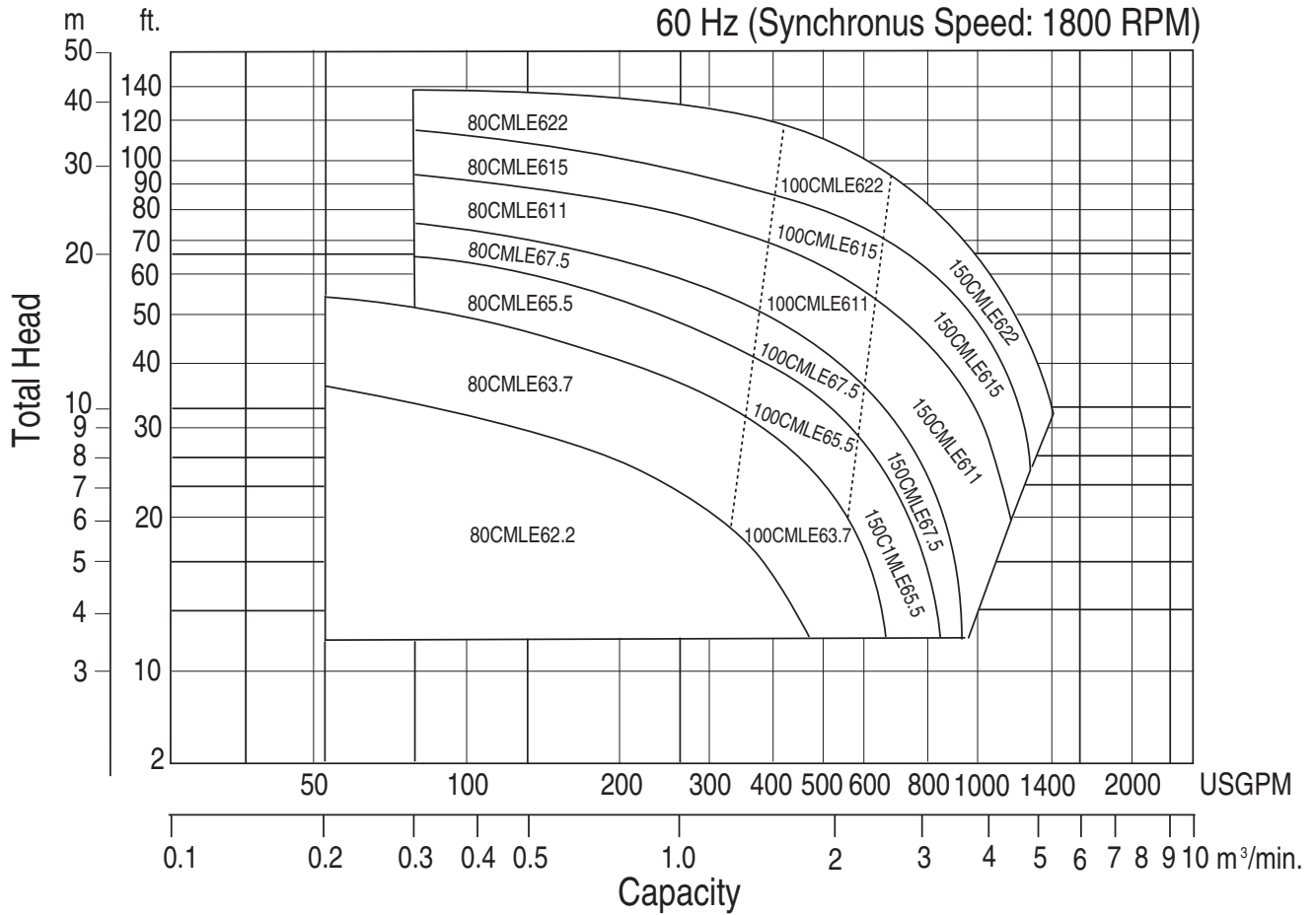
Specifications
Model CMLEU
 Specifications

	Standard	Optional
Size	3, 4, 6 inch	
Range of HP	3 to 30HP	
Range of Performance	Capacity: 55 to 1345 GPM Head: 12 to 136 feet	
Limitation Maximum Water Temperature	104°F (40°C)	
Synchronous Speed	1800 RPM	
Materials Casing Impeller Shaft Motor Frame Fastener	Cast Iron Cast Iron 403 Stainless Steel Cast Iron 304 Stainless Steel	
Mechanical Seal Material – Upper Side Material – Lower Side Impeller Type Bearing Motor Three Phase Service Factor Motor Protection Accessories	Double Mechanical Seal Carbon/Ceramic Silicon Carbide/Silicon Carbide Non-clog single channel enclosed Pre-lubricated Ball Bearing Air-filled, dry submersible, Class F Insulation 208/230 or 460V 1.15 Built-in Auto cut (3HP model) Thermal Detector – Klixons Mechanical seal leak detector – internal oil probe Submersible cable 33 ft.	66 ft. QDC System

Selection Chart

Model CMLEU

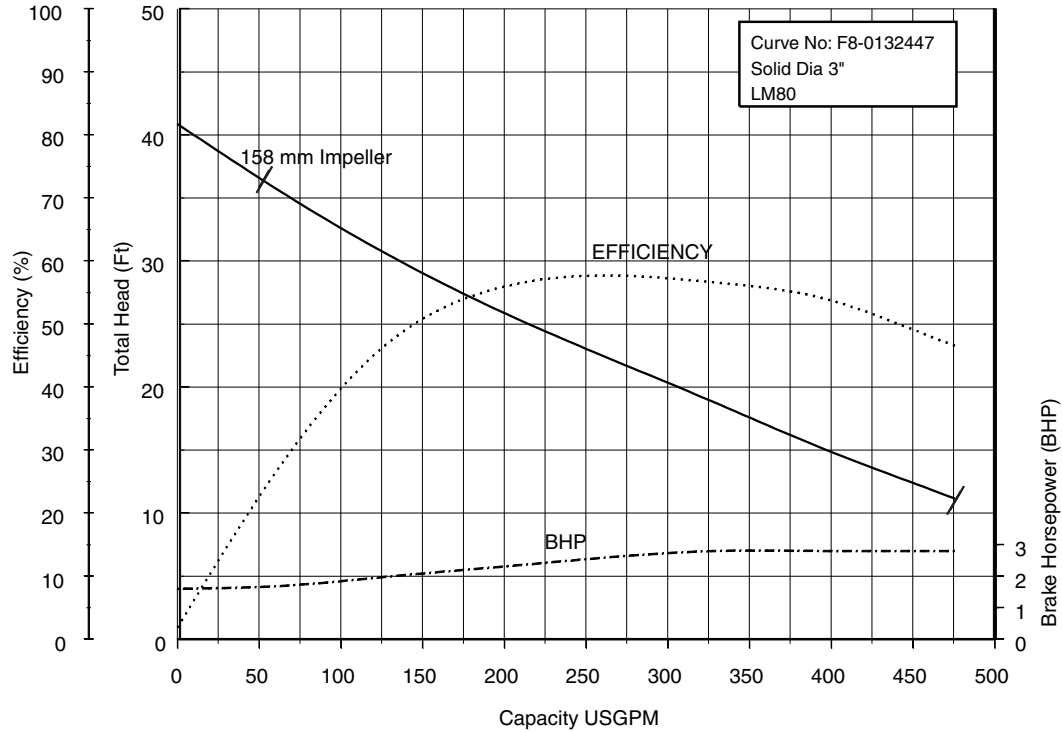
Selection chart



Performance Curves

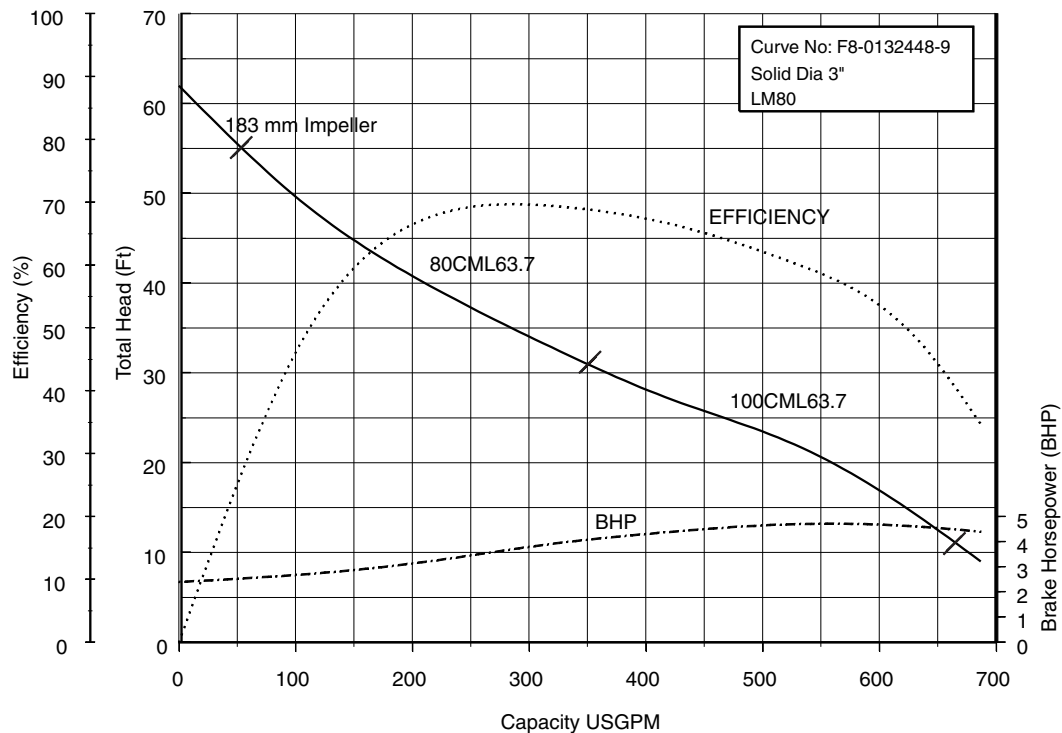
80CMLE62.2 (3HP) Synchronous Speed: 1800 RPM

3 inch Discharge



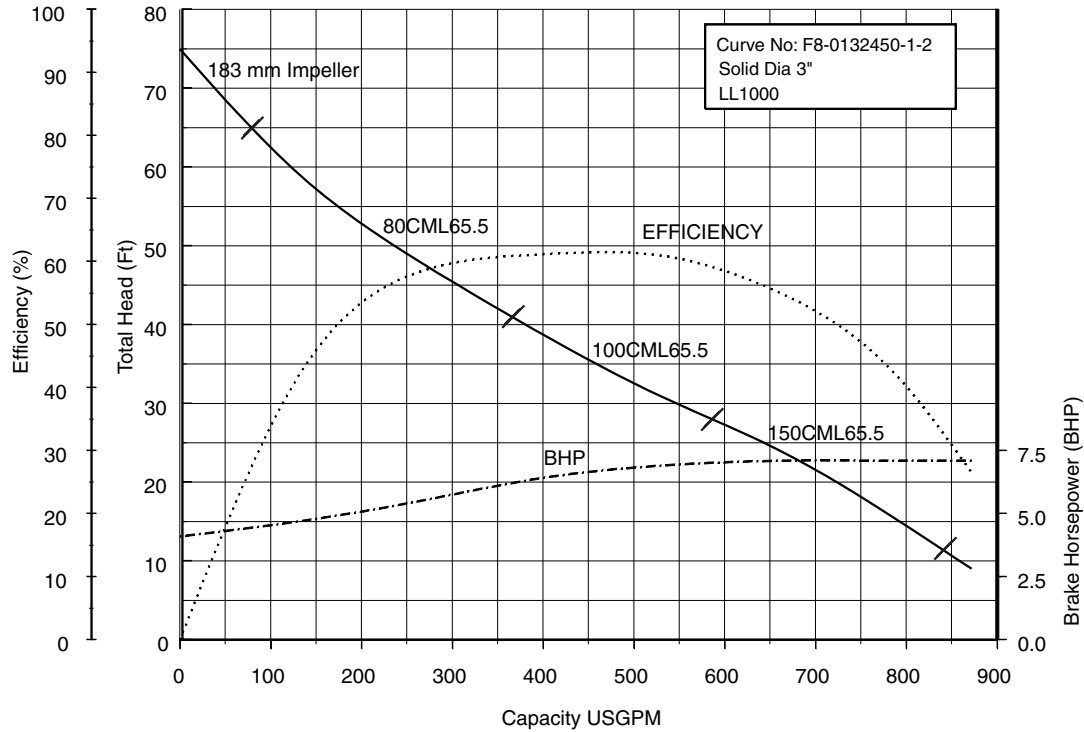
80, 100CMLE63.7 (5HP) Synchronous Speed: 1800 RPM

3, 4 inch Discharge

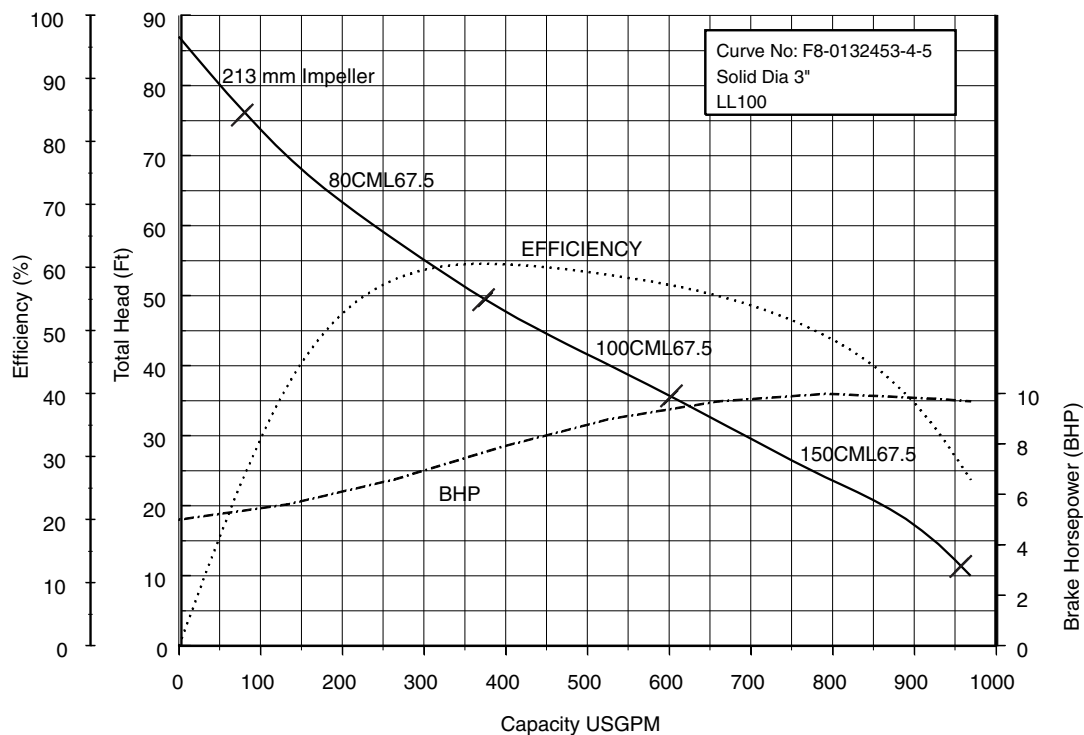


Performance Curves

80, 100, 150CMLE65.5 (7.5HP) Synchronous Speed: 1800 RPM 3, 4, 6 inch Discharge

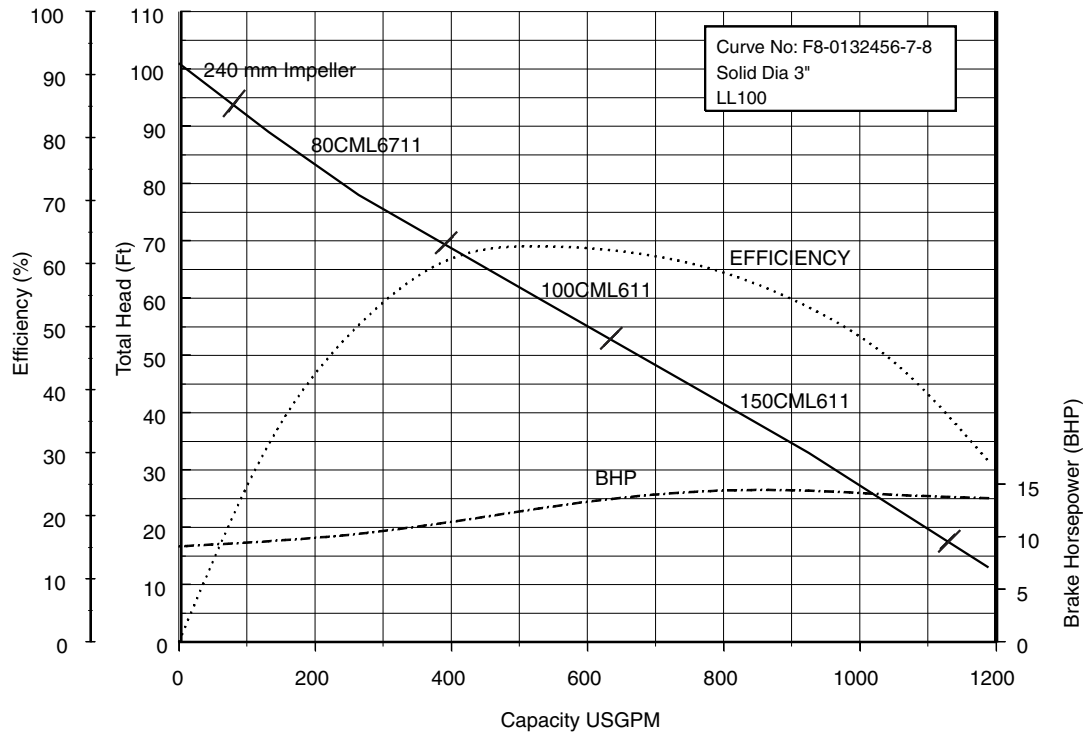


80, 100, 150CMLE67.5 (10HP) Synchronous Speed: 1800 RPM 3, 4, 6 inch Discharge

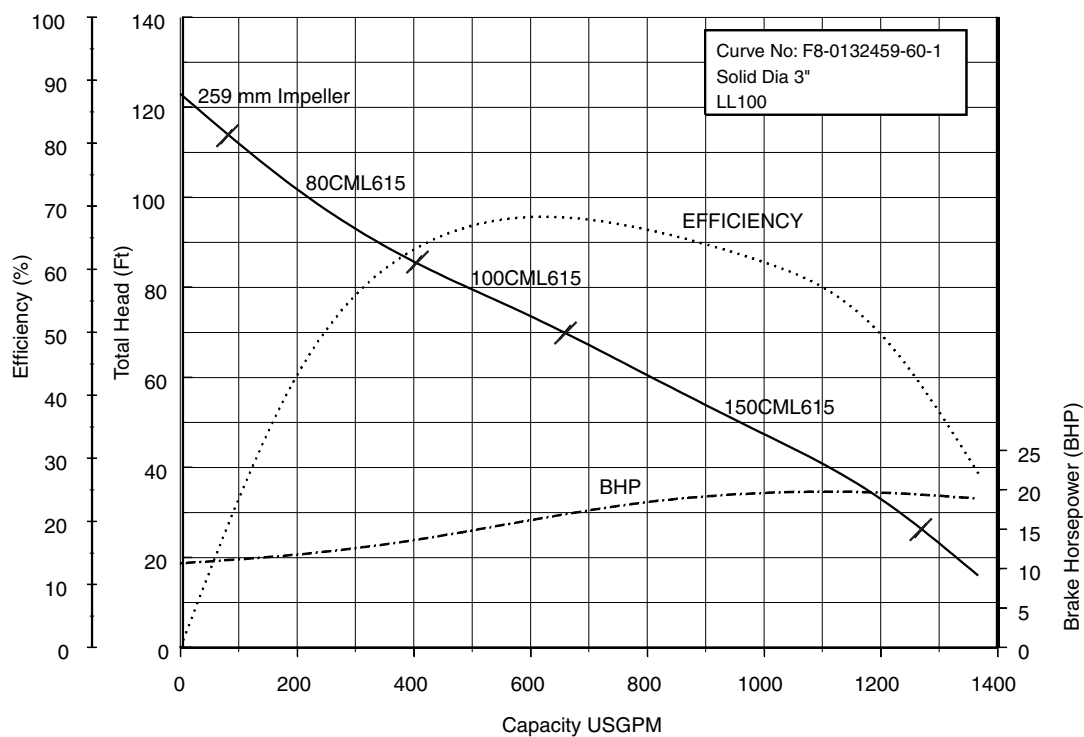


Performance Curves

80, 100, 150CML611 (15HP) Synchronous Speed: 1800 RPM 3, 4, 6 inch Discharge

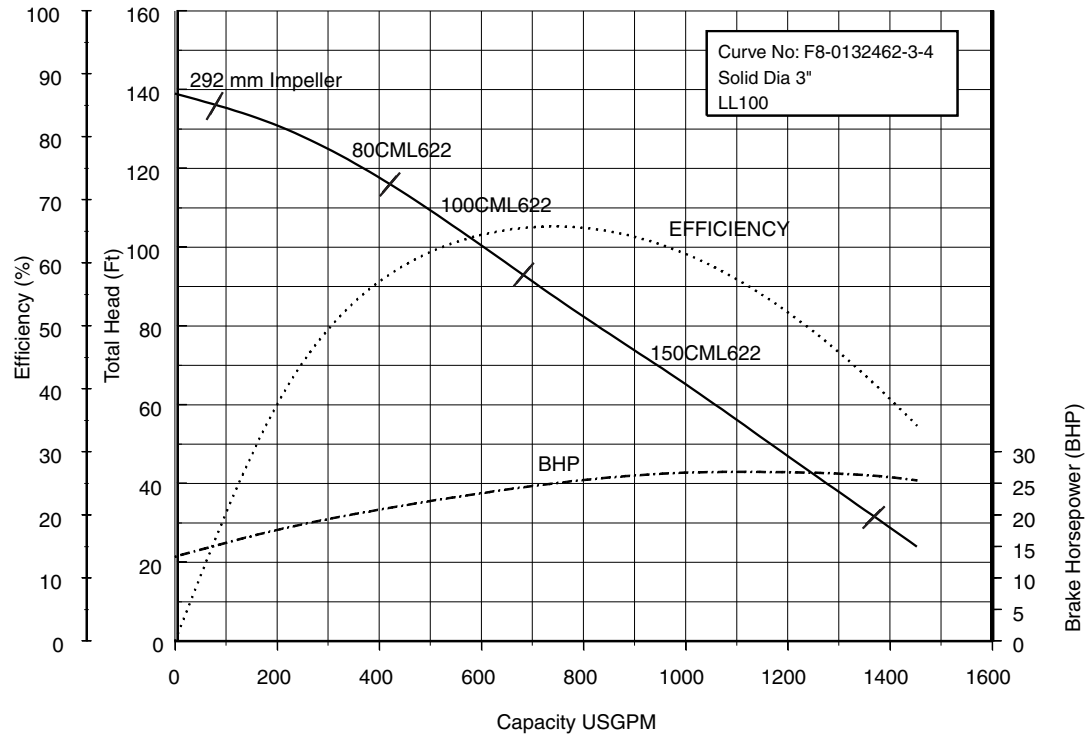


80, 100, 150CML615 (20HP) Synchronous Speed: 1800 RPM 3, 4, 6 inch Discharge



Performance Curves

80, 100, 150CML622 (30HP) Synchronous Speed: 1800 RPM 3, 4, 6 inch Discharge

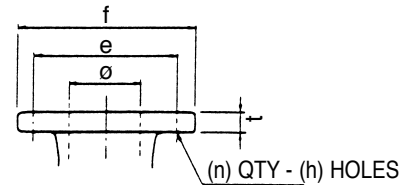
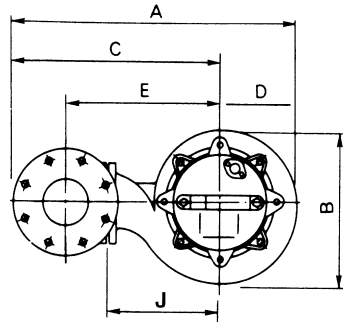
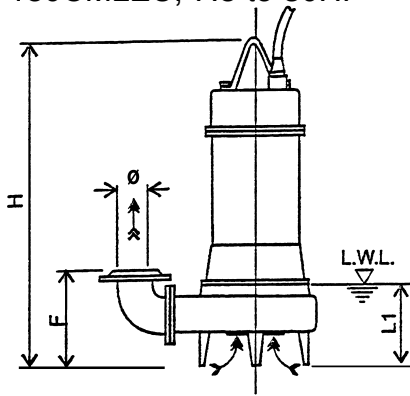


Dimensions
Model CMLEU

80CMLEU, 3 to 30HP

100CMLEU, 5 to 30 HP

150CMLEU, 7.5 to 30HP


Flange (ANSI 125 PSI F.F)

inch					
ø	e	f	t	n	h
3	6	7 ¹ / ₂	³ / ₄	4	³ / ₄
4	7 ¹ / ₂	9	¹⁵ / ₁₆	8	³ / ₄
6	9 ¹ / ₂	11	1	8	³ / ₄

mm					
ø	e	f	t	n	h
80	150	185	19	4	19
100	175	210	20	8	19
150	240	280	22	8	19

Dimensions: inch

PHASE	SIZE ø	MODEL	OUTPUT		PUMP & MOTOR									WEIGHT Lb
			kW	HP	A	B	C	D	E	F	H	J	L1	
THREE	3	80CMLEU62.2	2.2	3	21	12 ⁵ / ₈	14 ⁷ / ₈	6 ³ / ₁₆	11 ¹ / ₄	11 ³ / ₄	26 ⁵ / ₁₆	8 ¹ / ₄	11	176
		80CMLEU63.7	3.7	5	21	12 ⁵ / ₈	14 ⁷ / ₈	6 ³ / ₁₆	11 ¹ / ₄	11 ³ / ₄	28 ⁵ / ₈	8 ¹ / ₄	11	192
		80CMLEU65.5	5.5	7.5	25 ³ / ₁₆	15	17 ¹³ / ₁₆	7 ³ / ₈	14 ³ / ₁₆	13 ¹ / ₈	32 ⁷ / ₁₆	10 ¹ / ₁₆	12 ³ / ₁₆	260
		80CMLEU67.5	7.5	10	25 ³ / ₁₆	15	17 ¹³ / ₁₆	7 ³ / ₈	14 ³ / ₁₆	13 ¹ / ₈	32 ⁷ / ₁₆	10 ¹ / ₁₆	12 ³ / ₁₆	271
		80CMLEU611	11	15	28 ⁷ / ₈	17 ¹⁵ / ₁₆	20 ³ / ₁₆	8 ¹¹ / ₁₆	16 ⁹ / ₁₆	13 ³ / ₄	36 ¹⁵ / ₁₆	12 ³ / ₈	12 ¹⁵ / ₁₆	346
		80CMLEU615	15	20	28 ⁷ / ₈	17 ¹⁵ / ₁₆	20 ³ / ₁₆	8 ¹¹ / ₁₆	16 ⁹ / ₁₆	13 ³ / ₄	36 ¹⁵ / ₁₆	12 ³ / ₈	12 ¹⁵ / ₁₆	359
	80CMLEU622	22	30	30 ⁹ / ₁₆	19 ⁹ / ₁₆	21	9 ⁵ / ₈	17 ⁵ / ₁₆	14 ³ / ₁₆	40 ³ / ₁₆	13 ³ / ₁₆	13 ¹ / ₁₆	492	
	4	100CMLEU63.7	3.7	5	22 ¹¹ / ₁₆	12 ⁵ / ₈	16 ⁹ / ₁₆	6 ³ / ₁₆	12 ³ / ₈	12 ⁵ / ₁₆	28 ⁵ / ₈	8 ¹ / ₄	11	196
		100CMLEU65.5	5.5	7.5	25 ¹¹ / ₁₆	15	18 ⁵ / ₁₆	7 ³ / ₈	14 ³ / ₁₆	13 ¹ / ₈	32 ⁷ / ₁₆	10 ¹ / ₁₆	12 ³ / ₁₆	267
		100CMLEU67.5	7.5	10	25 ¹¹ / ₁₆	15	18 ⁵ / ₁₆	7 ³ / ₈	14 ³ / ₁₆	13 ¹ / ₈	32 ⁷ / ₁₆	10 ¹ / ₁₆	12 ³ / ₁₆	276
		100CMLEU611	11	15	29 ³ / ₈	17 ¹⁵ / ₁₆	20 ¹¹ / ₁₆	8 ¹¹ / ₁₆	16 ⁹ / ₁₆	13 ³ / ₄	36 ¹⁵ / ₁₆	12 ³ / ₈	12 ¹⁵ / ₁₆	353
		100CMLEU615	15	20	29 ³ / ₈	17 ¹⁵ / ₁₆	20 ¹¹ / ₁₆	8 ¹¹ / ₁₆	16 ⁹ / ₁₆	13 ³ / ₄	36 ¹⁵ / ₁₆	12 ³ / ₈	12 ¹⁵ / ₁₆	366
		100CMLEU622	22	30	31 ¹ / ₈	19 ⁹ / ₁₆	21 ⁷ / ₁₆	9 ⁵ / ₈	17 ⁵ / ₁₆	14 ³ / ₁₆	40 ³ / ₁₆	13 ³ / ₁₆	13 ¹ / ₁₆	498
	6	150CMLEU65.5	5.5	7.5	28 ¹ / ₁₆	15	20 ¹¹ / ₁₆	7 ³ / ₈	15 ³ / ₁₆	14 ¹ / ₂	32 ⁷ / ₁₆	10 ¹ / ₁₆	12 ³ / ₁₆	280
		150CMLEU67.5	7.5	10	28 ¹ / ₁₆	15	20 ¹¹ / ₁₆	7 ³ / ₈	15 ³ / ₁₆	14 ¹ / ₂	32 ⁷ / ₁₆	10 ¹ / ₁₆	12 ³ / ₁₆	291
150CMLEU611		11	15	31 ³ / ₄	17 ¹⁵ / ₁₆	23 ¹ / ₁₆	8 ¹¹ / ₁₆	17 ¹ / ₂	15 ³ / ₁₆	36 ¹⁵ / ₁₆	12 ³ / ₈	12 ¹⁵ / ₁₆	366	
150CMLEU615		15	20	31 ³ / ₄	17 ¹⁵ / ₁₆	23 ¹ / ₁₆	8 ¹¹ / ₁₆	17 ¹ / ₂	15 ³ / ₁₆	36 ¹⁵ / ₁₆	12 ³ / ₈	12 ¹⁵ / ₁₆	379	
150CMLEU622		22	30	33 ⁷ / ₁₆	19 ⁹ / ₁₆	23 ¹³ / ₁₆	9 ⁵ / ₈	18 ⁵ / ₁₆	15 ¹¹ / ₁₆	40 ³ / ₁₆	13 ³ / ₁₆	13 ¹ / ₁₆	511	

Dimensions: mm

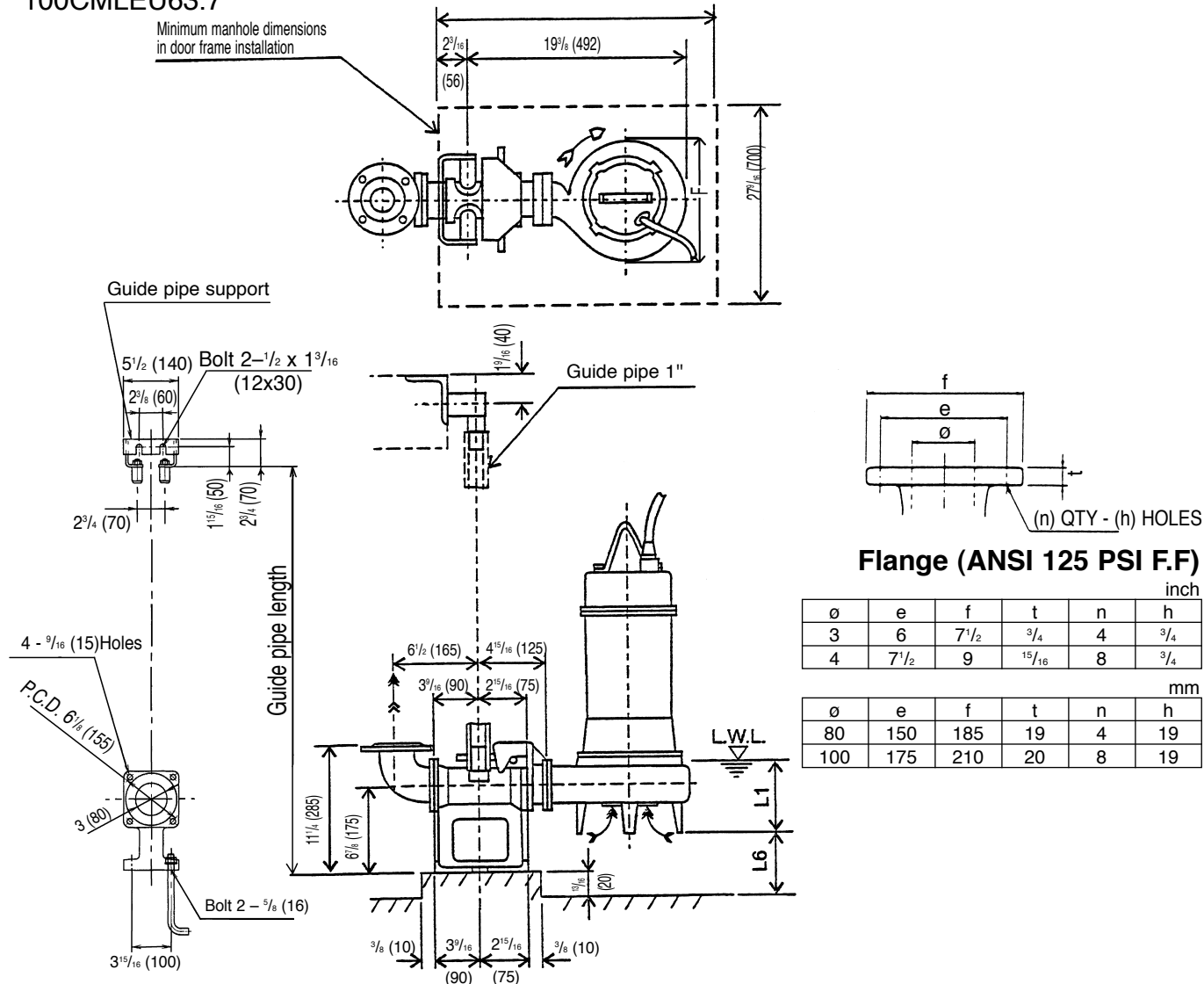
PHASE	SIZE ø	MODEL	OUTPUT		PUMP & MOTOR									WEIGHT kg
			kW	HP	A	B	C	D	E	F	H	J	L1	
THREE	80	80CMLEU62.2	2.2	3	534	320	378	157	285	298	668	210	279	80
		80CMLEU63.7	3.7	5	534	320	378	157	285	298	727	210	279	87
		80CMLEU65.5	5.5	7.5	640	381	453	188	360	334	824	255	310	118
		80CMLEU67.5	7.5	10	640	381	453	188	360	334	824	255	310	123
		80CMLEU611	11	15	734	455	513	221	420	350	938	315	329	157
		80CMLEU615	15	20	734	455	513	221	420	350	938	315	329	163
	80CMLEU622	22	30	777	497	533	245	440	363	1021	335	332	223	
	100	100CMLEU63.7	3.7	5	577	320	420	157	315	313	727	210	279	89
		100CMLEU65.5	5.5	7.5	653	381	465	188	360	334	824	255	310	121
		100CMLEU67.5	7.5	10	653	381	465	188	360	334	824	255	310	125
		100CMLEU611	11	15	746	455	525	221	420	350	938	315	329	160
		100CMLEU615	15	20	746	455	525	221	420	350	938	315	329	166
		100CMLEU622	22	30	790	497	545	245	440	363	1021	335	332	226
	150	150CMLEU65.5	5.5	7.5	713	381	525	188	385	369	824	255	310	127
		150CMLEU67.5	7.5	10	713	381	525	188	385	369	824	255	310	132
150CMLEU611		11	15	806	455	585	221	445	385	938	315	329	166	
150CMLEU615		15	20	806	455	585	221	445	385	938	315	329	172	
150CMLEU622		22	30	850	497	605	245	465	398	1021	335	332	232	

Dimensions
Model CMLEU with Quick Discharge Connector

80CMLEU62.2

80CMLEU63.7

100CMLEU63.7


Dimensions: inch

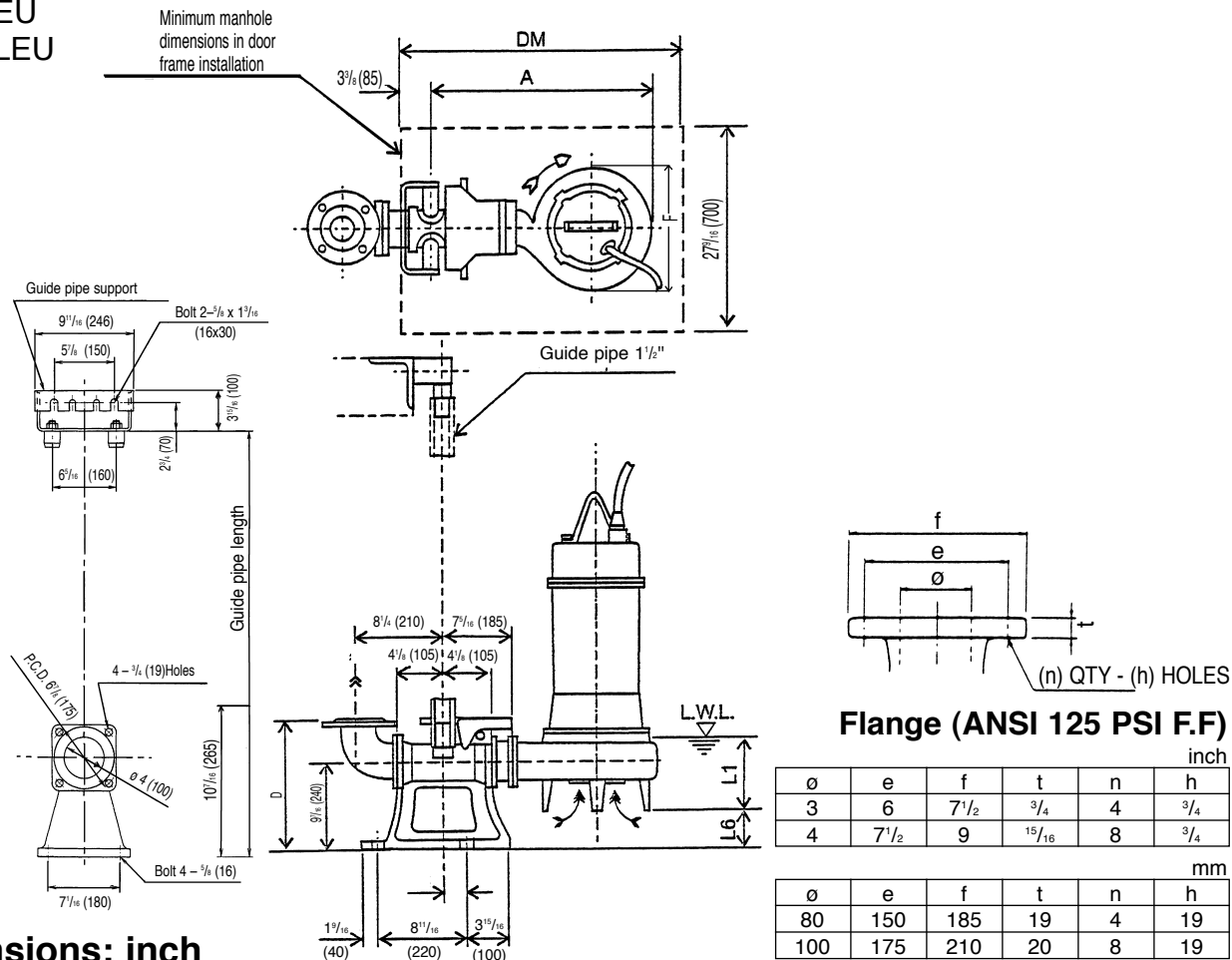
PHASE	SIZE ø	MODEL	OUTPUT		Q.D.C. MODEL	PUMP & MOTOR			WEIGHT Lb	
			kW	HP		F	L1	L6	PUMP	Q.D.C.
THREE	3	80CMLEU62.2	2.2	3	LM80	12 ⁵ / ₈	11	1/4	176	37
		80CMLEU63.7	3.7	5	LM80	12 ⁵ / ₈	11	1/4	192	37
	4	100CMLEU63.7	3.7	5	LM80	12 ⁵ / ₈	11	1/4	196	37

Dimensions: mm

PHASE	SIZE ø	MODEL	OUTPUT		Q.D.C. MODEL	PUMP & MOTOR			WEIGHT Lb	
			kW	HP		F	L1	L6	PUMP	Q.D.C.
THREE	80	80CMLEU62.2	2.2	3	LM80	320	279	7	80	17
		80CMLEU63.7	3.7	5	LM80	320	279	7	87	17
	100	100CMLEU63.7	3.7	5	LM80	320	279	7	89	17



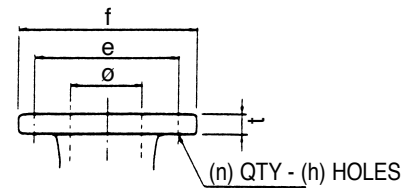
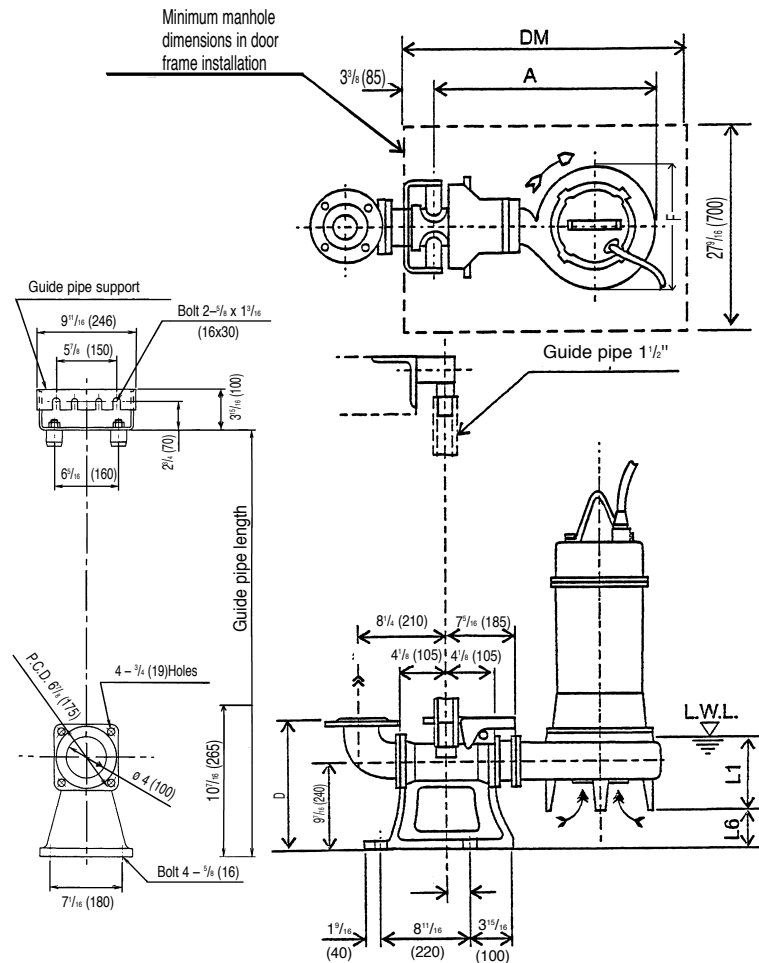
Dimensions
Model CMLEU with Quick Discharge Connector

 80CMLEU
 100CMLEU

Dimensions: inch

PHASE	SIZE ø	MODEL	OUTPUT		Q.D.C. MODEL	PUMP & MOTOR						WEIGHT Lb	
			kW	HP		A	D	F	L1	L6	DM	PUMP	Q.D.C.
THREE	3	80CMLEU65.5	5.5	7.5	LL100	24 ³ / ₄	14 ³ / ₈	15	12 ⁹ / ₁₆	1 ¹ / ₄	31 ¹ / ₂	260	101
		80CMLEU67.5	7.5	10	LL100	24 ³ / ₄	14 ³ / ₈	15	12 ³ / ₁₆	1 ¹ / ₄	31 ¹ / ₂	271	101
		80CMLEU611	11	15	LL100	28 ³ / ₈	14 ³ / ₈	17 ¹⁵ / ₁₆	12 ¹⁵ / ₁₆	⁹ / ₁₆	39 ³ / ₈	346	101
		80CMLEU615	15	20	LL100	28 ³ / ₈	14 ³ / ₈	17 ¹⁵ / ₁₆	12 ¹⁵ / ₁₆	⁹ / ₁₆	39 ³ / ₈	359	101
	80CMLEU622	22	30	LL100	30 ¹ / ₈	14 ³ / ₈	19 ⁹ / ₁₆	13 ¹ / ₁₆	¹ / ₂	39 ³ / ₈	492	101	
	4	100CMLEU65.5	5.5	7.5	LL100	24 ³ / ₄	14 ³ / ₈	15	12 ⁹ / ₁₆	1 ¹ / ₄	31 ¹ / ₂	267	101
		100CMLEU67.5	7.5	10	LL100	24 ³ / ₄	14 ³ / ₈	15	12 ⁹ / ₁₆	1 ¹ / ₄	31 ¹ / ₂	276	101
		100CMLEU611	11	15	LL100	28 ³ / ₈	14 ³ / ₈	17 ¹⁵ / ₁₆	12 ¹⁵ / ₁₆	⁹ / ₁₆	39 ³ / ₈	353	101
100CMLEU615		15	20	LL100	28 ³ / ₈	14 ³ / ₈	17 ¹⁵ / ₁₆	12 ¹⁵ / ₁₆	⁹ / ₁₆	39 ³ / ₈	366	101	
100CMLEU622	22	30	LL100	30 ¹ / ₈	14 ³ / ₈	19 ⁹ / ₁₆	13 ¹ / ₁₆	¹ / ₂	39 ³ / ₈	498	101		

Dimensions: mm

PHASE	SIZE ø	MODEL	OUTPUT		Q.D.C. MODEL	PUMP & MOTOR						WEIGHT Lb	
			kW	HP		A	D	F	L1	L6	DM	PUMP	Q.D.C.
THREE	80	80CMLEU65.5	5.5	7.5	LL100	628	365	381	310	31	800	118	46
		80CMLEU67.5	7.5	10	LL100	628	365	381	310	31	800	123	46
		80CMLEU611	11	15	LL100	721	365	455	329	15	1000	157	46
		80CMLEU615	15	20	LL100	721	365	455	329	15	1000	163	46
	80CMLEU622	22	30	LL100	765	365	497	332	12	1000	223	46	
	100	100CMLEU65.5	5.5	7.5	LL100	628	365	381	310	31	800	121	46
		100CMLEU67.5	7.5	10	LL100	628	365	381	310	31	800	125	46
		100CMLEU611	11	15	LL100	721	365	455	329	15	1000	160	46
100CMLEU615		15	20	LL100	721	365	455	329	15	1000	166	46	
100CMLEU622	22	30	LL100	765	365	497	332	12	1000	226	46		

Dimensions
Model CMLEU with Quick Discharge Connector
150CMLEU

Flange (ANSI 125 PSI F.F)

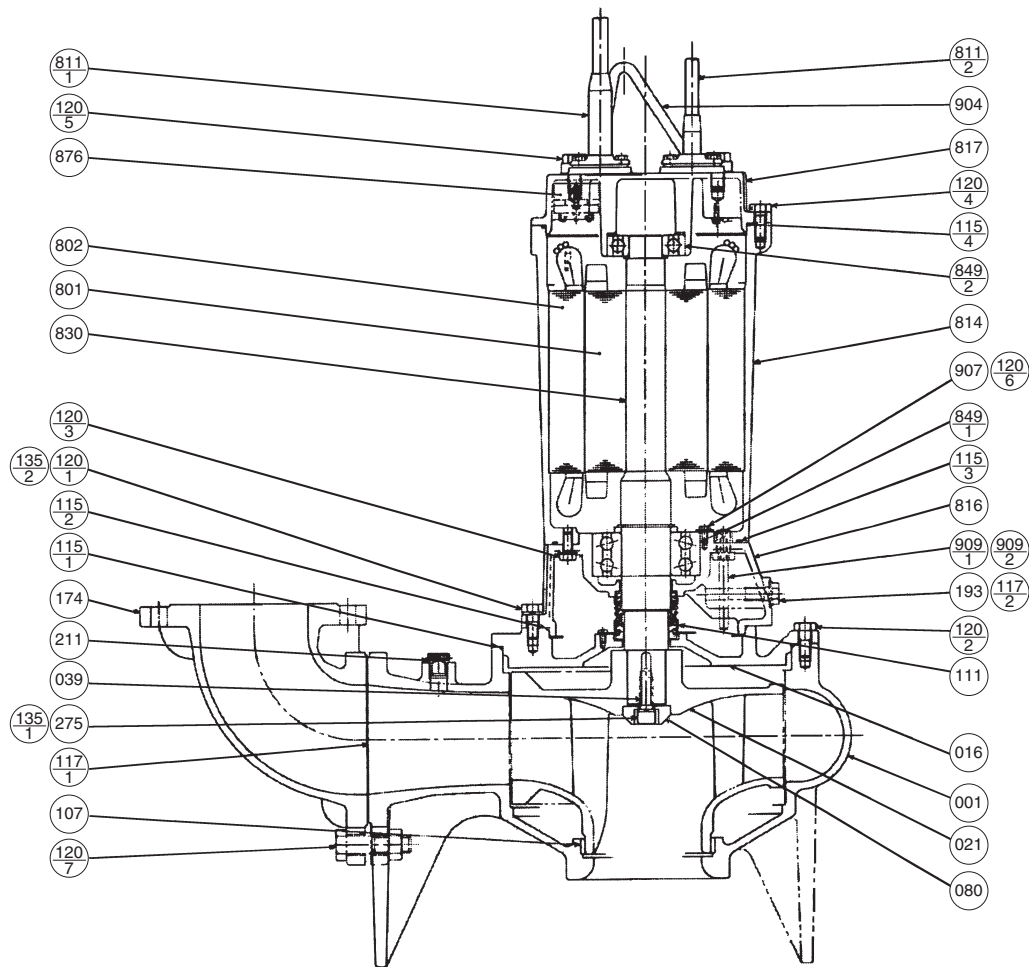
ø	e	f	t	n	h
6	9 1/2	11	1	8	3/4
mm					
150	240	280	212	8	19

Dimensions: inch

PHASE	SIZE ø	MODEL	OUTPUT		Q.D.C. MODEL	PUMP & MOTOR					WEIGHT Lb		
			kW	HP		A	D	F	L1	L6	DM	PUMP	Q.D.C.
THREE	6	150CMLEU65.5	5.5	7.5	LL100	24 3/4	15 3/4	15	12 3/16	1 1/4	31 1/2	280	101
		150CMLEU67.5	7.5	10	LL100	24 3/4	15 3/4	15	12 3/16	1 1/4	31 1/2	291	101
		150CMLEU611	11	115	LL100	28 3/8	15 3/4	17 15/16	12 15/16	9/16	39 3/8	366	101
		150CMLEU615	15	20	LL100	28 3/8	15 3/4	17 15/16	12 15/16	9/16	39 3/8	379	101
		150CMLEU622	22	30	LL100	30 1/8	15 3/4	19 9/16	13 1/16	1/2	39 3/8	511	101

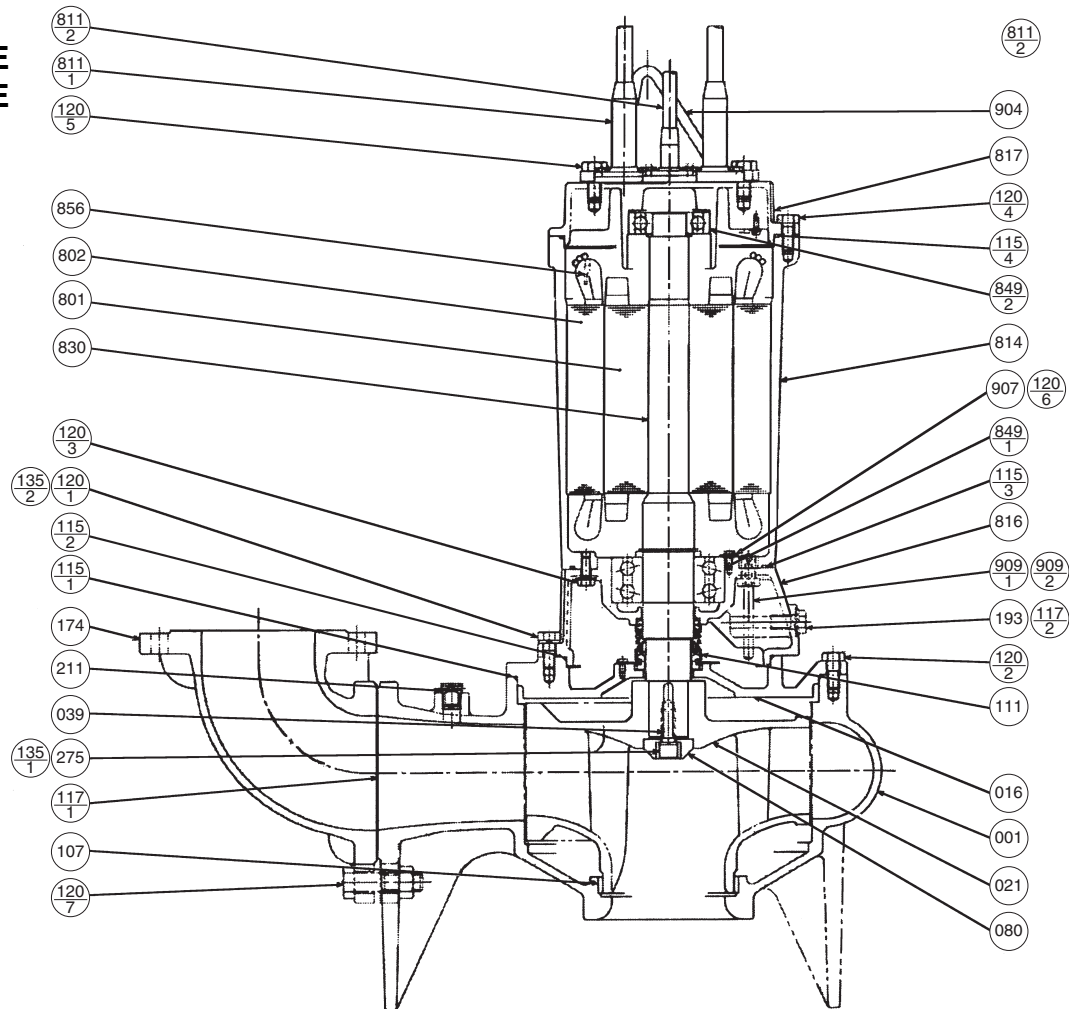
Dimensions: mm

PHASE	SIZE ø	MODEL	OUTPUT		Q.D.C. MODEL	PUMP & MOTOR					WEIGHT Lb		
			kW	HP		A	D	F	L1	L6	DM	PUMP	Q.D.C.
THREE	150	150CMLEU65.5	5.5	7.5	LL100	628	400	381	310	31	800	127	46
		150CMLEU67.5	7.5	10	LL100	628	400	381	310	31	800	132	46
		150CMLEU611	11	115	LL100	721	400	455	329	15	1000	166	46
		150CMLEU615	15	20	LL100	721	400	455	329	15	1000	172	46
		150CMLEU622	22	30	LL100	765	400	497	332	12	1000	232	46

Sectional View
80CMLE62.2


PART NO.	PART NAME	MATERIAL	NO. FOR 1 UNIT
909-2	ELECTRODE HOLDER	PVC	1
909-1	ELECTRODE	SUS304	1
907	BEARING COVER	SPCC	1
904	LIFTING HANGER	SS400	1
876	AUTO CUT	—	1
849-2	BALL BEARING	—	1
849-1	BALL BEARING	—	1
830	SHAFT	SUS403	1
817	OPPOSITE SIDE BRACKET	FC200	1
816	POWER SIDE BRACK-	FC200	1
814	ET	FC200	1
811-2	MOTOR FRAME	—	1
811-1	SUBMERSIBLE CABLE	—	1
802	SUBMERSIBLE CABLE	—	1
801	STATOR	—	1
275	ROTOR	SUS304	1
211	IMPELLER BOLT	C3604	1
193	AIR VENT VALVE	SUS304	1
174	OIL PLUG	FC200	1
135-2	DISCHARGE PIPE	SUS304	4
135-1	WASHER	SUS304	1
	WASHER		

PART NO.	PART NAME	MATERIAL	NO. FOR 1 UNIT
120-7	BOLT	SUS304	4
120-6	BOLT	SUS304	3
120-5	BOLT	SUS304	2
120-4	BOLT	SUS304	4
120-3	BOLT	SUS304	4
120-2	BOLT	SUS304	8
120-1	BOLT	SUS304	4
117-2	SEAL WASHER	NBR/304	1
117-1	FLANGE GASKET	—	1
115-4	O-RING	NBR	1
115-3	O-RING	NBR	1
115-2	O-RING	NBR	1
115-1	O-RING	NBR	1
111	MECHANICAL SEAL	—	1
107	WEARING RING	CAC406	1
080	BUSHING	SS400	1
039	KEY	SUS420J2	1
021	IMPELLER	FC200	1
016	MECHANICAL SEAL COVER	FC200	1
001	CASING	FC200	1

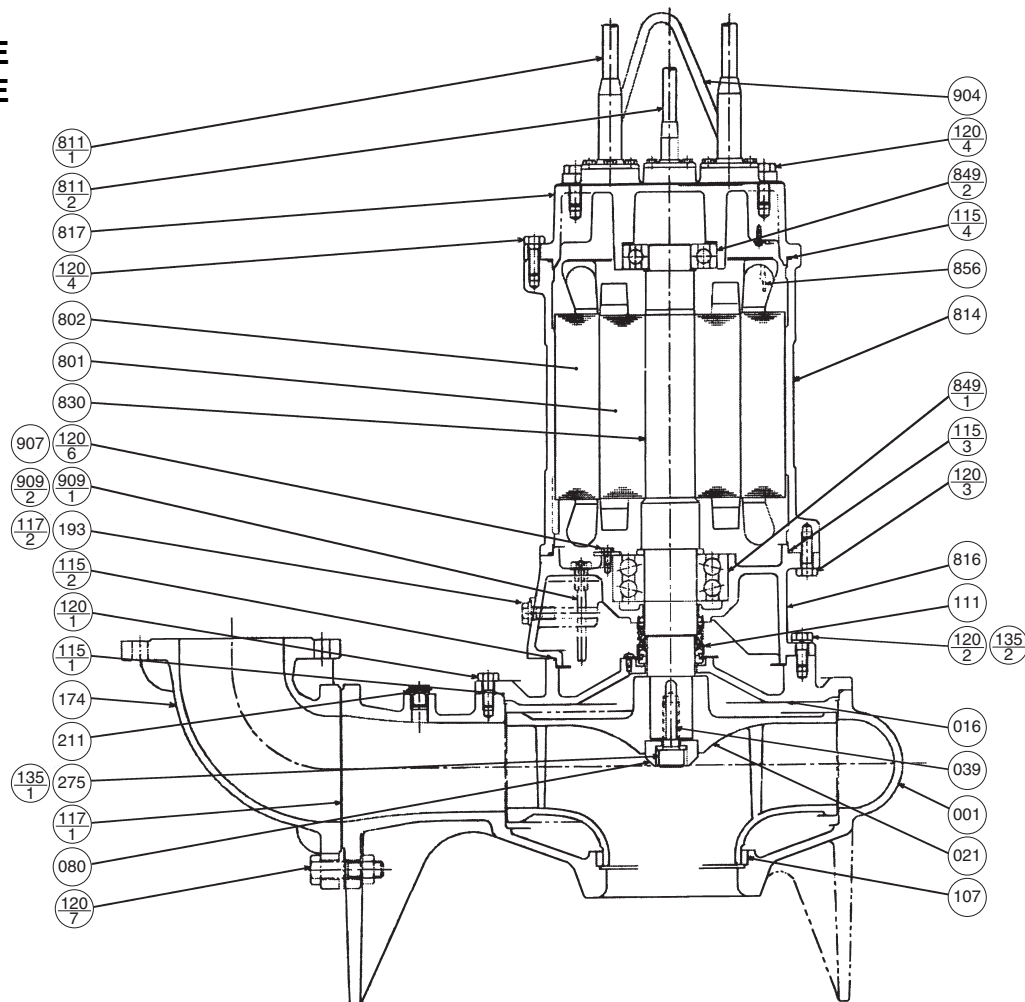
Sectional View
5 to 10 HP
80CMLE
100CMLE
150CMLE


PART NO.	PART NAME	MATERIAL	NO. FOR 1 UNIT
909-2	ELECTRODE HOLDER	PVC	1
909-1	ELECTRODE	SUS304	1
907	BEARING COVER	SPCC	3
904	LIFTING HANGER	SS400	1
856	THERMAL PROTECTOR	—	2
849-2	BALL BEARING	—	1
849-1	BALL BEARING	—	1
830	SHAFT	SUS403	1
817	OPPOSITE SIDE BRACKET	FC200	1
816	POWER SIDE BRACK-	FC200	1
814	ET	FC200	1
811-2	MOTOR FRAME	—	1
811-1	SUBMERSIBLE CABLE	—	2
802	SUBMERSIBLE CABLE	—	1
801	STATOR	—	1
275	ROTOR	SUS304	1
211	IMPELLER BOLT	C3604	1
193	AIR VENT VALVE	SUS304	1
174	OIL PLUG	FC200	1
135-2	DISCHARGE PIPE	SUS304	4
135-1	WASHER	SUS304	1
	WASHER		

PART NO.	PART NAME	MATERIAL	NO. FOR 1 UNIT
120-7	BOLT	SUS304	4
120-6	BOLT	SUS304	3
120-5	BOLT	SUS304	2
120-4	BOLT	SUS304	4
120-3	BOLT	SUS304	4
120-2	BOLT	SUS304	8
120-1	BOLT	SUS304	4
117-2	SEAL WASHER	NBR/304	1
117-1	FLANGE GASKET	—	1
115-4	O-RING	NBR	1
115-3	O-RING	NBR	1
115-2	O-RING	NBR	1
115-1	O-RING	NBR	1
111	MECHANICAL SEAL	—	1
107	WEARING RING	CAC406	1
080	BUSHING	SS400	1
039	KEY	SUS420J2	1
021	IMPELLER	FC200	1
016	MECHANICAL SEAL COVER	FC200	1
001	CASING	FC200	1

Sectional View

15 to 30HP
80CMLE
100CMLE
150CMLE



PART NO.	PART NAME	MATERIAL	NO. FOR 1 UNIT
909-2	ELECTRODE HOLDER	PVC	1
909-1	ELECTRODE	SUS304	1
907	BEARING COVER	SPCC	3
904	LIFTING HANGER	SS400	1
856	THERMAL PROTECTOR	—	2
849-2	BALL BEARING	—	1
849-1	BALL BEARING	—	1
830	SHAFT	SUS403	1
817	OPPOSITE SIDE BRACKET	FC200	1
816	POWER SIDE BRACK-	FC200	1
814	ET	FC200	1
811-2	MOTOR FRAME	—	1
811-1	SUBMERSIBLE CABLE	—	2
802	SUBMERSIBLE CABLE	—	1
801	STATOR	—	1
275	ROTOR	SUS304	1
211	IMPELLER BOLT	C3604	1
193	AIR VENT VALVE	SUS304	1
174	OIL PLUG	FC200	1
135-2	DISCHARGE PIPE	SUS304	4
135-1	WASHER	SUS304	1
	WASHER		

PART NO.	PART NAME	MATERIAL	NO. FOR 1 UNIT
120-7	BOLT	SUS304	4
120-6	BOLT	SUS304	3
120-5	BOLT	SUS304	2
120-4	BOLT	SUS304	6
120-3	BOLT	SUS304	4
120-2	BOLT	SUS304	4
120-1	BOLT	SUS304	8
117-2	SEAL WASHER	NBR/304	1
117-1	FLANGE GASKET	—	1
115-4	O-RING	NBR	1
115-3	O-RING	NBR	1
115-2	O-RING	NBR	1
115-1	O-RING	NBR	1
111	MECHANICAL SEAL	—	1
107	WEARING RING	CAC406	1
080	BUSHING	SS400	1
039	KEY	SUS420J2	1
021	IMPELLER	FC200	1
016	MECHANICAL SEAL COVER	FC200	1
001	CASING	FC200	1

Motor Data
Models CMLEU
Three Phase
3 to 30HP
60HZ
230V

Name-Plate Rating	Output	HP	3	5	7½	10	15	20	30
		kW	2.2	3.7	5.5	7.5	11	15	22
	Phase		3	3	3	3	3	3	3
	Poles		4	4	4	4	4	4	4
	Volts V		230	230	230	230	230	230	230
	Amperes A		9.8	15.4	23	29.8	41.2	54.6	73.2
	Speed min ⁻¹		1720	1720	1740	1750	1750	1760	1770
	Insulation Class		F	F	F	F	F	F	F
Capacitor µF		Start	—	—	—	—	—	—	—
		Run	—	—	—	—	—	—	—
No Load Test		Amperes	4.44	6.84	11.64	14.53	17.64	22.2	26.97
		Watts	750	1100	1400	1450	1600	2150	2100
Resistance at 20°C		OHMS	1.89	0.975	0.502	0.354	0.257	0.164	0.083
100% Load		Current Amp.	9.8	15.4	23	29.8	41.2	54.6	73.2
		Efficiency %	64.68	69.03	71.13	74.9	78.26	79.27	86.63
		Power Factor %	86.28	87.28	84.13	84.12	85.46	86.8	87.49
		Speed min ⁻¹	1721	1728	1743	1755	1757	1763	1773
Locked Rotor Torque		%	219	245	278	287	184	201	173
Starting Current		(A)	53	97.8	166.6	229.6	264.6	413.8	584.4
Number Starts Per Hour			20	20	20	20	20	20	20
Design Standard			JEC37						
Voltage Tolerance		%	-10 to +6%	±10%	±10%	±10%	±10%	±10%	±10%
Frequency Tolerance		%	±5%	±5%	±5%	±5%	±5%	±5%	±5%

Motor Data
Models CMLEU
Three Phase
3 to 30HP
60HZ
460V

Name-Plate Rating	Output	HP	3	5	7½	10	15	20	30
		kW	2.2	3.7	5.5	7.5	11	15	22
	Phase		3	3	3	3	3	3	3
	Poles		4	4	4	4	4	4	4
	Volts V		460	460	460	460	460	460	460
	Amperes A		4.9	7.7	11.5	14.9	20.6	27.3	36.6
	Speed min ⁻¹		1720	1720	1740	1750	1750	1760	1770
	Insulation Class		F	F	F	F	F	F	F
Capacitor µF	Start		—	—	—	—	—	—	—
	Run		—	—	—	—	—	—	—
No Load Test	Amperes		2.22	3.42	5.82	7.27	8.82	11.1	13.48
	Watts		750	1100	1400	1450	1600	2150	2100
Resistance at 20°C	OHMS		6.953	3.592	1.842	1.248	0.863	0.549	0.289
100% Load	Current Amp.		4.9	7.7	11.5	14.9	20.6	27.3	36.6
	Efficiency %		64.68	69.03	71.13	74.9	78.26	79.27	86.63
	Power Factor %		86.28	87.28	84.13	84.12	85.46	86.8	87.49
	Speed min ⁻¹		1721	1728	1743	1755	1757	1763	1773
Locked Rotor Torque %		222	248	278	287	184	201	173	
Starting Current (A)		26.5	48.9	83.3	114.8	132.3	206.9	292.2	
Number Starts Per Hour		20	20	20	20	20	20	20	
Design Standard		JEC37							
Voltage Tolerance %		-10 to +6%	±10%	±10%	±10%	±10%	±10%	±10%	
Frequency Tolerance %		±5%	±5%	±5%	±5%	±5%	±5%	±5%	

Motor Specification
4 Pole Motor Specification

OUTPUT		PHASE	VOLTAGE V	GAUGE mm ²	NUMBER OF COND.	DETAILS OF CONDUCTOR		INSULATOR THICKNESS mm	SHEATH THICKNESS mm	CABLE O.D. mm	CONDUCTOR RESISTANCE at 20 °C/km
HP	KW					QTY/DIA. OF WIRE PCS/mm	DIAMETER mm				
3	2.2	THREE	230/460	2	4	37/0.26	1.8	0.8	1.8	11.8	9.79
5	3.7	THREE	230/460	2	4	37/0.26	1.8	0.8	1.8	11.8	9.79
					3	37/0.26	1.8	0.8	1.8	10.9	9.79
7½	5.5	THREE	230/460	3.5	4	45/0.32	2.5	0.8	2	13.9	5.24
					3	45/0.32	2.5	0.8	1.9	12.6	5.24
10	7.5	THREE	230/460	3.5	4	45/0.32	2.5	0.8	2	13.9	5.24
					3	45/0.32	2.5	0.8	1.9	12.6	5.24
15	11	THREE	230/460	3.5	4	45/0.32	2.5	0.8	2	13.9	5.24
					3	45/0.32	2.5	0.8	1.9	12.6	5.24
20	15	THREE	230/460	5.5	4	70/0.32	3.1	1	2.1	16.5	3.37
					3	70/0.32	3.1	1	2	15	3.37
30	22	THREE	230/460	14	4	88/0.45	4.9	1	2.4	22	1.43
					3	88/0.45	4.9	1	2.3	20	1.43

Sensor Cable Specifications

OUTPUT		PHASE	VOLTAGE V	GAUGE AWG	NUMBER OF COND.	DETAILS OF CONDUCTOR		INSULATOR THICKNESS mm	SHEATH THICKNESS mm	CABLE O.D. mm	CONDUCTOR RESISTANCE at 20 °C/km
HP	KW					QTY/DIA. OF WIRE PCS/mm	DIAMETER mm				
3	2.2	THREE	230/460	(#16)	2	50/0.18	1.25	0.8	1.7	9.6	15.1
5-30	3.7-22				4			11	1.8		

Motor Wiring Diagram

Output 3HP
230V

LINE CABLE

E- GREEN

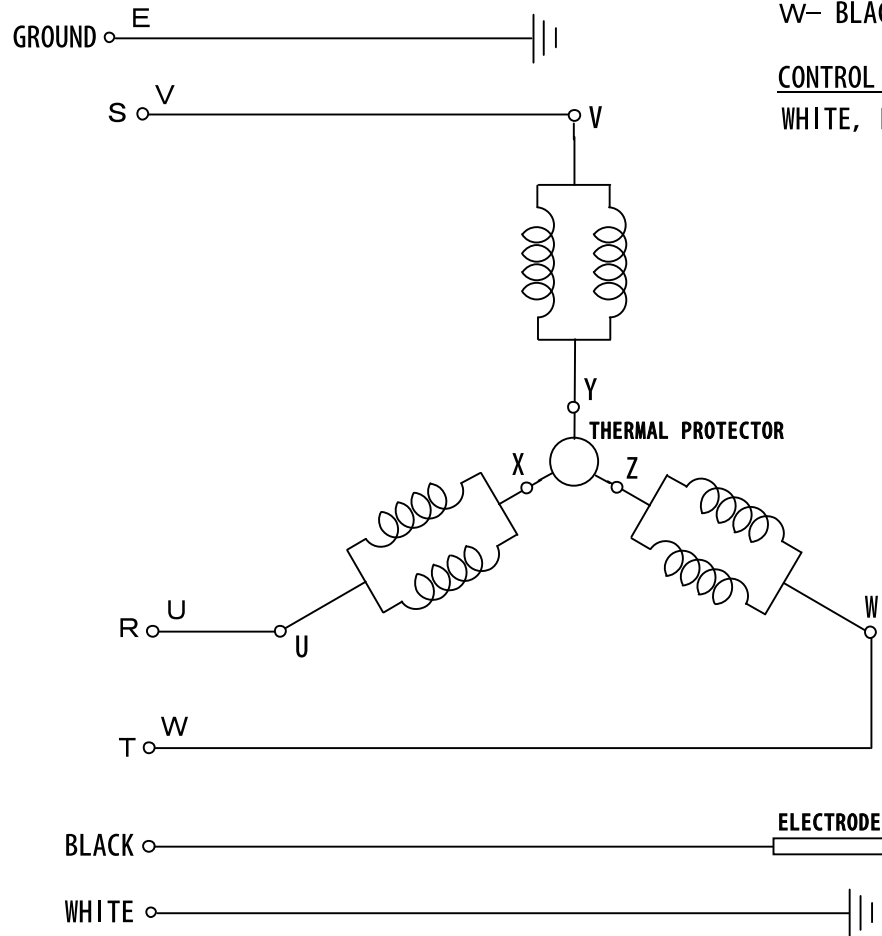
U- RED

V- WHITE

W- BLACK

CONTROL CABLE

WHITE, BLACK



Motor Wiring Diagram

Output 3HP
460V

LINE CABLE

E- GREEN

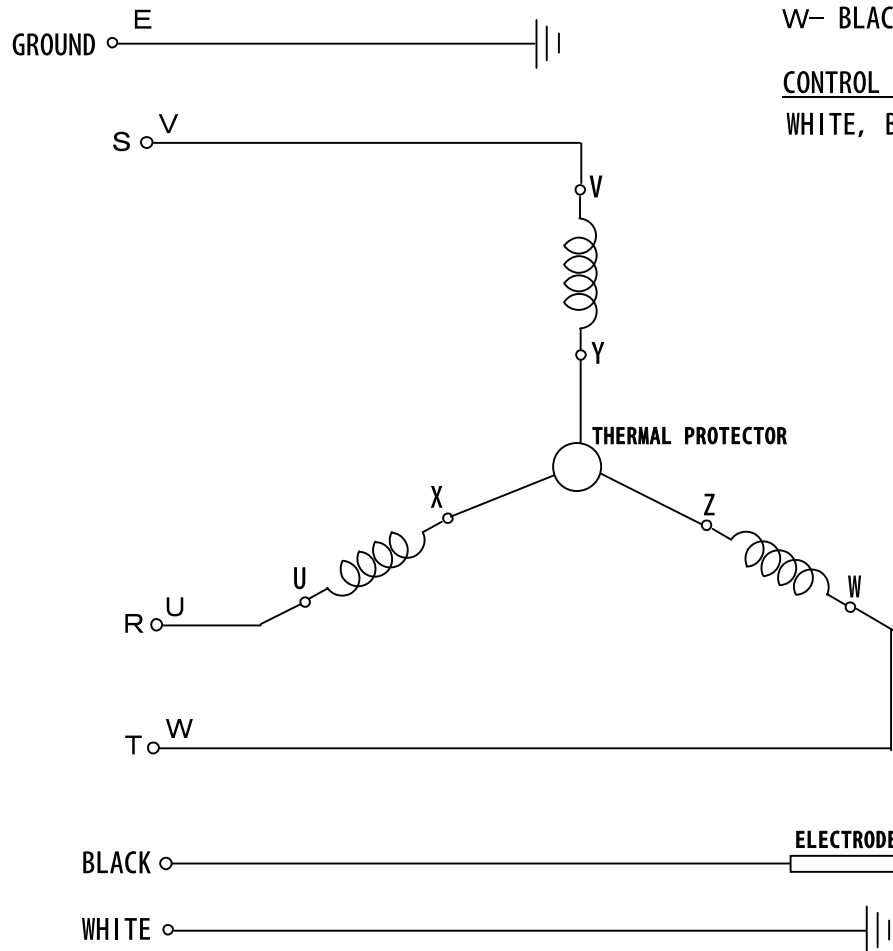
U- RED

V- WHITE

W- BLACK

CONTROL CABLE

WHITE, BLACK



Motor Wiring Diagram

Output 5, 7.5, 15, 20, 30HP
230V

LINE CABLE

E- GREEN

U- RED

V- WHITE

W- BLACK

Z- RED

X- WHITE

Y- BLACK

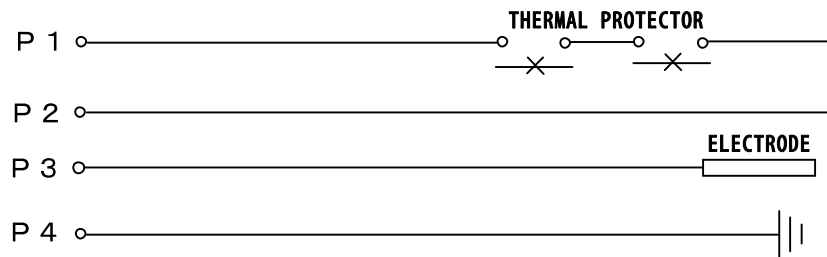
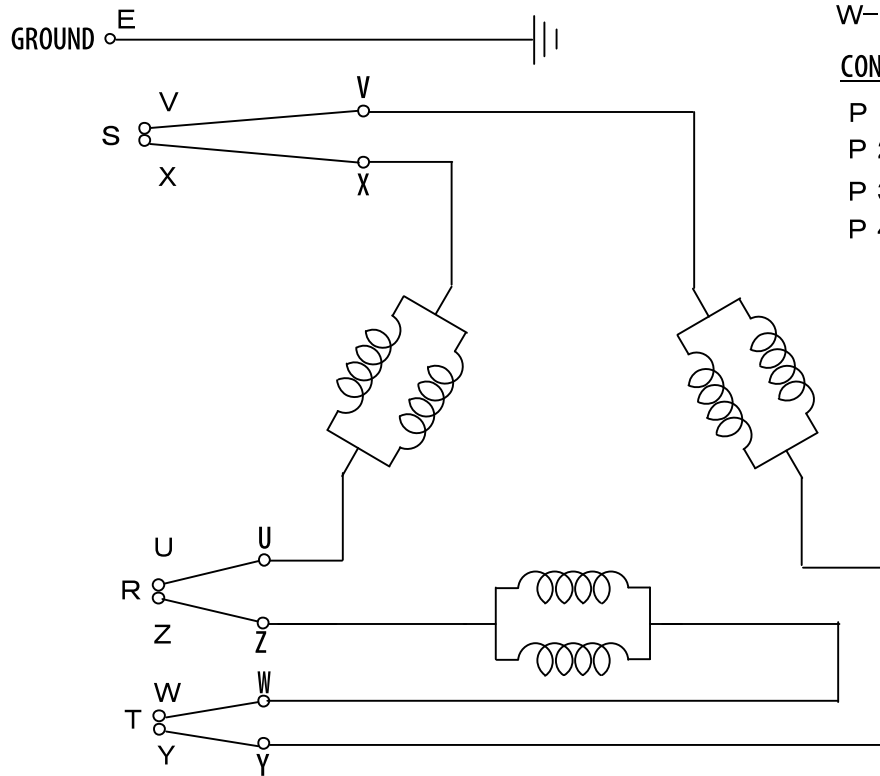
CONTROL CABLE

P 1- RED

P 2- WHITE

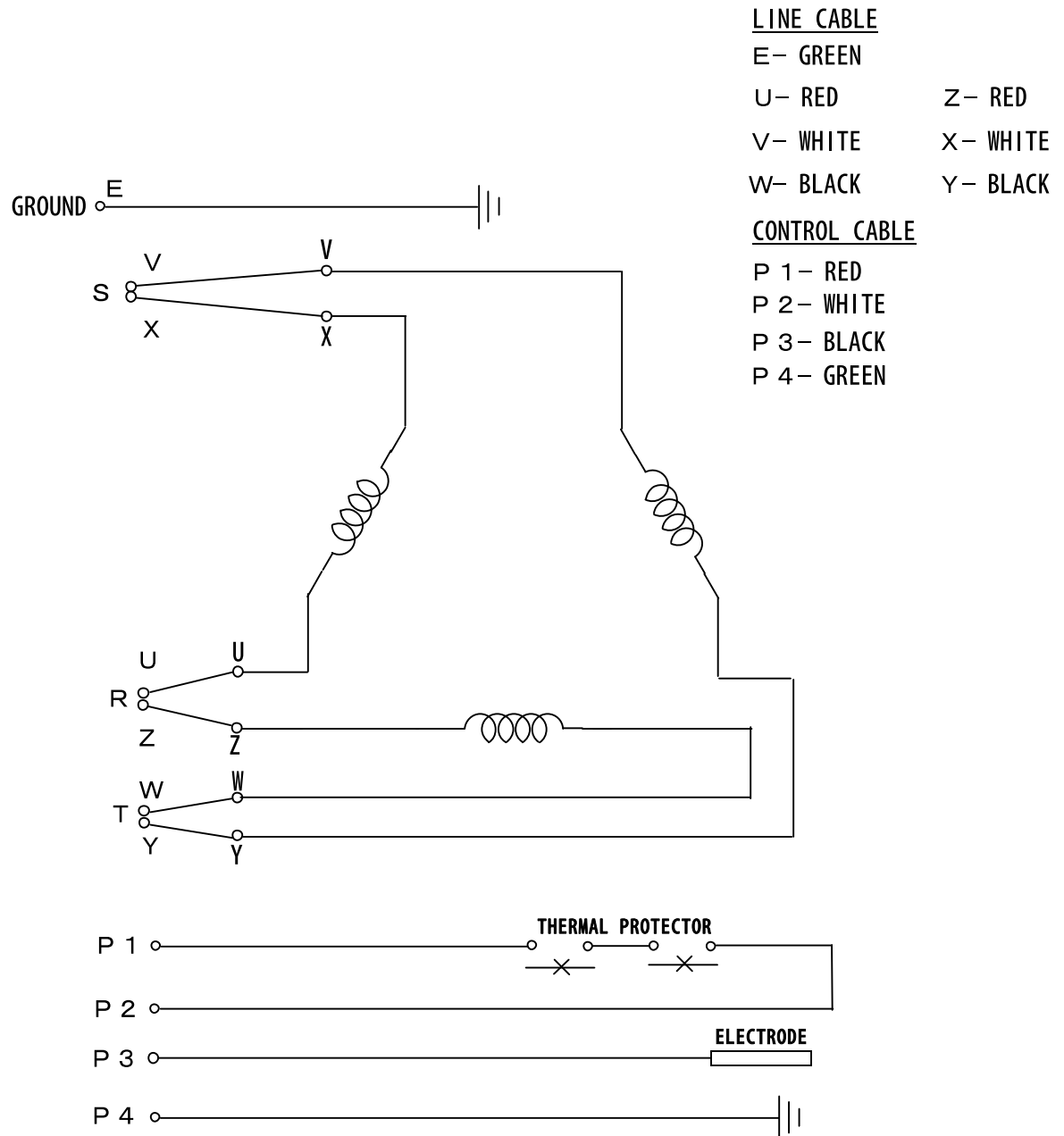
P 3- BLACK

P 4- GREEN



Motor Wiring Diagram

Output 5, 7.5, 15, 20, 30HP
460V



Motor Wiring Diagram

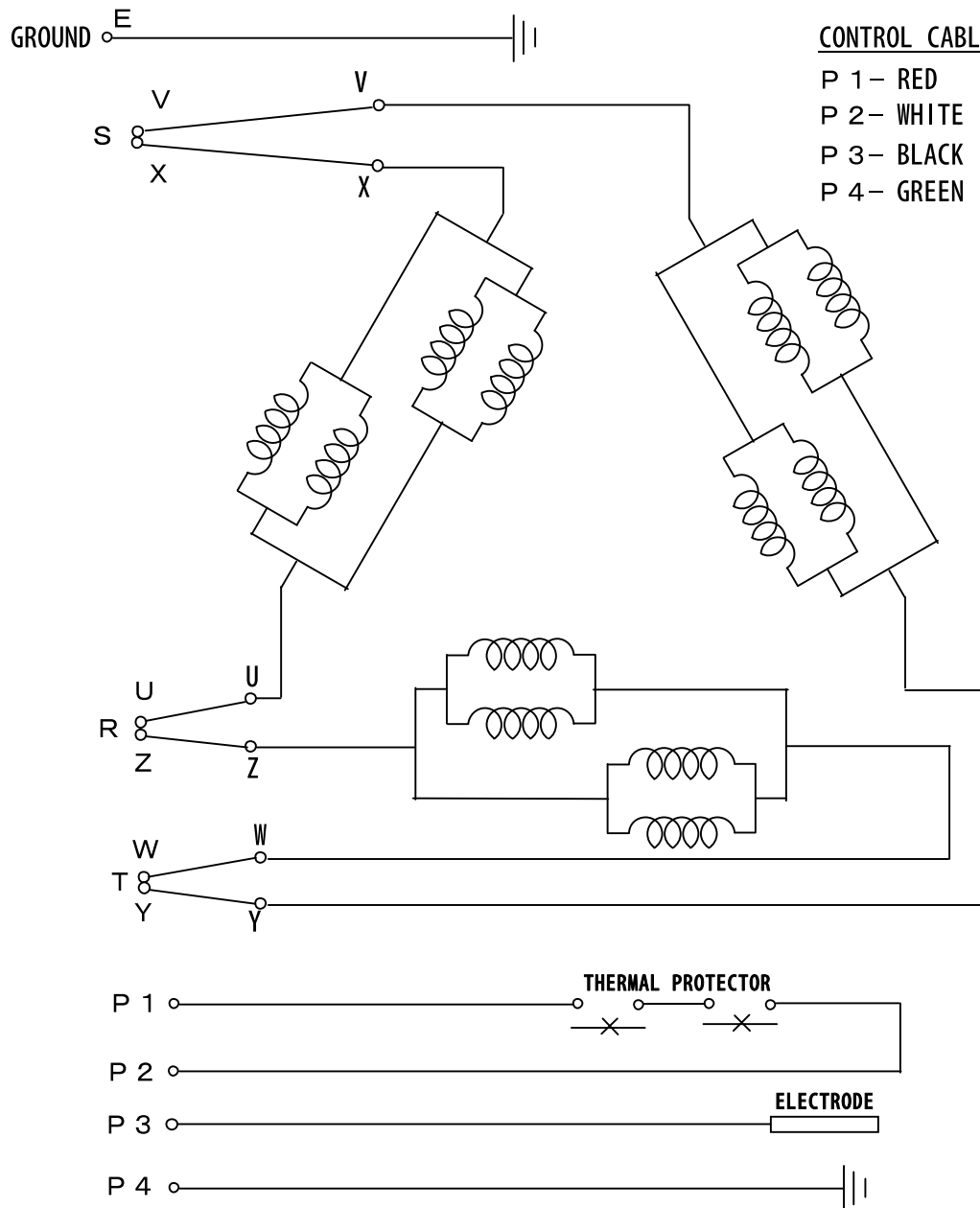
Output 10HP
230V

LINE CABLE

- E- GREEN
- U- RED Z- RED
- V- WHITE X- WHITE
- W- BLACK Y- BLACK

CONTROL CABLE

- P 1- RED
- P 2- WHITE
- P 3- BLACK
- P 4- GREEN



Motor Wiring Diagram

Output 10HP
460V

LINE CABLE

- E- GREEN
- U- RED Z- RED
- V- WHITE X- WHITE
- W- BLACK Y- BLACK

CONTROL CABLE

- P 1- RED
- P 2- WHITE
- P 3- BLACK
- P 4- GREEN

