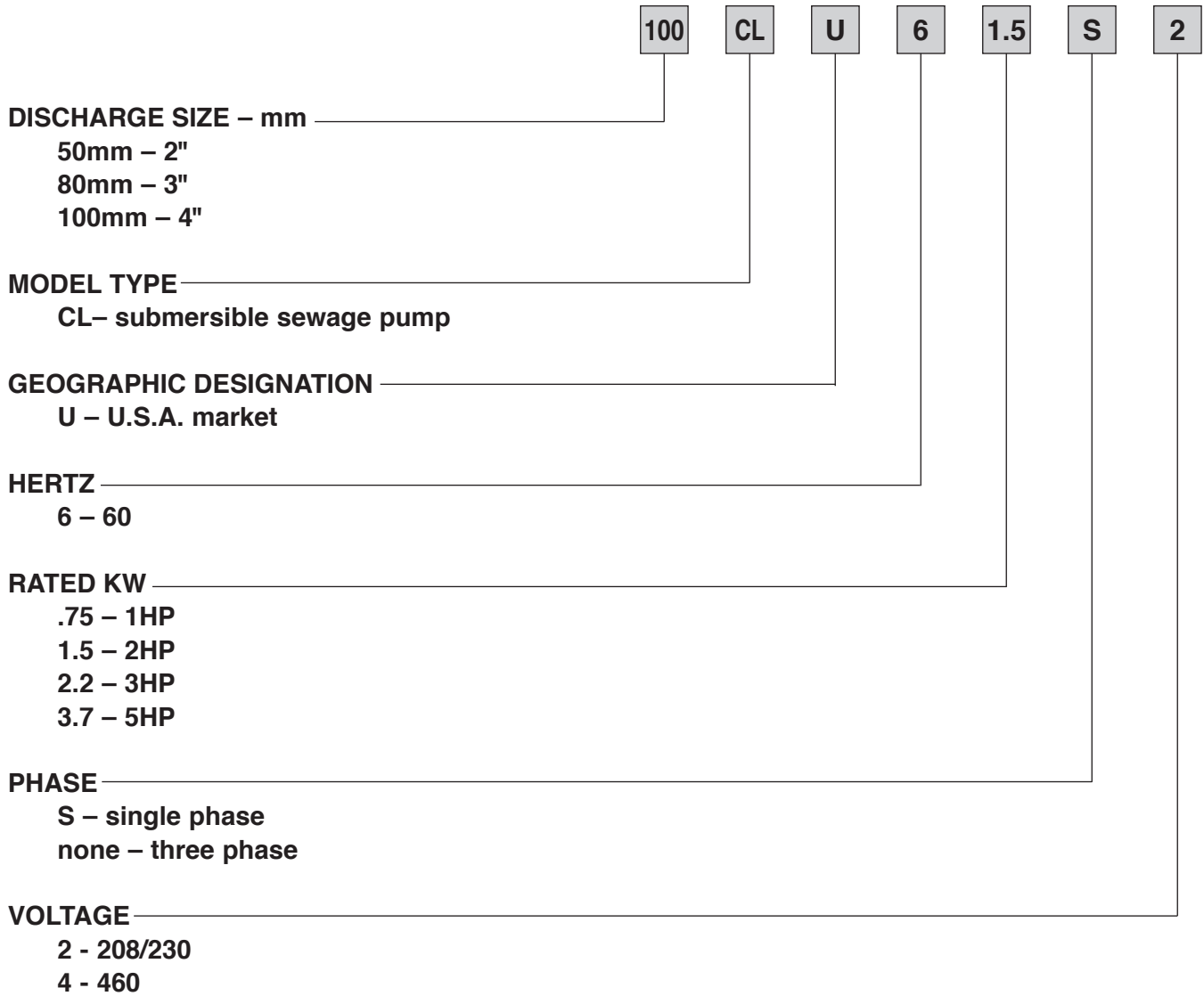


Contents

Model

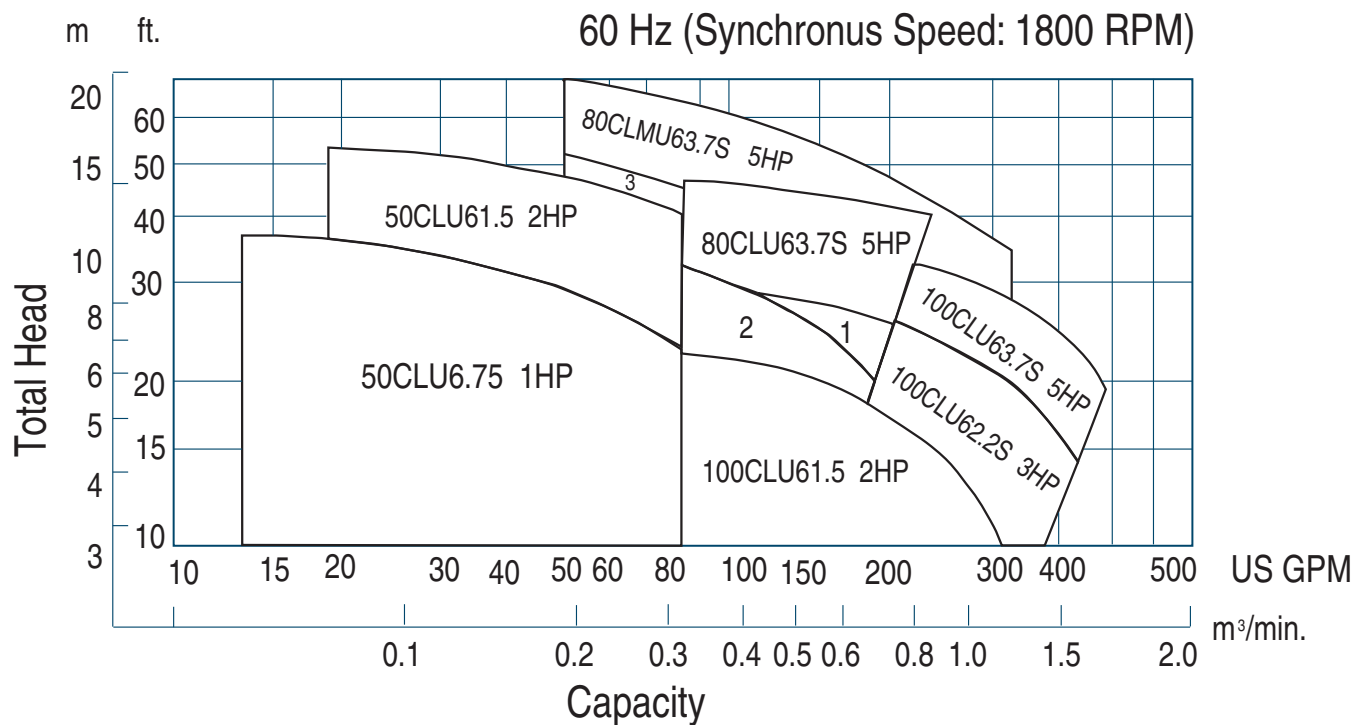
50CLU6.75S
50CLU6.75
50CLU61.5S
50CLU61.5
80CLMU61.5S
80CLMU61.5
80CLU62.2S
80CLMU62.2S
80CLU63.7S
80CLMU63.7S
100CLU61.5S
100CLU61.5
100CLU62.2S
100CLU63.7S
100CLMU63.7S

Section	Page
Specifications	1602
Selection Chart	1603
Performance Curves	1604
Dimensions	1610
Sectional View	1616
QDC Information	2100
Motor Data	2200
motor electrical specifications	
cable data	
wiring diagrams	
motor electrical data	

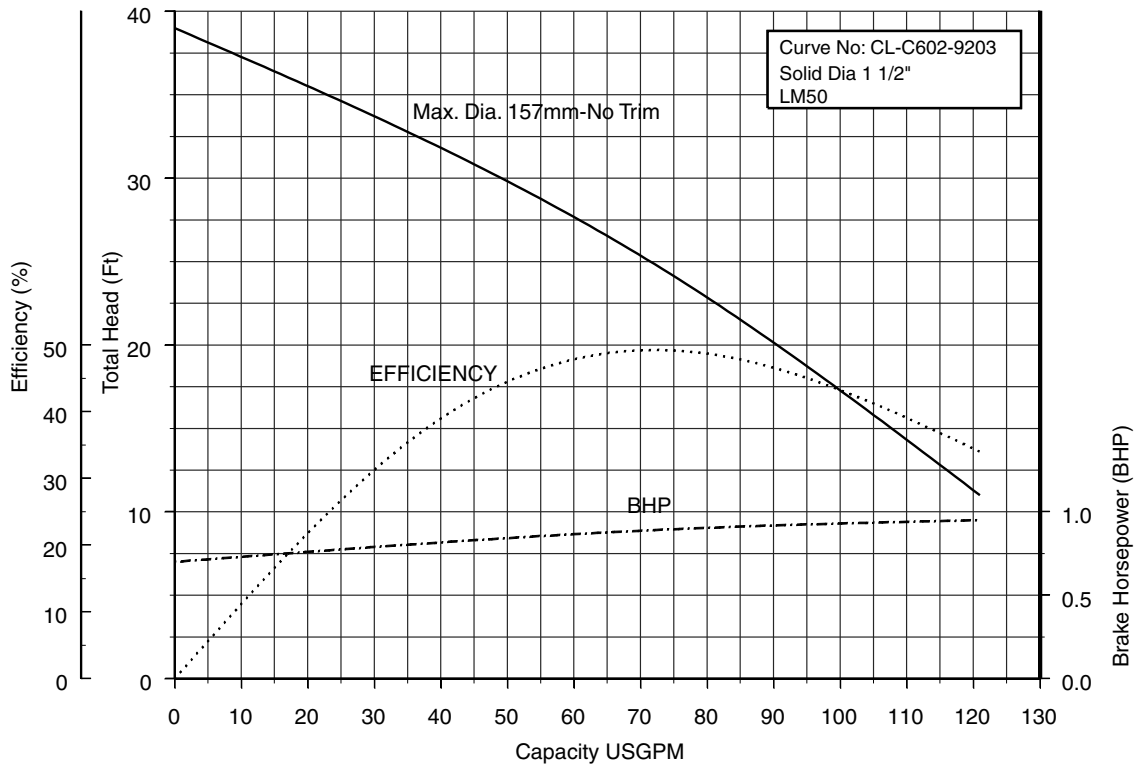
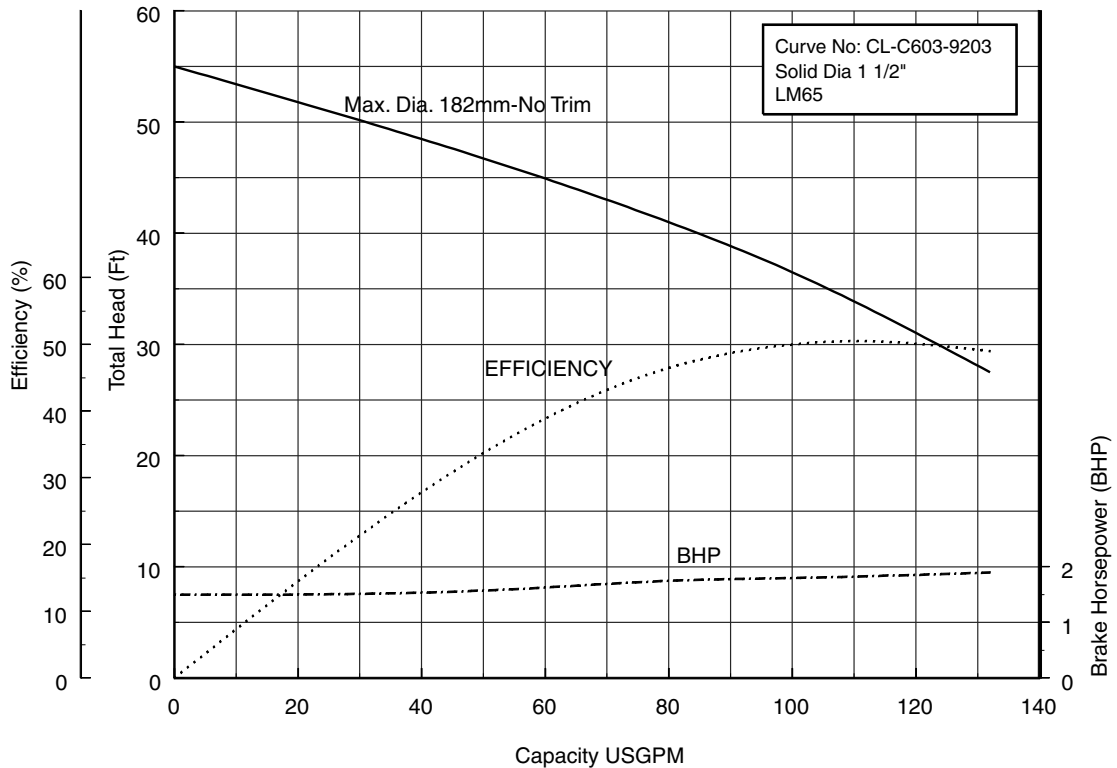
Model CLU
EBARA PRO Cast Sewage Pumps
Model Designation


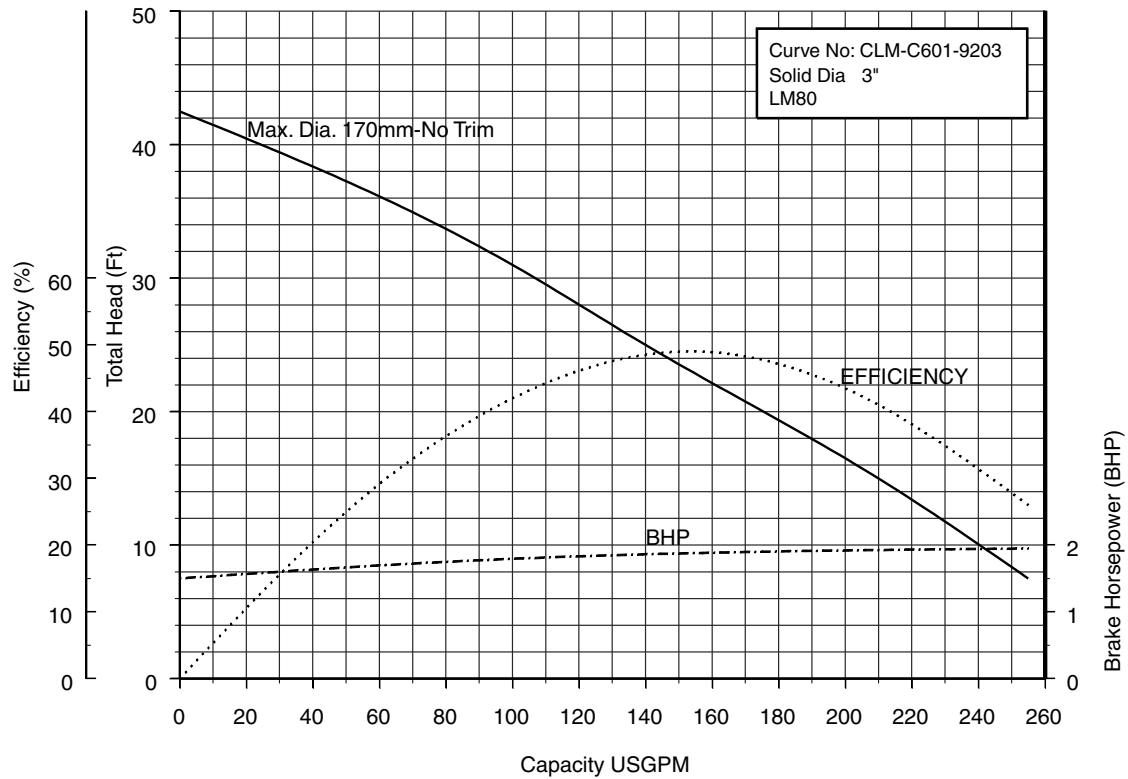
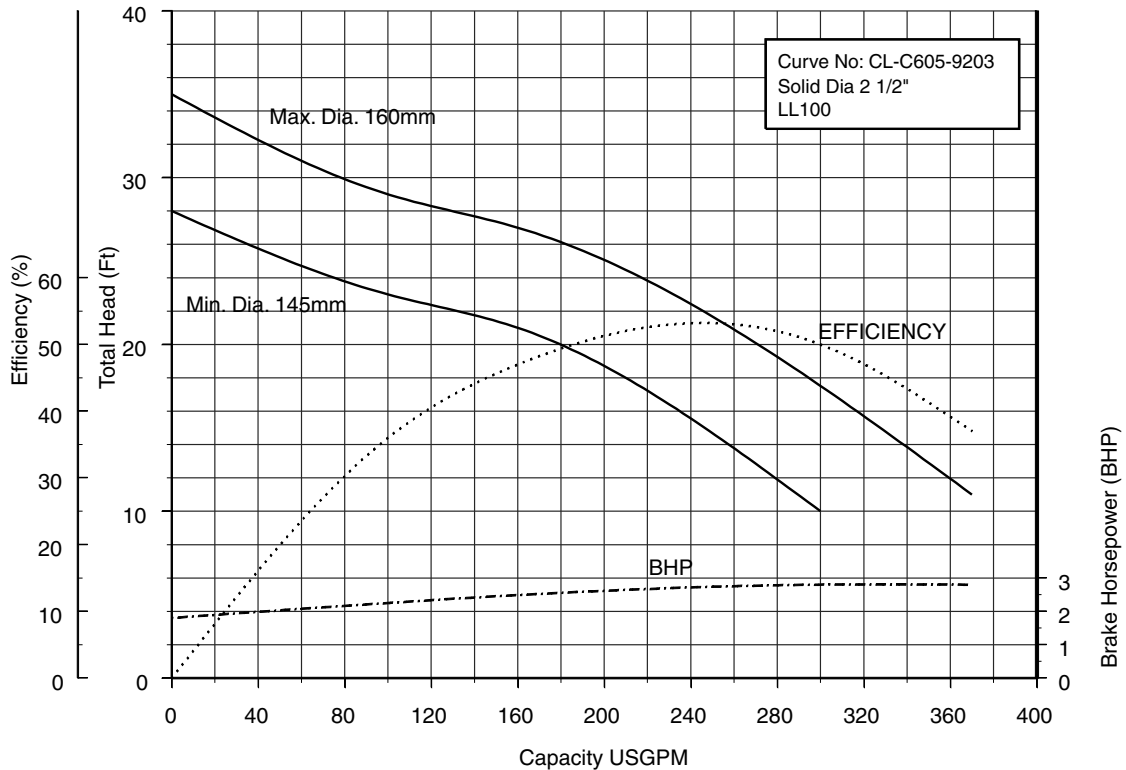
Specifications

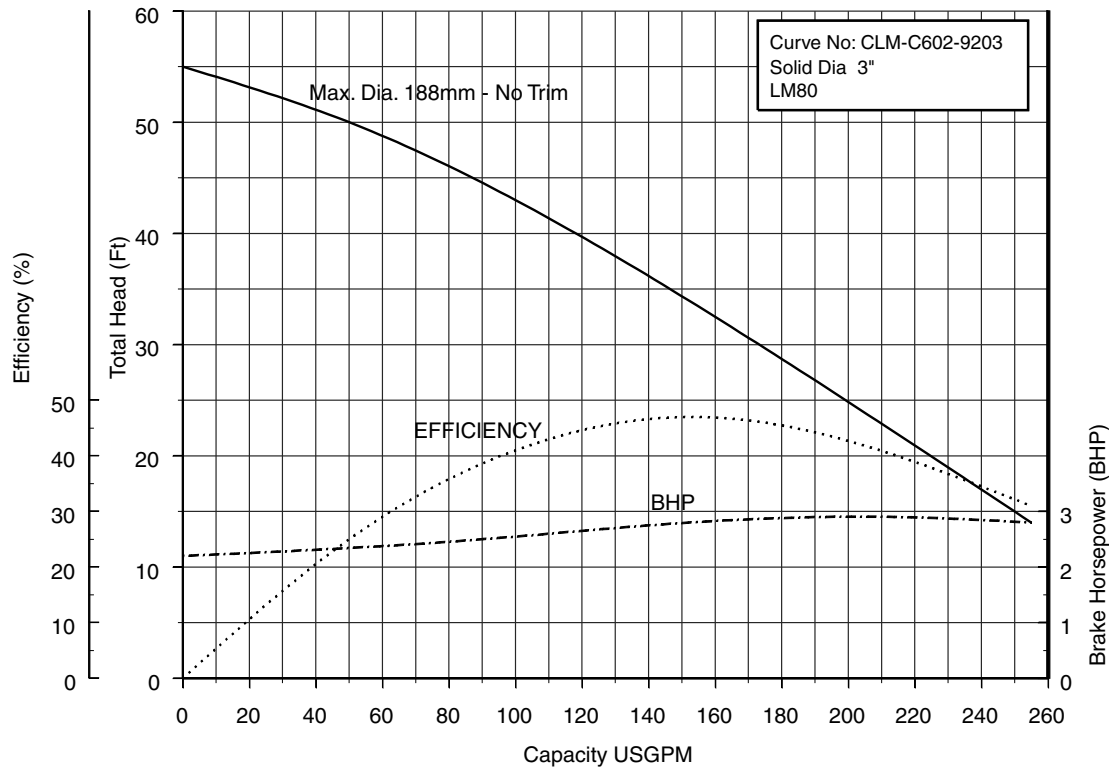
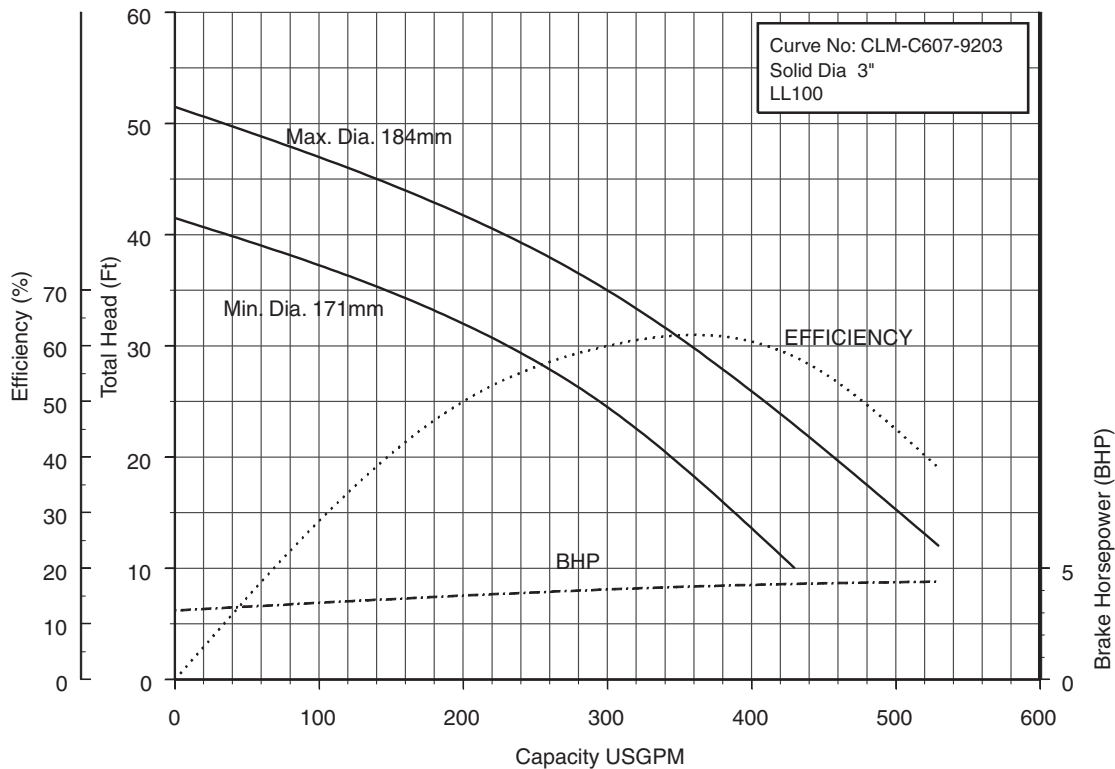
	Standard	Optional
Size	2, 3, 4 inch	
Range of HP	1 to 2 HP Three Phase 1 to 5 HP Single Phase 2.5 HP available in FM (CF)	
Range of Performance	Capacity 13 to 430 GPM Head 9 to 66 feet	
Limitation Maximum Water Temperature	104°F (40°C) for 3 to 5 HP	
Synchronous Speed	1800 RPM	
Materials Casing Impeller Shaft Motor Frame Fastener	Cast Iron Cast Iron 403 Stainless Steel Cast Iron 304 Stainless Steel	
Mechanical Seal Material – Upper Side Material – Lower Side Impeller Type Bearing Motor Single Phase Three Phase Service Factor Motor Protection Single Phase Three Phase Accessories	Double Mechanical Seal Carbon/Ceramic Silicon Carbide/Silicon Carbide Semi-open Prelubricated Ball Bearing Air-filled, Insulation Class F 208/230V 208/230/460V 1.15 Built-in Auto Cut - overload, out of phase, single phasing protection Submersible cable 33 ft.	66 ft. QDC System

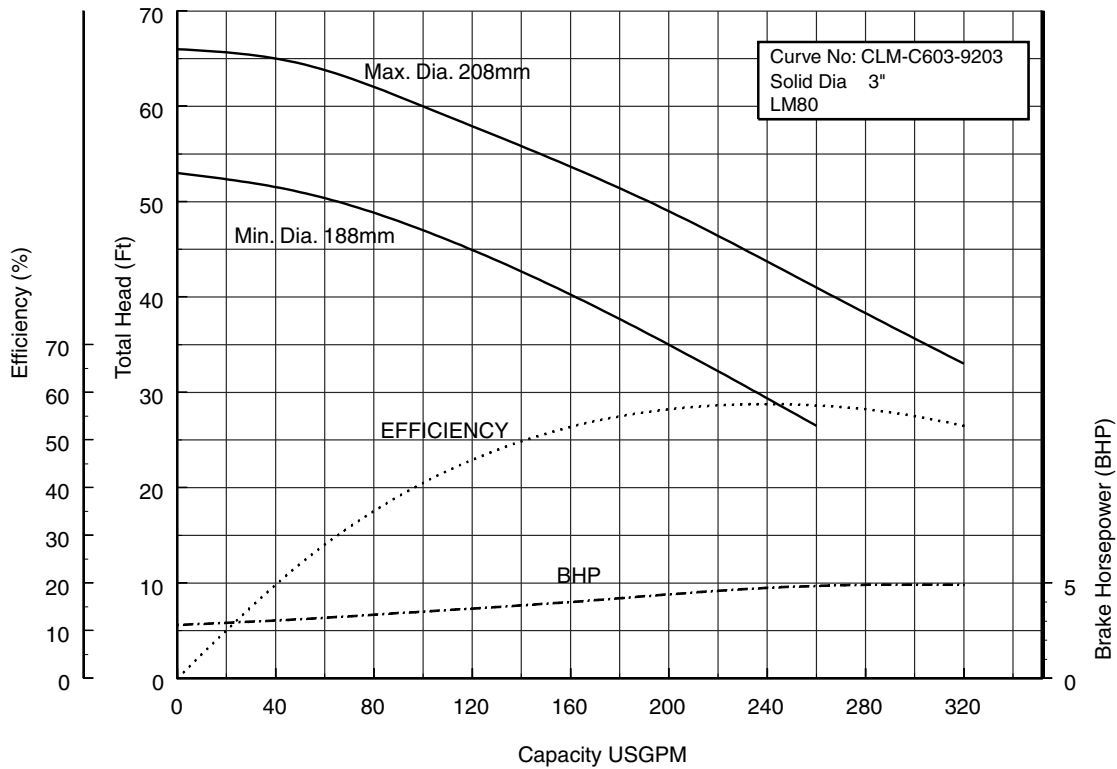
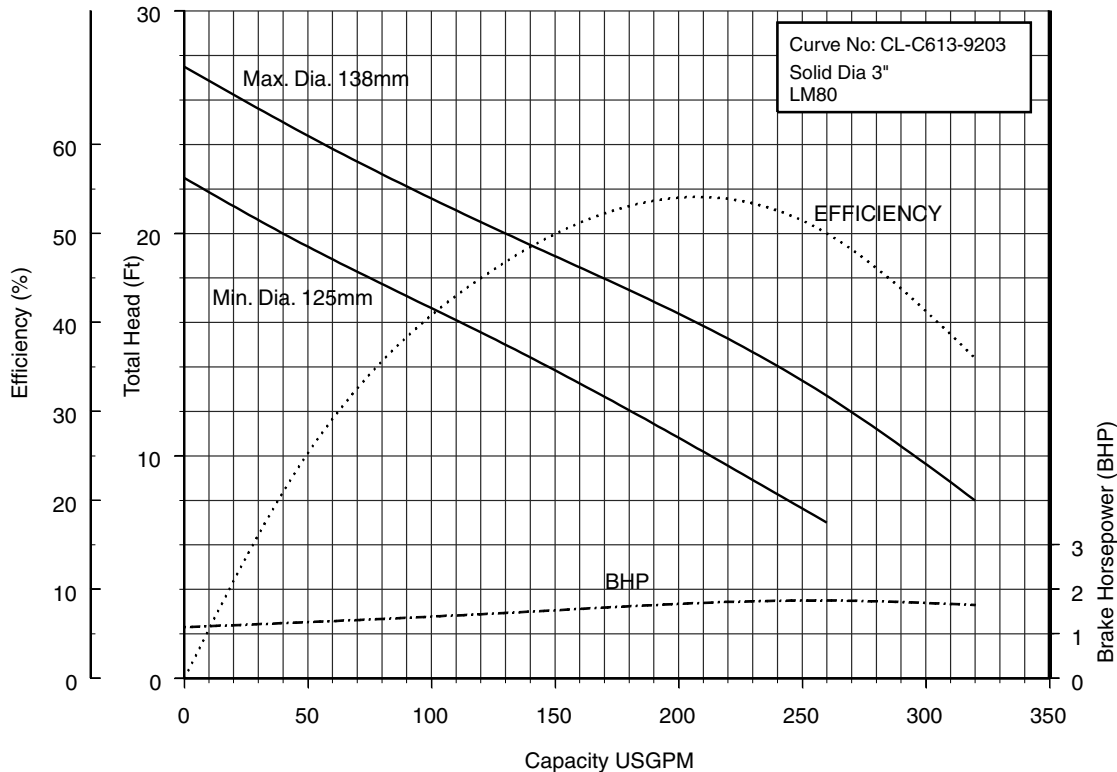


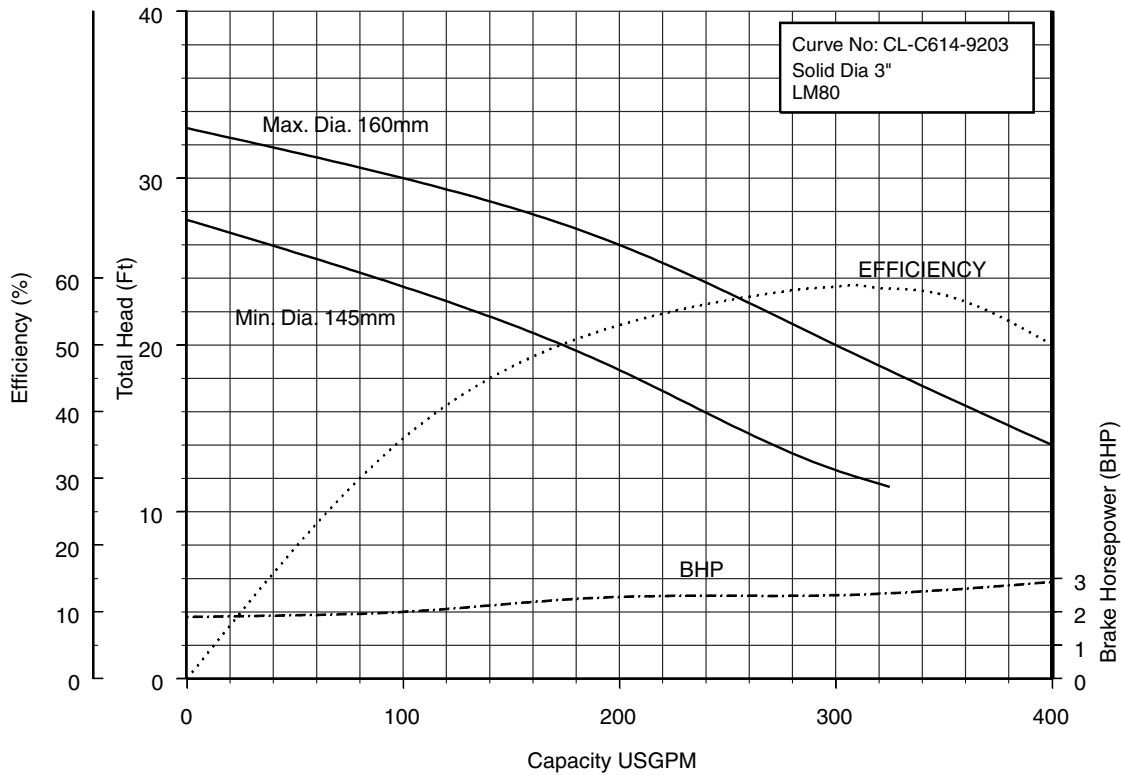
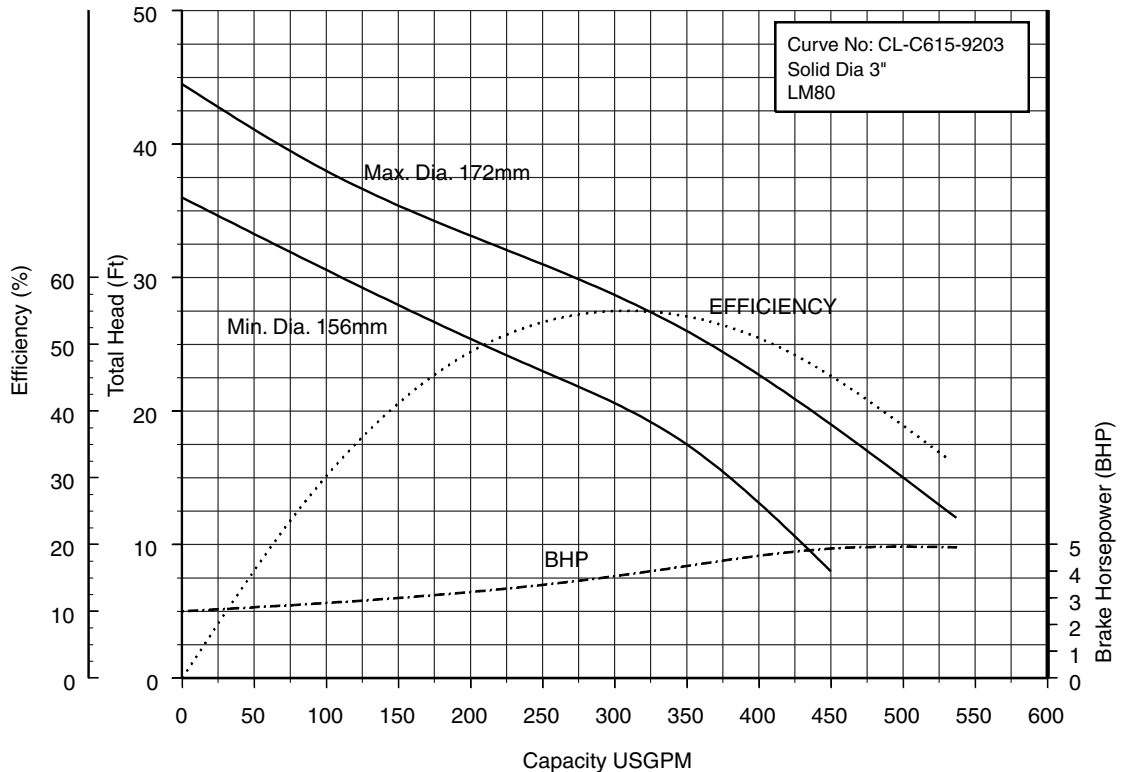
- 1 80CLU62.2S 3HP
- 2 80CLMU61.5 2HP
- 3 80CLMU62.2S 3HP

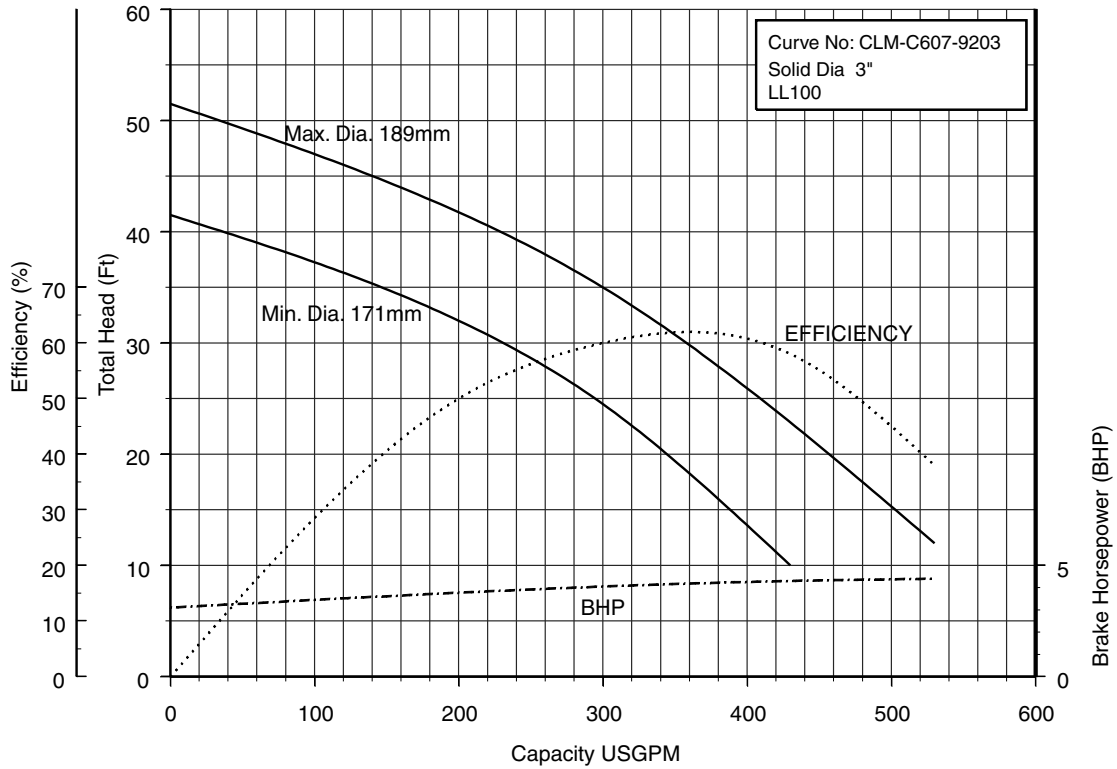
50CL6.75S 50CL6.75 (1HP) Synchronous Speed: 1800 RPM
2 inch Discharge

50CL61.5S 50CL61.5 (2HP) Synchronous Speed: 1800 RPM
2, 3 inch Discharge


80CLM61.5S 80CLM61.5 (2HP) Synchronous Speed: 1800 RPM 3, 4 inch Discharge

80CL62.2S (3HP) Synchronous Speed: 1800 RPM
3, 4 inch Discharge


80CLM62.2S (3HP) Synchronous Speed: 1800 RPM
3, 4 inch Discharge

80CL63.7S (5HP) Synchronous Speed: 1800 RPM
3, 4 inch Discharge


80CLM63.7S (5HP) Synchronous Speed: 1800 RPM
3, 4 inch Discharge

100CL61.5S 100CL61.5 (2HP) Synchronous Speed: 1800 RPM 3, 4 inch Discharge


100CL62.2S (3HP) Synchronous Speed: 1800 RPM
3, 4 inch Discharge

100CL63.7S (5HP) Synchronous Speed: 1800 RPM
3, 4 inch Discharge


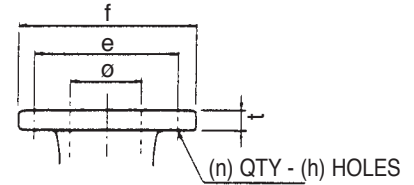
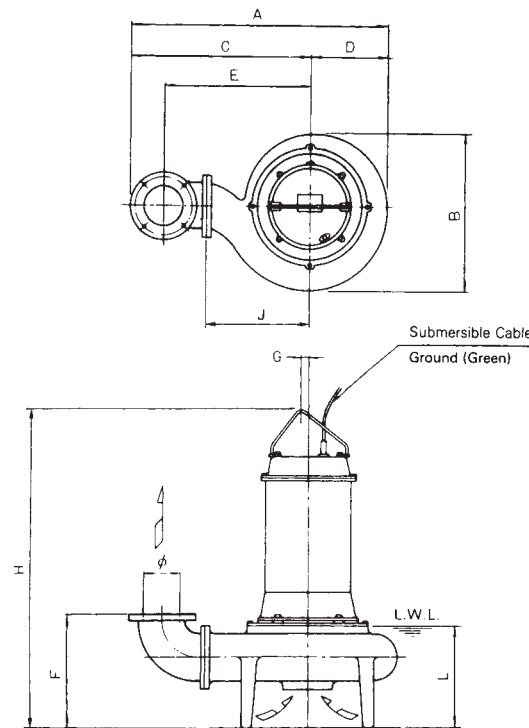


Model CLU
EBARA PRO Cast Sewage Pumps
Dimensions
Model CLU, Single and Three Phase

50CLU, 1 to 2HP

80CLU, 2 to 5 HP

100CLU, 2 to 5HP


Flange (ANSI 125 PSI F.F)

inch					
ø	e	f	t	n	h
2	4 ^{3/4}	6	5/8	4	3/4
3	6	7 ^{1/2}	3/4	4	3/4
4	7 ^{1/2}	9	15/16	8	3/4

mm					
ø	e	f	t	n	h
50	121	152	16	4	19
80	152	191	19	4	19
100	191	229	24	8	19

Dimensions: inch

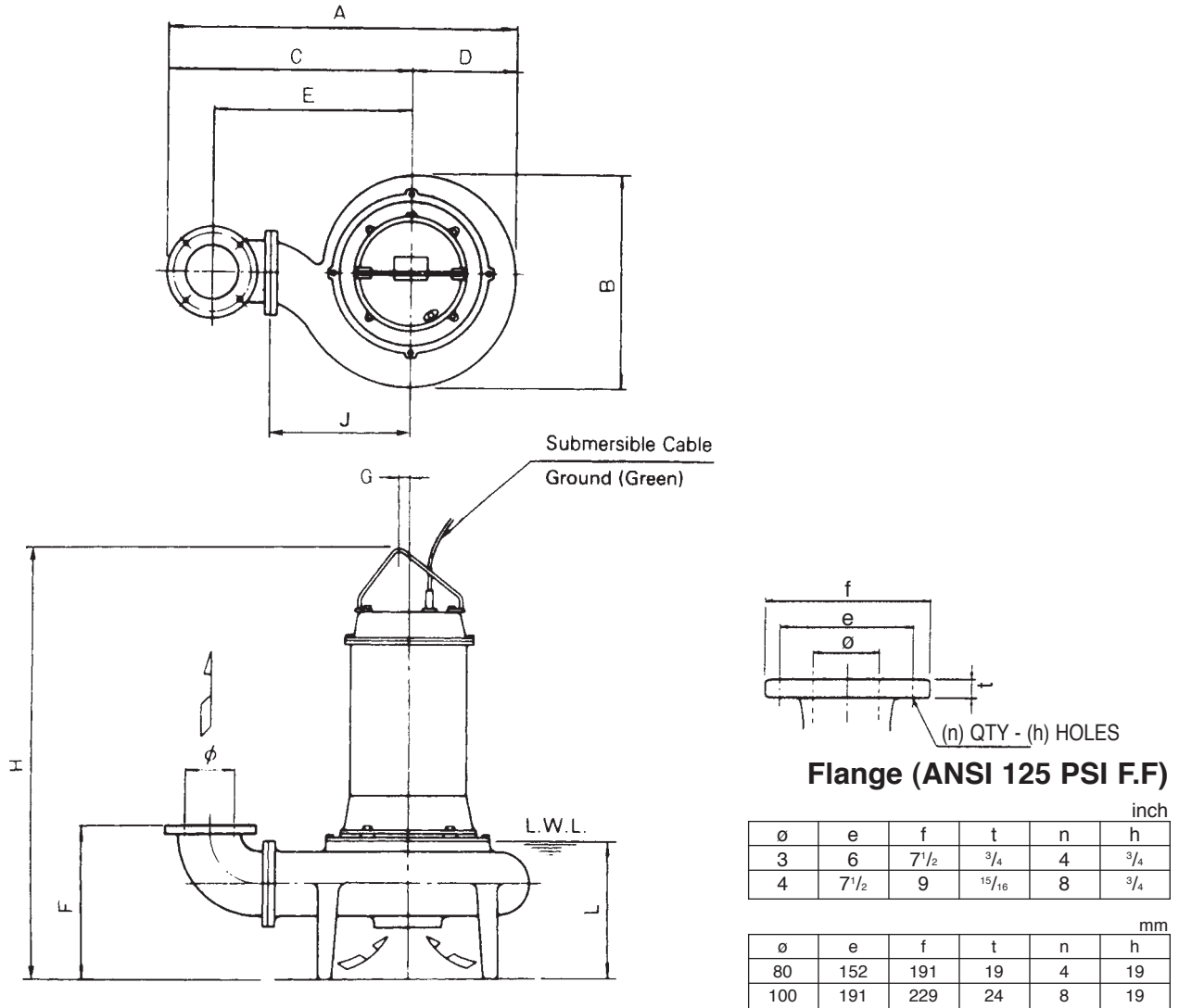
PHASE	SIZE ø	MODEL	OUTPUT		PUMP & MOTOR										WEIGHT Lb
			kW	HP	A	B	C	D	E	F	G	H	J	L	
SINGLE	2	50CLU6.75S	0.75	1	15 ^{1/2}	8 ^{3/4}	11 ^{1/8}	4 ^{5/16}	8 ^{1/16}	6 ^{7/8}	1	21 ^{5/16}	5 ^{7/8}	5 ^{1/2}	77
	2/3	50CLU61.5S	1.5	2	18 ^{3/16}	10 ^{3/16}	12 ^{5/8}	5 ^{1/16}	9 ^{5/8}	7 ^{7/8}	1 ^{3/16}	22 ^{11/16}	7 ^{1/16}	6 ^{5/16}	97
	3/4	80CLU61.5S	1.5	2	20 ^{7/16}	11 ^{1/2}	15	5 ^{3/4}	11 ^{1/4}	8 ^{11/16}	1 ^{3/16}	23 ^{1/2}	8 ^{1/4}	7 ^{1/8}	112
		80CLU62.2S	2.2	3	23 ^{13/16}	13 ^{3/16}	17 ^{3/16}	6 ^{5/8}	13 ^{3/8}	9 ^{13/16}	1 ^{3/16}	28 ^{3/8}	9 ^{1/4}	8 ^{1/8}	170
		80CLU63.7S	3.7	5	23 ^{13/16}	13 ^{3/16}	17 ^{3/16}	6 ^{5/8}	13 ^{3/8}	9 ^{13/16}	1 ^{3/16}	30 ^{3/16}	9 ^{1/4}	8 ^{1/8}	176
		100CLU61.5S	1.5	2	21 ^{13/16}	10 ^{1/2}	16 ^{9/16}	5 ^{1/4}	12	10 ^{13/16}	1 ^{3/16}	24 ^{15/16}	7 ^{7/8}	8 ^{9/16}	134
		100CLU62.2S	2.2	3	22 ^{7/8}	11 ^{1/8}	17 ^{3/16}	5 ^{9/16}	12 ^{13/16}	10 ^{13/16}	1	28 ^{15/16}	8 ^{11/16}	8 ^{11/16}	159
		100CLU63.7S	3.7	5	22 ^{7/8}	11 ^{1/8}	17 ^{3/16}	5 ^{9/16}	12 ^{13/16}	10 ^{13/16}	1	30 ^{3/4}	8 ^{11/16}	8 ^{11/16}	183
100CLMU63.7S	3.7	5	24 ^{9/16}	13 ^{3/16}	17 ^{15/16}	6 ^{5/8}	13 ^{3/8}	9 ^{13/16}	5/16	31 ^{13/16}	9 ^{1/4}	8 ^{1/16}	209		
THREE	2	50CLU6.75	0.75	1	15 ^{1/2}	8 ^{3/4}	11 ^{1/8}	4 ^{5/16}	8 ^{1/16}	6 ^{7/8}	1	22 ^{1/16}	5 ^{1/2}	5 ^{1/2}	73
	2/3	50CLU61.5	1.5	2	18 ^{3/16}	10 ^{3/16}	12 ^{5/8}	5 ^{1/16}	9 ^{5/8}	7 ^{7/8}	1 ^{3/16}	26 ^{1/16}	7 ^{1/16}	6 ^{5/16}	106
	3/4	80CLU61.5	1.5	2	20 ^{7/16}	11 ^{1/2}	15	5 ^{3/4}	11 ^{1/4}	8 ^{11/16}	1 ^{3/16}	26 ^{7/8}	8 ^{1/4}	7 ^{1/8}	121
		100CLU61.5	1.5	2	21 ^{13/16}	10 ^{1/2}	16 ^{9/16}	5 ^{1/4}	12	10 ^{13/16}	1 ^{3/16}	28 ^{5/16}	7 ^{7/8}	8 ^{9/16}	143

Dimensions: mm

PHASE	SIZE ø	MODEL	OUTPUT		PUMP & MOTOR										WEIGHT kg
			kW	HP	A	B	C	D	E	F	G	H	J	L	
SINGLE	50	50CLU6.75S	0.75	1	393	222	283	110	205	175	25	542	150	140	35
	50/80	50CLU61.5S	1.5	2	462	258	321	129	245	200	20	576	180	160	44
		80CLU61.5S	1.5	2	519	292	381	146	285	220	20	597	210	181	51
	80/100	80CLU62.2S	2.2	3	605	335	436	169	340	250	20	721	235	206	77
		80CLU63.7S	3.7	5	605	335	436	169	340	250	20	767	235	206	80
		100CLU61.5S	1.5	2	554	267	420	134	305	275	20	633	200	217	61
		100CLU62.2S	2.2	3	581	282	440	141	325	275	25	735	220	220	72
		100CLU63.7S	3.7	5	581	282	440	141	325	275	25	781	220	220	83
100CLMU63.7S		3.7	5	624	335	455	169	340	250	8	808	235	205	95	
THREE	50	50CLU6.75	0.75	1	393	222	283	110	205	175	25	561	140	140	33
	50/80	50CLU61.5	1.5	2	462	258	321	129	245	200	20	662	180	160	48
		80CLU61.5	1.5	2	519	292	381	146	285	220	20	683	210	181	55
	80/100	100CLU61.5	1.5	2	554	267	420	134	305	275	20	719	200	217	65

Model CLU
EBARA PRO Cast Sewage Pumps
Dimensions
Model CLU, Single and Three Phase

80CLMU, 2 to 5 HP


Dimensions: inch

PHASE	SIZE ø	MODEL	OUTPUT		PUMP & MOTOR										WEIGHT Lb
			kW	HP	A	B	C	D	E	F	G	H	J	L	
SINGLE	3/4	80CLMU61.5S	1.5	2	20 7/16	11 1/8	14 7/8	5 9/16	11 1/4	8 11/16	13/16	23 1/2	8 1/4	7 1/8	121
		80CLMU62.2S	2.2	3	20 5/8	11 1/2	14 7/8	5 3/4	11 1/4	8 11/16	13/16	27 11/16	8 1/4	7 9/8	148
		80CLMU63.7S	3.7	5	21 5/16	12 1/8	15 1/4	6 1/16	11 5/8	8 11/16	13/16	29 7/16	8 11/16	7 9/8	172
THREE	3/4	80CLMU61.5	1.5	2	20 7/16	11 1/2	14 7/8	5 3/4	11 1/4	8 11/16	13/16	26 7/8	8 1/4	7 1/8	130

Dimensions: mm

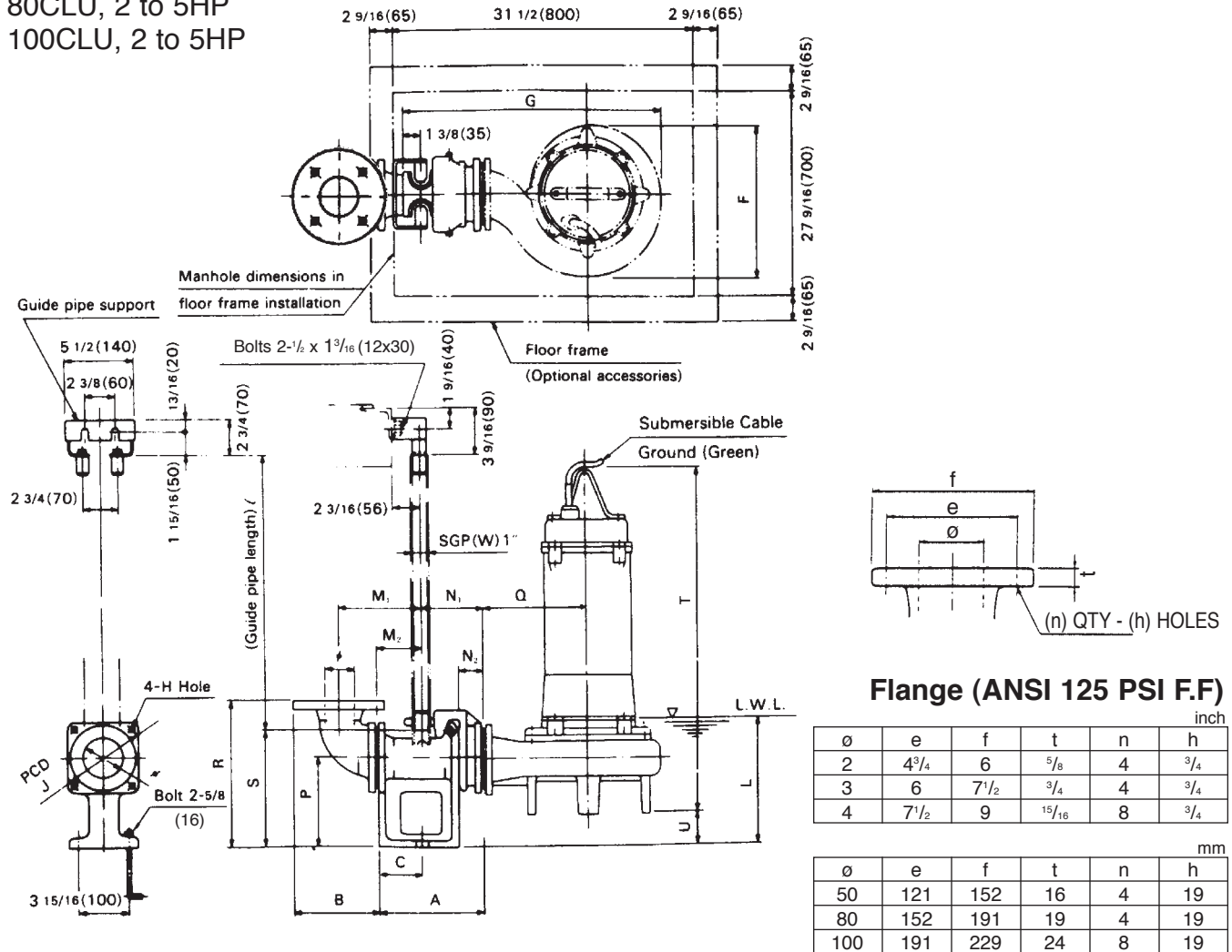
PHASE	SIZE ø	MODEL	OUTPUT		PUMP & MOTOR										WEIGHT kg
			kW	HP	A	B	C	D	E	F	G	H	J	L	
SINGLE	80/100	80CLMU61.5S	1.5	2	519	282	378	141	285	220	20	597	210	181	55
		80CLMU62.2S	2.2	3	524	292	378	146	285	220	20	703	210	188	67
		80CLMU63.7S	3.7	5	542	308	388	154	295	220	20	748	220	187	78
THREE	80/100	80CLMU61.5	1.5	2	519	292	378	146	285	220	20	683	210	181	59

Model CLU
EBARA PRO Cast Sewage Pumps
Dimensions
Model CLU with Quick Discharge Connector

50CLU, 1 to 2HP

80CLU, 2 to 5HP

100CLU, 2 to 5HP


Dimensions: inch

PHASE	SIZE ∅	PUMP MODEL	OUTPUT kW HP	QDC MODEL	QDC											PUMP & MOTOR						WEIGHT Lb			
					A	B	C	H	J	M ₁	M ₂	N ₁	N ₂	P	R	S	F	G	L	Q	T	U	PUMP	QDC	
SINGLE	2	50CLU6.75S	0.75	1	LM50	7 ¹¹ / ₁₆	5 ¹ / ₄	3 ³ / ₈	1 ¹ / ₂	4 ³ / ₄	5 ⁵ / ₁₆	3 ¹ / ₈	4 ¹ / ₂	1 ⁹ / ₁₆	5 ⁵ / ₁₆	9 ¹ / ₁₆	6 ¹ / ₂	8 ³ / ₄	16 ¹ / ₈	7 ¹¹ / ₁₆	5 ⁷ / ₈	21 ⁵ / ₁₆	2 ³ / ₁₆	77	24
	2/3	50CLU61.5S	1.5	2	LM65	8 ⁷ / ₁₆	6	3 ³ / ₄	1 ¹ / ₂	5 ¹ / ₂	6 ⁵ / ₁₆	3 ³ / ₄	4 ³ / ₄	1 ³ / ₄	5 ¹¹ / ₁₆	9 ³ / ₁₆	7 ¹ / ₂	10 ¹⁰ / ₁₆	18 ¹ / ₄	8 ¹ / ₄	7 ¹ / ₁₆	22 ¹¹ / ₁₆	1 ¹⁵ / ₁₆	97	31
	3/4	80CLU61.5S	1.5	2	LM80	8 ⁷ / ₁₆	6 ⁵ / ₈	3 ⁹ / ₁₆	9 ¹ / ₁₆	6 ¹ / ₈	6 ¹ / ₂	3 ⁹ / ₁₆	4 ¹⁵ / ₁₆	1 ¹⁵ / ₁₆	6 ⁷ / ₈	11 ¹ / ₄	9 ¹ / ₁₆	11 ¹ / ₂	20 ¹ / ₈	9 ¹ / ₁₆	8 ¹ / ₄	23 ³ / ₂	2 ⁹ / ₁₆	112	37
		100CLU61.5S	1.5	2	LM80	8 ⁷ / ₁₆	8 ¹ / ₄	3 ⁹ / ₁₆	9 ¹ / ₁₆	6 ¹ / ₈	7 ¹¹ / ₁₆	3 ⁹ / ₁₆	4 ¹⁵ / ₁₆	1 ¹⁵ / ₁₆	6 ⁷ / ₈	11 ¹³ / ₁₆	9 ¹ / ₁₆	10 ¹ / ₂	19 ¹ / ₁₆	9 ¹ / ₂	7 ⁷ / ₈	24 ¹⁵ / ₁₆	1	134	37
		100CLU62.2S	2.2	3	LM80	8 ⁷ / ₁₆	8 ¹ / ₄	3 ⁹ / ₁₆	9 ¹ / ₁₆	6 ¹ / ₈	7 ¹¹ / ₁₆	3 ⁹ / ₁₆	4 ¹⁵ / ₁₆	1 ¹⁵ / ₁₆	6 ⁷ / ₈	11 ¹³ / ₁₆	9 ¹ / ₁₆	11 ¹ / ₂	20 ¹ / ₂	9 ⁵ / ₈	8 ¹ / ₁₆	28 ⁵ / ₁₆	1	159	37
		100CLU63.7S	3.7	5	LM80	8 ⁷ / ₁₆	8 ¹ / ₄	3 ⁹ / ₁₆	9 ¹ / ₁₆	6 ¹ / ₈	7 ¹¹ / ₁₆	3 ⁹ / ₁₆	4 ¹⁵ / ₁₆	1 ¹⁵ / ₁₆	6 ⁷ / ₈	11 ¹³ / ₁₆	9 ¹ / ₁₆	11 ¹ / ₂	20 ¹ / ₂	9 ⁵ / ₈	8 ¹ / ₁₆	30 ³ / ₄	1	183	37

Dimensions: mm

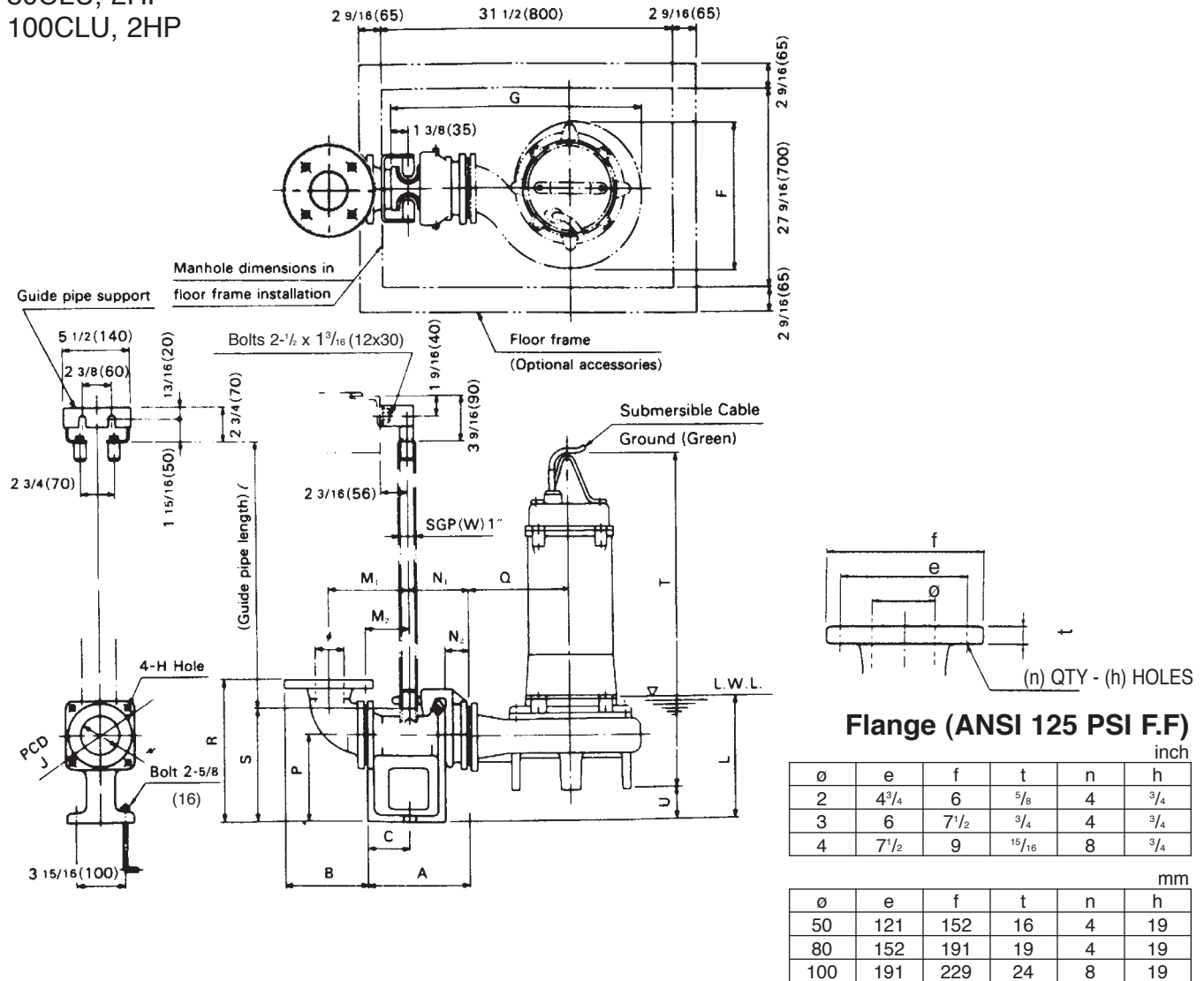
PHASE	SIZE ∅	PUMP MODEL	OUTPUT kW HP	QDC MODEL	QDC											PUMP & MOTOR						WEIGHT kg			
					A	B	C	H	J	M ₁	M ₂	N ₁	N ₂	P	R	S	F	G	L	Q	T	U	PUMP	QDC	
SINGLE	50	50CLU6.75S	0.75	1	LM50	195	133	80	12	120	135	80	115	40	135	230	165	222	410	195	150	542	55	35	11
	50/80	50CLU61.5S	1.5	2	LM65	215	153	95	12	140	160	95	120	45	145	250	190	258	464	210	180	576	50	44	14
	80/100	80CLU61.5S	1.5	2	LM80	215	168	90	15	155	165	90	125	50	175	285	230	292	511	246	210	597	65	51	17
		100CLU61.5S	1.5	2	LM80	215	210	90	15	155	195	90	125	50	175	300	230	267	494	242	200	633	25	61	17
		100CLU62.2S	2.2	3	LM80	215	210	90	15	155	195	90	125	50	175	300	230	282	521	245	220	735	25	72	17
		100CLU63.7S	3.7	5	LM80	215	210	90	15	155	195	90	125	50	175	300	230	282	521	245	220	781	25	83	17

Model CLU
EBARA PRO Cast Sewage Pumps
Dimensions
Model CLU with Quick Discharge Connector

50CLU, 1 to 2HP

80CLU, 2HP

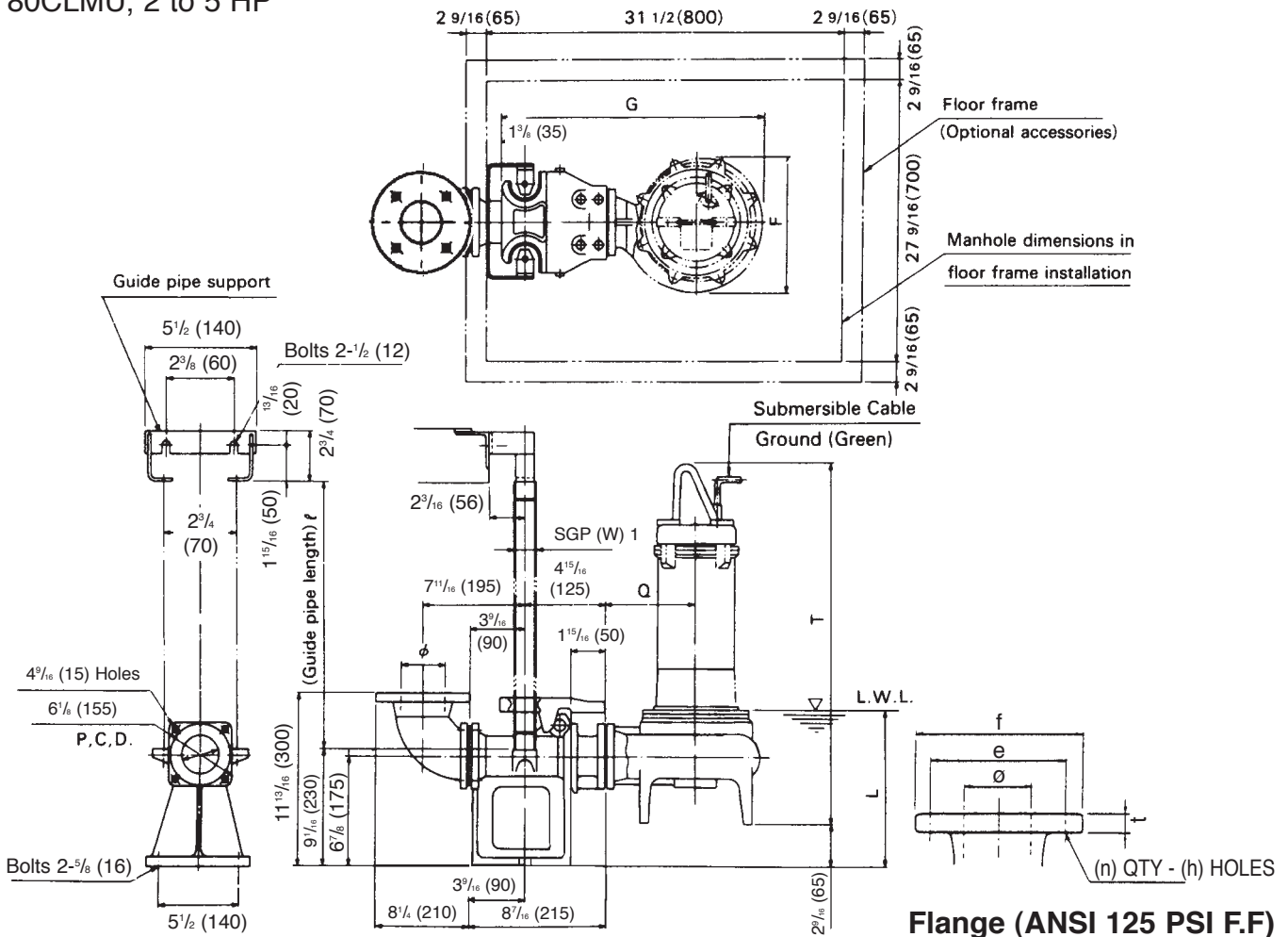
100CLU, 2HP


Dimensions: inch

PHASE	SIZE ø	PUMP MODEL	OUTPUT		QDC MODEL	QDC											PUMP & MOTOR						WEIGHT Lb		
			kW	HP		A	B	C	H	J	M ₁	M ₂	N ₁	N ₂	P	R	S	F	G	L	Q	T	U	PUMP	QDC
SINGLE	2	50CLU6.75	0.75	1	LM50	7 ¹¹ / ₁₆	5 ¹ / ₄	3 ³ / ₈	1 ¹ / ₂	4 ³ / ₄	5 ⁵ / ₁₆	3 ¹ / ₈	4 ¹ / ₂	1 ¹ / ₂	5 ⁵ / ₁₆	9 ¹ / ₁₆	6 ¹ / ₂	8 ³ / ₄	16 ¹ / ₈	7 ¹¹ / ₁₆	5 ⁷ / ₈	22 ¹ / ₁₆	2 ³ / ₁₆	73	24
	2/3	50CLU61.5	1.5	2	LM65	8 ⁷ / ₁₆	6	3 ³ / ₄	1 ¹ / ₂	5 ¹ / ₂	6 ³ / ₁₆	3 ³ / ₄	4 ³ / ₄	1 ³ / ₄	5 ¹¹ / ₁₆	9 ¹³ / ₁₆	7 ¹ / ₂	10 ⁹ / ₁₆	18 ¹ / ₄	8 ¹ / ₄	7 ¹ / ₁₆	26 ¹ / ₁₆	1 ¹⁵ / ₁₆	106	31
	3/4	80CLU61.5	1.5	2	LM80	8 ⁷ / ₁₆	6 ³ / ₈	3 ⁹ / ₁₆	9 ¹ / ₁₆	6 ¹ / ₈	6 ¹ / ₂	3 ⁹ / ₁₆	4 ¹⁵ / ₁₆	1 ¹⁵ / ₁₆	6 ⁷ / ₈	11 ¹ / ₄	9 ¹ / ₁₆	11 ¹ / ₂	20 ⁷ / ₈	9 ¹ / ₁₆	8 ¹ / ₄	26 ⁷ / ₁₆	2 ⁹ / ₁₆	121	37
		100CLU61.5	1.5	2	LM80	8 ⁷ / ₁₆	8 ¹ / ₄	3 ⁹ / ₁₆	9 ¹ / ₁₆	6 ¹ / ₈	7 ¹ / ₁₆	3 ⁹ / ₁₆	4 ¹⁵ / ₁₆	1 ¹⁵ / ₁₆	6 ⁷ / ₈	11 ¹³ / ₁₆	9 ¹ / ₁₆	10 ¹ / ₂	19 ¹ / ₁₆	9 ¹ / ₂	7 ⁷ / ₈	28 ⁵ / ₁₆	1	143	37

Dimensions: mm

PHASE	SIZE ø	PUMP MODEL	OUTPUT		QDC MODEL	QDC											PUMP & MOTOR						WEIGHT kg		
			kW	HP		A	B	C	H	J	M ₁	M ₂	N ₁	N ₂	P	R	S	F	G	L	Q	T	U	PUMP	QDC
THREE	50	50CLU6.75	0.75	1	LM50	195	133	80	12	120	135	80	115	40	135	230	165	222	410	195	150	561	55	33	11
	50/80	50CLU61.5	1.5	2	LM65	215	153	95	12	140	160	95	120	45	145	250	190	258	464	210	180	662	50	48	14
	80/100	80CLU61.5	1.5	2	LM80	215	168	90	15	155	165	90	125	50	175	285	230	292	511	246	210	683	65	55	17
		100CLU61.5	1.5	2	LM80	215	210	90	15	155	195	90	125	50	175	300	230	267	494	242	200	719	25	65	17

Model CLU
EBARA PRO Cast Sewage Pumps
Dimensions
Model CLU with Quick Discharge Connector, Single and Three Phase
80CLMU, 2 to 5 HP

Flange (ANSI 125 PSI F.F)

ϕ	e	f	t	n	h
3	6	7 1/2	3/4	4	3/4
4	7 1/2	9	15/16	8	3/4

mm					
ϕ	e	f	t	n	h
80	152	191	19	4	19
100	191	229	24	8	19

Dimensions: inch

PHASE	SIZE ϕ	PUMP MODEL	OUTPUT		QDC MODEL	PUMP & MOTOR					WEIGHT Lb	
			kW	HP		F	G	L	Q	T	PUMP	QDC
SINGLE	3/4	80CLMU61.5S	1.5	2	LM80	11 1/8	20 1/8	9 11/16	8 1/4	23 1/2	121	37
		80CLMU62.2S	2.2	3	LM80	11 1/2	20 5/16	9 15/16	8 1/4	27 11/16	148	37
		80CLMU63.7S	3.7	5	LM80	12 1/8	21	9 15/16	8 11/16	29 7/16	172	37
THREE	3/4	80CLMU61.5	1.5	2	LM80	11 1/8	20 1/8	9 11/16	8 1/4	26 7/8	130	37

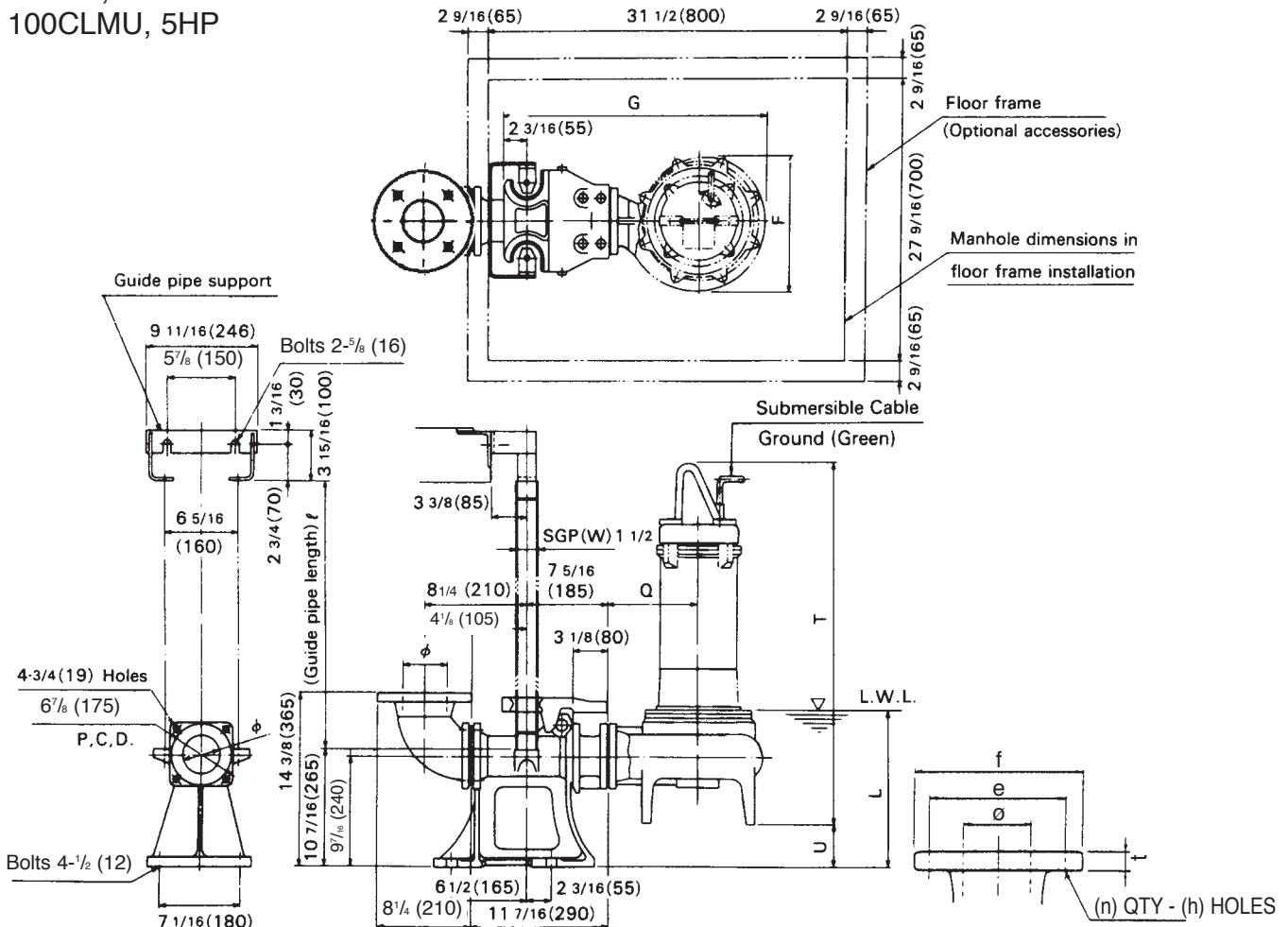
Dimensions: mm

PHASE	SIZE ϕ	PUMP MODEL	OUTPUT		QDC MODEL	PUMP & MOTOR					WEIGHT kg	
			kW	HP		F	G	L	Q	T	PUMP	QDC
SINGLE	80/100	80CLMU61.5S	1.5	2	LM80	282	511	246	210	597	55	17
		80CLMU62.2S	2.2	3	LM80	292	516	253	210	703	67	17
		80CLMU63.7S	3.7	5	LM80	308	534	252	220	748	78	17
THREE	80/100	80CLMU61.5	1.5	2	LM80	282	511	246	210	683	59	17

Model CLU
EBARA PRO Cast Sewage Pumps
Dimensions
Model CLU with Quick Discharge Connector, Single Phase

80CLU, 3 to 5HP

100CLMU, 5HP


Flange (ANSI 125 PSI F.F)

inch					
ø	e	f	t	n	h
3	6	7 1/2	3/4	4	3/4
4	7 1/2	9	15/16	8	3/4

mm					
ø	e	f	t	n	h
80	152	191	19	4	19
100	191	229	24	8	19

Dimensions: inch

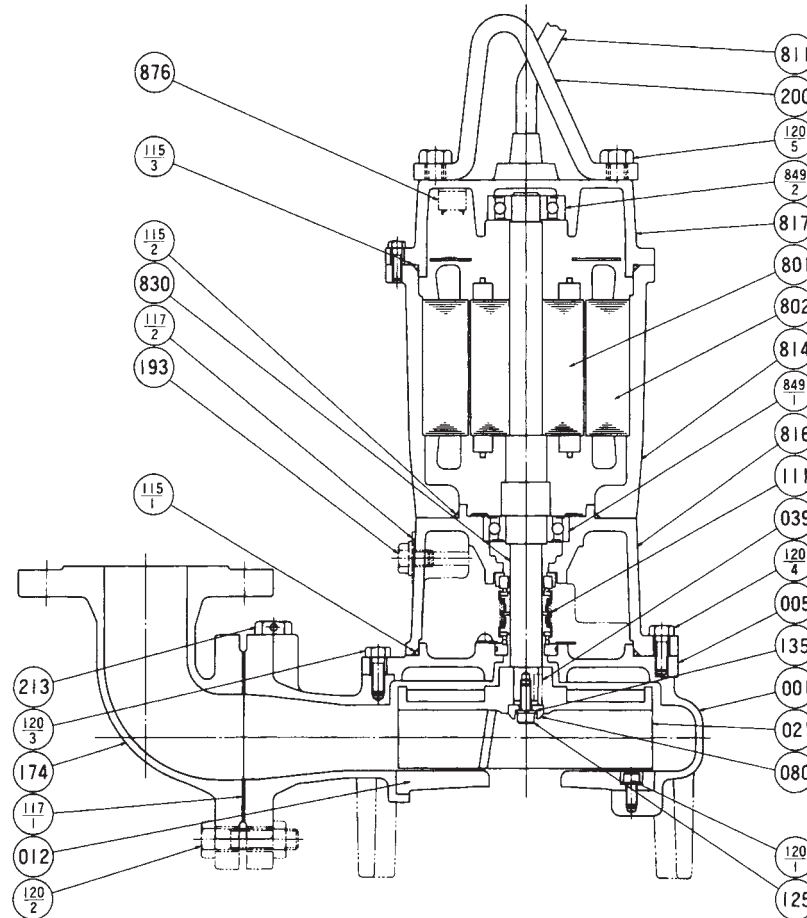
PHASE	SIZE ø	PUMP MODEL	OUTPUT		QDC MODEL	PUMP & MOTOR						WEIGHT Lb	
			kW	HP		F	G	L	Q	T	U	PUMP	QDC
SINGLE	3/4	80DLU62.2S	2.2	3	LL100	13 3/16	25 3/8	12 5/8	9 1/4	28 3/8	4 1/2	170	101
		80DLU63.7S	3.7	5	LL100	13 3/16	25 3/8	12 5/8	9 1/4	30 3/16	4 1/2	177	101
	3/4	100DLMU63.7S	3.7	5	LL100	13 3/16	25 3/8	12 5/8	9 1/4	36 5/16	4 1/2	209	101

Dimensions: mm

PHASE	SIZE ø	PUMP MODEL	OUTPUT		QDC MODEL	PUMP & MOTOR						WEIGHT kg	
			kW	HP		F	G	L	Q	T	U	PUMP	QDC
SINGLE	80/100	80DLU62.2S	2.2	3	LL100	335	644	321	235	721	115	77	46
		80DLU63.7S	3.7	5	LL100	335	644	321	235	767	115	80	46
	80/100	100DLMU63.7S	3.7	5	LL100	335	644	320	235	923	115	95	46

Model CLU
EBARA PRO Cast Sewage Pumps
Sectional View
Single Phase

1 to 5HP



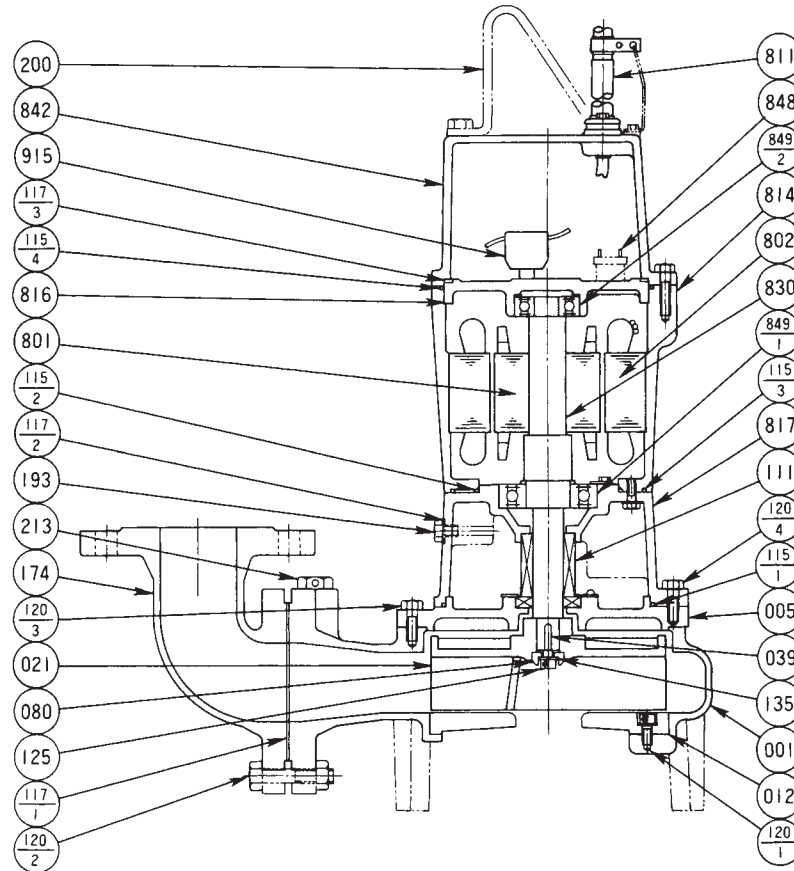
PART NO.	PART NAME	MATERIAL	ASTM, AISI CODE	NO. FOR 1 UNIT	PART NO.	PART NAME	MATERIAL	ASTM, AISI CODE	NO. FOR 1 UNIT
001	CASING	CAST IRON	A48 Class 30	1	125	BOLT	304 STAINLESS	AISI304	1
005	INTERMEDIATE CASING	CAST IRON	A48 Class 30	1	135	WASHER	304 STAINLESS	AISI304	1
012	SUCTION COVER	CAST IRON	A48 Class 30	1	174	DISCHARGE ELBOW	CAST IRON	A48 Class 30	1
021	IMPELLER	CAST IRON	A48 Class 30	1	193	OIL PLUG	316 STAINLESS	AISI316	1
039	KEY	420 STAINLESS	AISI420	1	200	LIFTING HANGER	STEEL	A283 Grade D	1
080	BUSHING	STEEL	A283 Grade D	1	213	AIR VENT VALVE	BRASS	B36 NO. 272	1
†111	MECHANICAL SEAL	—		1 SET	801	ROTOR	—		1
†115-1	O-RING	RUBBER (NBR)		1	802	STATOR	—		1
†115-2	O-RING	RUBBER (NBR)		1	811	SUBMERSIBLE CABLE	—		1
†115-3	O-RING	RUBBER (NBR)		1	814	MOTOR FRAME	CAST IRON	A48 Class 30	1
†117-1	GASKET			1	816	BRACKET	CAST IRON	A48 Class 30	1
†117-2	GASKET			1	817	BRACKET	CAST IRON	A48 Class 30	1
120-1	BOLT	304 STAINLESS	AISI304	3 or 4	830	SHAFT	403 STAINLESS	AISI403	1
120-2	BOLT	304 STAINLESS	AISI304	4	†849-1	BALL BEARING	—		1
120-3	BOLT	304 STAINLESS	AISI304	4 or 8	†849-2	BALL BEARING	—		1
120-4	BOLT	304 STAINLESS	AISI304	4	876	MOTOR PROTECTOR	—		1
120-5	BOLT	304 STAINLESS	AISI304	2					

Motors are purchased as a complete unit.

†: Recommended spare parts.

Model CLU
EBARA PRO Cast Sewage Pumps
Sectional View
Three Phase

1 to 2HP



PART NO.	PART NAME	MATERIAL	ASTM, AISI CODE	NO. FOR 1 UNIT
001	CASING	CAST IRON	A48 Class 30	1
005	INTERMEDIATE CASING	CAST IRON	A48 Class 30	1
012	SUCTION COVER	CAST IRON	A48 Class 30	1
021	IMPELLER	CAST IRON	A48 Class 30	1
039	KEY	420 STAINLESS	AISI420	1
080	BUSHING	STEEL	A283 Grade D	1
†111	MECHANICAL SEAL	—		1 SET
†115-1	O-RING	RUBBER (NBR)		1
†115-2	O-RING	RUBBER (NBR)		1
†115-3	O-RING	RUBBER (NBR)		1
†115-4	O-RING	RUBBER (NBR)		1
†117-1	GASKET			1
†117-2	GASKET			1
†117-3	GASKET	RUBBER (NBR)		1
120-1	BOLT	304 STAINLESS	AISI304	3 or 4
120-2	BOLT	304 STAINLESS	AISI304	4
120-3	BOLT	304 STAINLESS	AISI304	4 or 8
120-4	BOLT	304 STAINLESS	AISI304	4

PART NO.	PART NAME	MATERIAL	ASTM, AISI CODE	NO. FOR 1 UNIT
125	BOLT	304 STAINLESS	AISI304	1
135	WASHER	304 STAINLESS	AISI304	1
174	DISCHARGE ELBOW	CAST IRON	A48 Class 30	1
193	OIL PLUG	316 STAINLESS	AISI316	1
200	LIFTING HANGER	STEEL	A283 Grade D	1
213	AIR VENT VALVE	BRASS	B36 NO. 272	1
801	ROTOR	—		1
802	STATOR	—		1
811	SUBMERSIBLE CABLE	—		1
814	MOTOR FRAME	CAST IRON	A48 Class 30	1
816	BRACKET	CAST IRON	A48 Class 30	1
817	BRACKET	CAST IRON	A48 Class 30	1
830	SHAFT	403 STAINLESS	AISI403	1
842	MOTOR COVER	CAST IRON	A48 Class 30	1
848	MOTOR PROTECTOR	—		1
†849-1	BALL BEARING	—		1
†849-2	BALL BEARING	—		1
915	EXTERNAL TERMINAL	—		1

Motors are purchased as a complete unit.

Parts No. 115-2 is not installed for 2HP

Parts No. 117-3 is not installed for 1HP

†: Recommended spare parts.