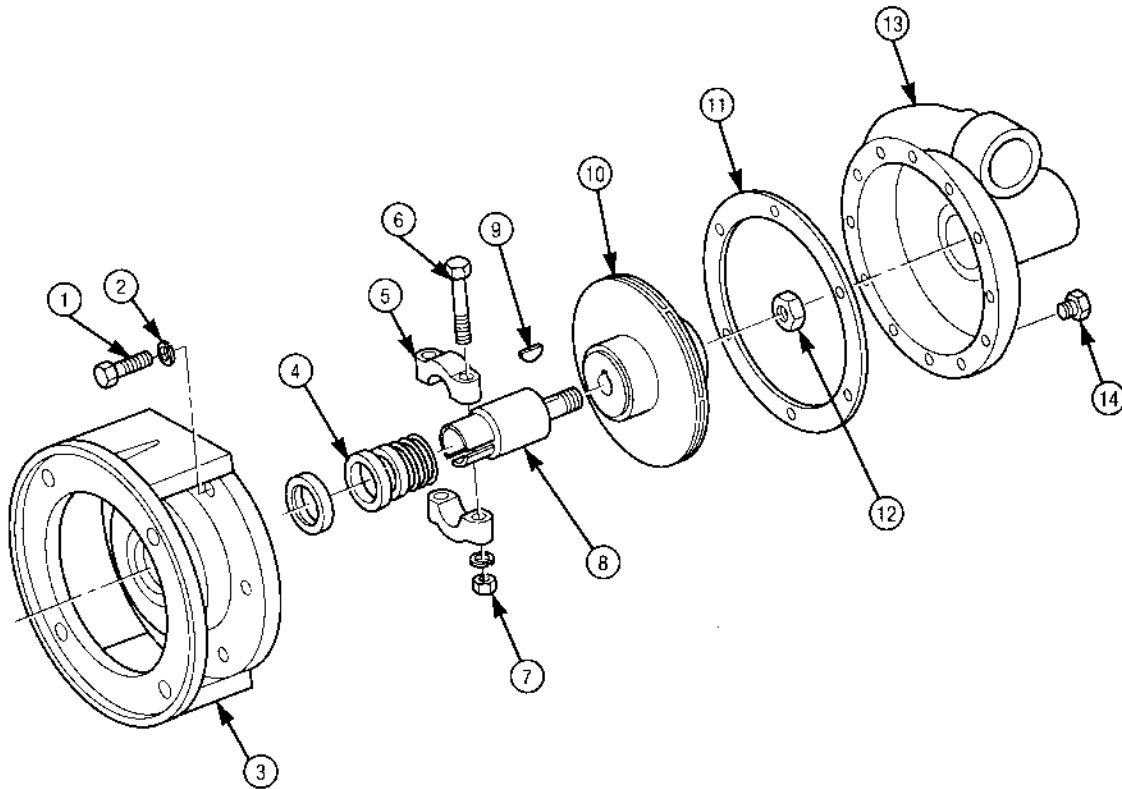


MP PUMPS SERVICE PARTS LIST

- End Suction
- Electric Motor Drive 182TC-184TC
- Pumpak
- Mechanical Seal

SERIES 120
2" x 1 1/2" Pipe Size



| ITEM | PART NO. | DESCRIPTION | QTY. | ITEM | PART NO. | DESCRIPTION | QTY. |
|------|----------|--------------------------------|------|------|----------|----------------------------------|------|
| 1 | 21291 | Capscrew — Stainless Steel | 6 | 9 | 21762 | Wpodruff Key Stainless Steel | 1 |
| 2 | 21266 | Lockwasher — Stainless Steel | 8 | 10 | 27027 | Impeller — 6.0 DIA. — Cast Iron | 1 |
| 3 | 22433 | Adaptor — Cast Iron | 1 | | 26760 | Impeller — 6.0 DIA. — Bronze N/S | 1 |
| | 22432 | Adaptor — Bronze N/S | 1 | 11 | 25662 | Gasket | 1 |
| 4 | 22361 | Service Seal | 1 | 12 | 22655 | Hex Jam Nut Stainless Steel | 1 |
| 5 | 22356 | Clamp | 2 | 13 | 26587 | Housing — Ductile Iron | 1 |
| 6 | 21269 | Capscrew — Stainless Steel | 2 | | 26612 | Housing — Bronze N/S | 1 |
| 7 | 21268 | Hexnut — Stainless Steel | 2 | 14 | 21585 | Pipe Plug 1/8 N.P.T. | 2 |
| 8 | 22679 | Drive Sleeve — Stainless Steel | 1 | 15 | 27666 | Shim Steel — (28GA.) N/S | 1 |



MP PUMPS, INC.

34800 BENNETT • FRASER, MI 48026-1686
 (586) 293-8240 • FAX (586) 293-8469
 (800) 563-8006 • www.mppumps.com

FORM 3045

PRINTED IN U.S.A. (1-97)