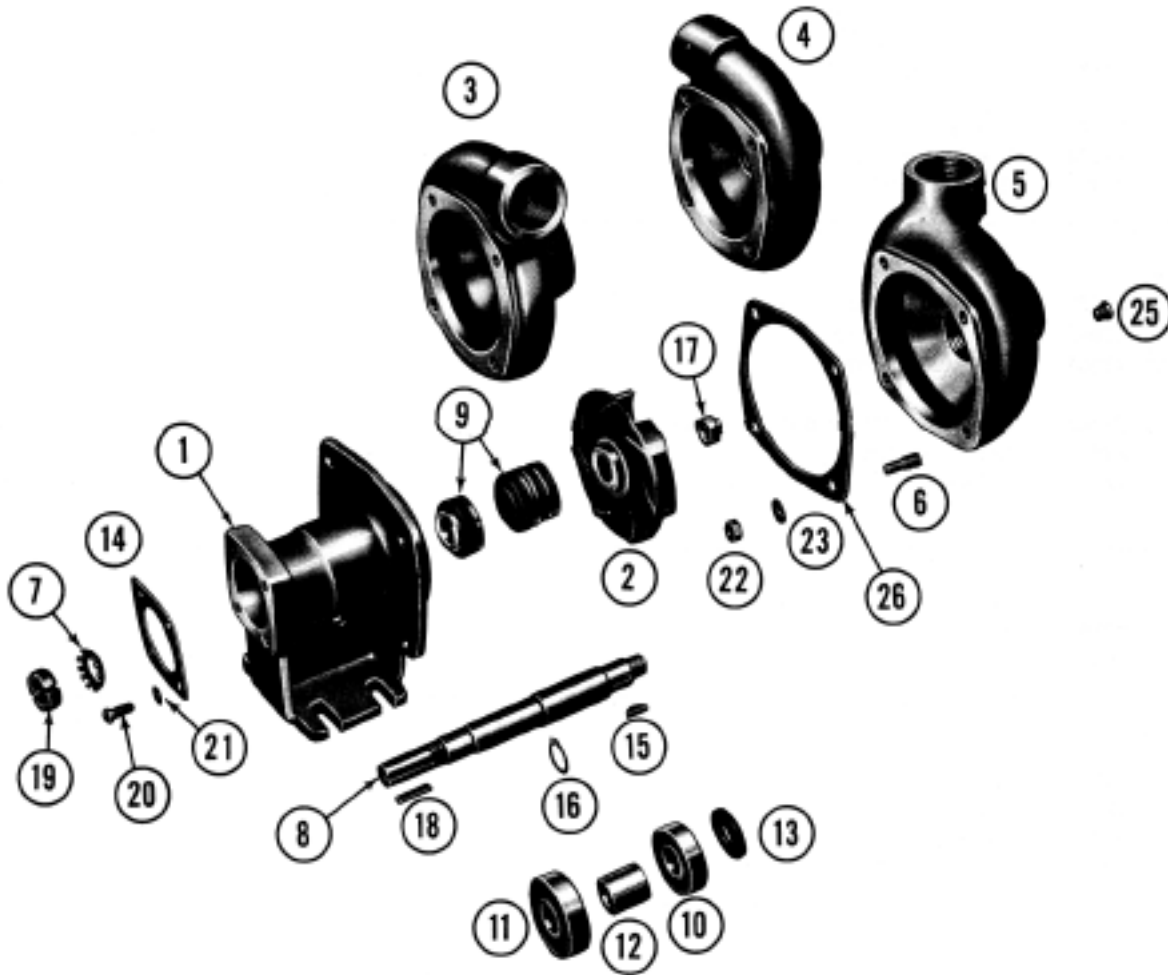


# MP PUMPS SERVICE PARTS LIST

- Foot Mounted   ● Belt or Direct Drive   ● Mechanical Seal
- Bronze Construction   ● Right Hand, Left Hand, Reversible Design

**SERIES 30**  
**1" x 3/4" Pipe Size**



IMPORTANT: When ordering parts, specify model and serial number shown on nameplate.

ITEM NO.	PART NO.	DESCRIPTION	QUANTITY REQUIRED PER MODEL			
			METAL	R. HAND	L. HAND	REVERSIBLE
			ALL MODELS LISTED ARE BRONZE			
			ALL MODELS LISTED ARE 1" x 3/4"			
			23202	23144		NA

**HOUSING**

	22914	Housing Assembly - Inc:				
3		Housing - Bronze	1			
6	21150	Stud - Br. - 5/16"	4			
25	21185	Pipe Plug - 1/8" NPT	1			
	22917	Housing Assembly - Inc:				1
4		Housing - Bronze				1
6	21150	Stud - Br. - 5/16"				4
25	21185	Pipe Plug - 1/8" NPT				1



**MP PUMPS, INC.**

34800 BENNETT • FRASER, MI 48026-1686  
 (586) 293-8240 • FAX (586) 293-8469  
 (800) 563-8006 • www.mppumps.com

**FORM 7021-A**

PRINTED IN U.S.A.

ITEM NO.	PART NO.	DESCRIPTION	QUANTITY REQUIRED PER MODEL		
			METAL	ALL MODELS LISTED ARE BRONZE	
			PIPE SIZE	ALL MODELS LISTED ARE 1" x 3/4"	
			ROTATION	R. HAND	L. HAND
MODEL NO.	23202	23144	NA		

**HOUSING**

	<b>NA</b>	Housing Assembly - Inc.			
5		Housing - Bronze			1
6	21150	Stud - Br. - 5/16"			4
25	21185	Pipe Plug - 1/8" NPT			1
22	21179	Hex Nut - Br. - 5/16"	4	4	4
23	21184	Washer - Br. - 5/16"	4	4	4
26	21126	Gasket - 010"	4	4	4

**IMPELLER**

2	22572	Impeller - Bronze	1		
2	22582	Impeller - Bronze		1	
2	<b>NA</b>	Impeller - Bronze			1
15	21865	Key - S.S. - #2 - Impeller to Shaft	1	1	1
17	22588	Nut - S.S. - 3/8"	1	1	1
N/S	22602	Shim - S.S. - 1/2"	2	2	2

**SEAL**

9	22590	Seal	1	1	1
13	21435	Slinger	1	1	1

**SHAFT**

8	22574	Shaft - S.S.	1	1	1
19	22579	Locknut	1	1	1
7	22580	Lockwasher	1	1	1
18	22587	Key - 1/8" - Drive	1	1	1

**BODY**

1	22569	Body - Bronze	1	1	1
10	22576	Bearing - Impeller End	1	1	1
11	22575	Bearing - Drive End	1	1	1
12	22577	Spacer	1	1	1
16	22581	Retaining Ring	1	1	1
14	21142	Bearing Retainer	1	1	1
20	21177	Round Head Screw - Br. - 10-20	4	4	4
21	21621	Lockwasher - #10	4	4	4



**MP PUMPS, INC.**

34800 BENNETT • FRASER, MI 48026-1686  
 (586) 293-8240 • FAX (586) 293-8469  
 (800) 563-8006 • www.mppumps.com

**FORM 7021-A**

PRINTED IN U.S.A.