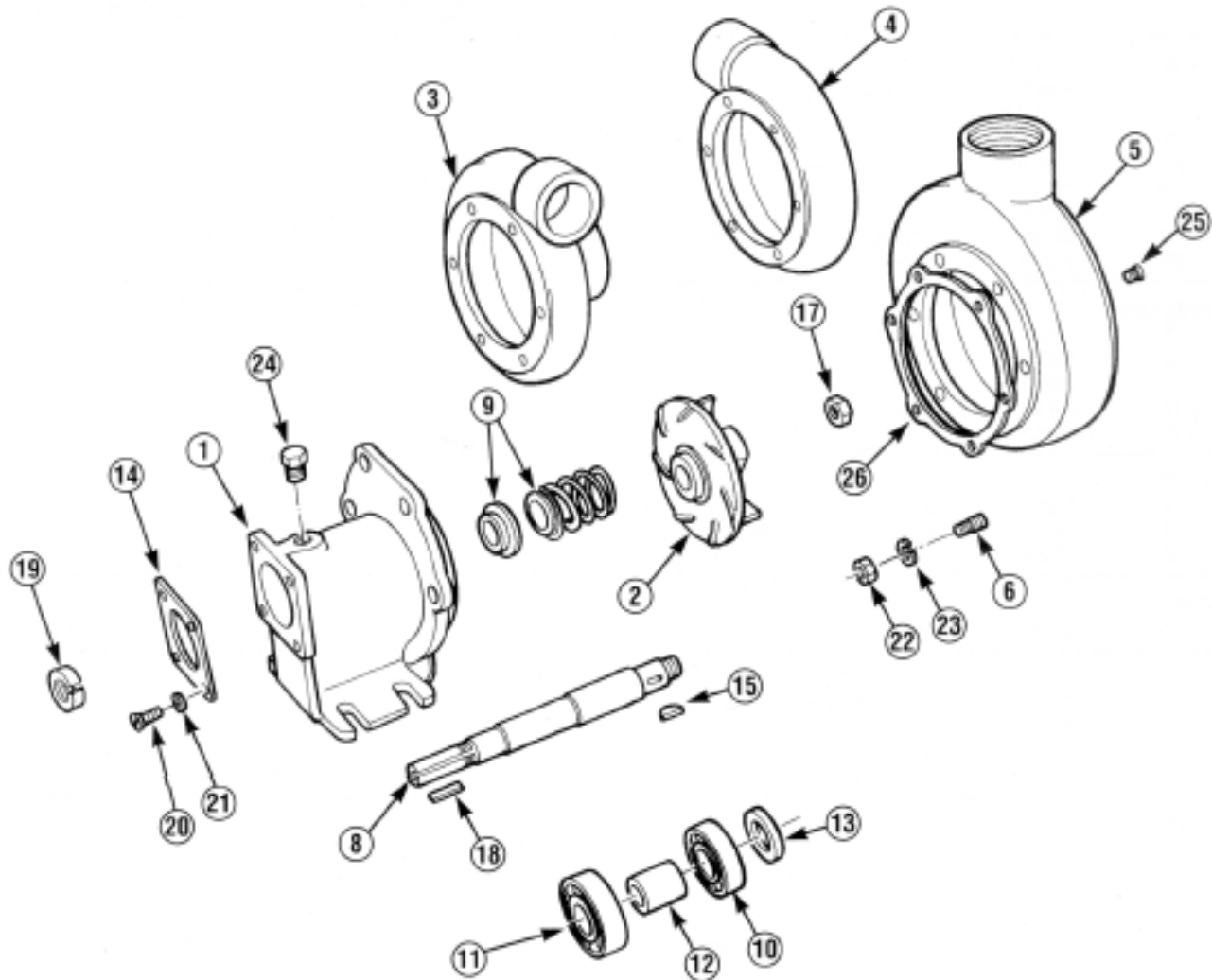


# MP PUMPS SERVICE PARTS LIST

- Bronze Straight Centrifugal
- Foot Mounted
- Mechanical Seal

**Series 200**  
**2 1/2" x 2" Pipe Size**



**IMPORTANT:** When ordering parts, specify model and serial number shown on nameplate.

ITEM NO.	PART NO.	DESCRIPTION	QUANTITY REQUIRED PER MODEL			
			METAL	ALL MODELS LISTED ARE BRONZE		
			PIPE SIZE	ALL MODELS LISTED ARE 2-1/2" X 2"		
			ROTATION	R. HAND	L. HAND	REVERSIBLE
			MODEL NO.	23214	23153	22662
<b>HOUSING</b>						
	22936	Housing Assembly — Includes:		1		
3	21201	Housing — Bronze		1		
6	21260	Stud — S.S. — 3/8"		6		
25	21267	Pipe Plug — S.S. — 1/4" NPT		2		
<hr/>						
	22938	Housing Assembly — Includes:		1		
4	21204	Housing — Bronze		1		
6	21260	Stud — S.S. — 3/8"		6		
25	21267	Pipe Plug — S.S. — 1/4" NPT		1		



34800 BENNETT • FRASER, MI 48026-1686  
(586) 293-8240 • FAX (586) 293-8469  
(800) 563-8006 • www.mppumps.com

**FORM 7048-B**

PRINTED IN U.S.A.—GB

# MP PUMPS SERVICE PARTS LIST

ITEM NO.	PART NO.	DESCRIPTION	QUANTITY REQUIRED PER MODEL			
			METAL	ALL MODELS LISTED ARE BRONZE		
			PIPE SIZE	ALL MODELS LISTED ARE 2-1/2" X 2"		
			ROTATION	R. HAND	L. HAND	REVERSIBLE
			MODEL NO.	23214	23153	22662
<b>HOUSING - Continued</b>						
	22966	Housing Assembly — Includes:				1
5	21708	Housing — Bronze				1
6	21260	Stud — S.S. — 3/8"				6
25	21267	Pipe Plug — S.S. — 1/4" NPT				1
22	21268	Hex Nut — S.S. — 3/8"	6	6		6
23	21266	Lockwasher — S.S. — 3/8"	6	6		6
26	21216	Gasket	4	4		4
<b>IMPELLER</b>						
2	22649	Impeller	1			
2	22660	Impeller		1		
2	22647	Impeller				1
17	22655	Locknut — S.S. — 5/8"	1	1		1
15	21762	Key — S.S. — #8	1	1		1
<b>SHAFT</b>						
8	22654	Shaft — S.S.	1	1		1
18	21937	Key — Steel — 3/16" sq. (drive)	1	1		1
19	22652	Locknut — Steel — Bearing	1	1		1
<b>SEAL</b>						
9	22640	Seal	1	1		1
<b>BEARING</b>						
10	22618	Ball Bearing — Impeller End	1	1		1
11	22620	Ball Bearing — Drive End	1	1		1
12	22617	Spacer	1	1		1
13	21198	Slinger	1	1		1
<b>BODY</b>						
1	22645	Body — Bronze	1	1		1
14	21210	Bearing Retainer	1	1		1
20	21258	Rd. Head Screw — S.S. — 1/4"	4	4		4
21	21192	Lockwasher — 1/4"	4	4		4



**MP PUMPS, INC.**

34800 BENNETT • FRASER, MI 48026-1686  
 (586) 293-8240 • FAX (586) 293-8469  
 (800) 563-8006 • www.mppumps.com

**FORM 7048-B**

PRINTED IN U.S.A.—GB (10/94)