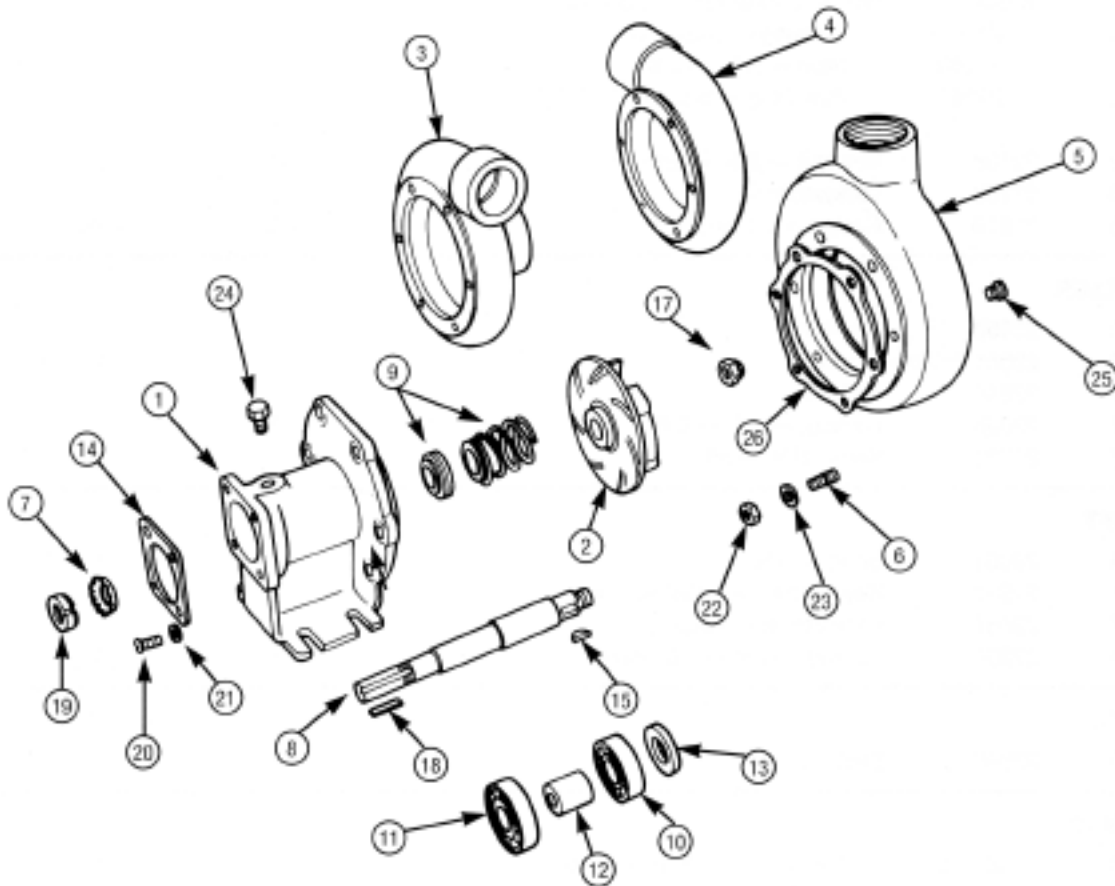


MP PUMPS SERVICE PARTS LIST

- Straight Centrifugal
- Mechanical Seal

- Foot Mounted

SERIES 200
2 1/2" — 2" Pipe Size



IMPORTANT: When ordering parts, specify model and serial number shown on nameplate.

ITEM NO.	PART NO.	DESCRIPTION	QUANTITY REQUIRED PER MODEL			
			METAL	ALL MODELS LISTED ARE CAST IRON		
			PIPE SIZE	ALL MODELS LISTED ARE 2-1/2" x 2"		
			ROTATION	R. HAND	L. HAND	REVERSIBLE
			MODEL NO.	23215	23154	22663

HOUSING

	22937	Housing Assembly — Includes:	1		
3	21203	Housing — Cast Iron	1		
6	21260	Stud — S.S. — 3/8"	6		
25	21267	Pipe Plug — S.S. — 1/4" NPT	2		
	22939	Housing Assembly — Includes:		1	
4	21206	Housing — Cast Iron		1	
6	21260	Stud — S.S. — 3/8"		6	
25	21267	Pipe Plug — S.S. — 1/4" NPT		1	



MP PUMPS, INC.

34800 BENNETT • FRASER, MI 48026-1686
(586) 293-8240 • FAX (586) 293-8469
(800) 563-8006 • www.mppumps.com

FORM 7031-C

PRINTED IN U.S.A. (9-95)

ITEM NO.	PART NO.	DESCRIPTION	QUANTITY REQUIRED PER MODEL			
			METAL	ALL MODELS LISTED ARE CAST IRON		
			PIPE SIZE	ALL MODELS LISTED ARE 2-1/2" x 2"		
			ROTATION	R. HAND	L. HAND	REVERSIBLE
			MODEL NO.	23215	23154	22663

HOUSING - CONTINUED

	22967	Housing Assembly — Includes:				1
5	21710	Housing — Cast Iron				1
6	21260	Stud — S.S. — 3/8"				6
25	21267	Pipe Plug — S.S. — 1/4" NPT				1
22	22168	Hex Nut — S.S. — 3/8"	6	6		6
23	21266	Lockwasher — S.S. — 3/8"	6	6		6
26	21216	Gasket (4 per set)	1 Set	1 Set		1 Set

IMPELLER

2	22650	Impeller	1			
2	22660	Impeller		1		
2	22648	Impeller				1
17	22655	Locknut — S.S. — 5/8"	1	1		1
15	21762	Key — S.S. — #8	1	1		1

SHAFT

8	22654	Shaft — S.S.	1	1		1
18	21937	Key — Steel — 3/16" sq. (drive)	1	1		1
7	22651	Lockwasher — Bearing	1	1		1
19	22652	Locknut — Steel — Bearing	1	1		1

SEAL

9	22640	Seal	1	1		1
---	-------	------	---	---	--	---

BEARING

10	22618	Ball Bearing — Impeller End	1	1		1
11	22620	Ball Bearing — Drive End	1	1		1
12	22617	Spacer	1	1		1
13	21198	Slinger	1	1		1

BODY

1	22646	Body — Cast Iron	1	1		1
14	21210	Bearing Retainer	1	1		1
20	21258	Rd. Head Screw — S.S. — 1/4"	4	4		4
21	21192	Lockwasher — 1/4"	4	4		4



MP PUMPS, INC.

34800 BENNETT • FRASER, MI 48026-1686
 (586) 293-8240 • FAX (586) 293-8469
 (800) 563-8006 • www.mppumps.com

FORM 7031-C

PRINTED IN U.S.A. (9-95)