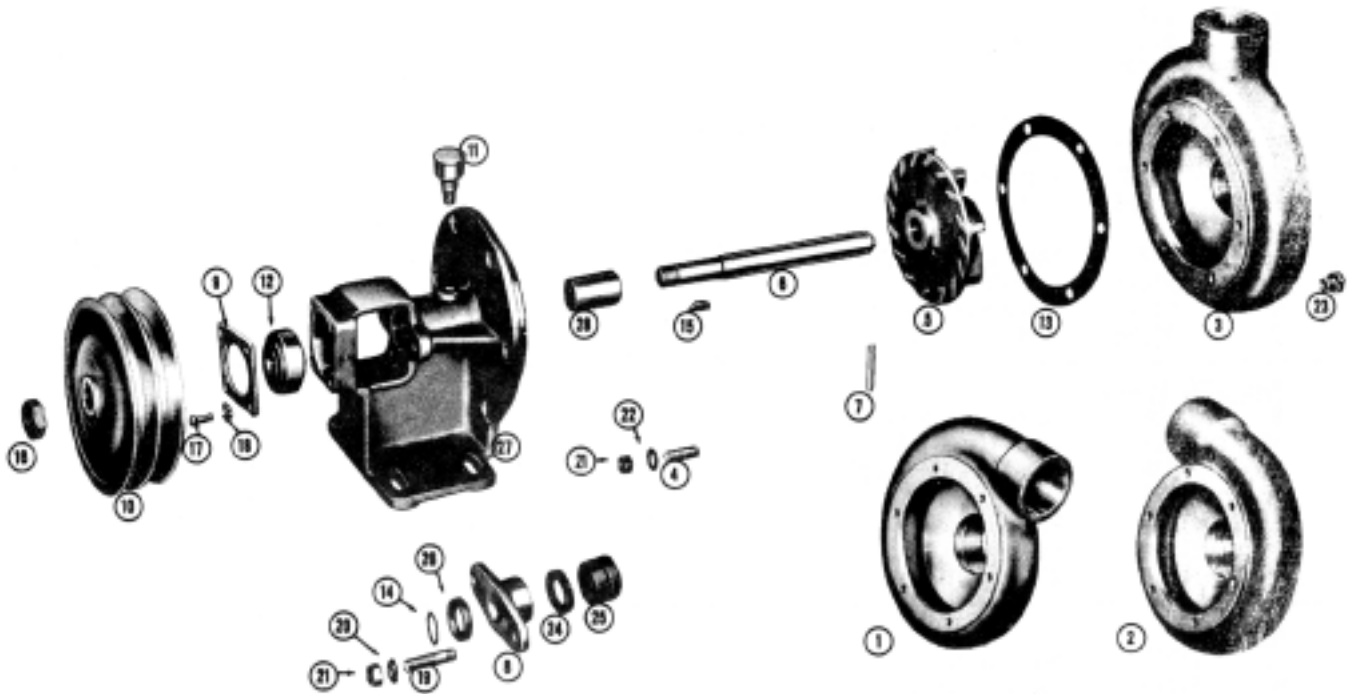


MP PUMPS SERVICE PARTS LIST

- Bronze Straight Centrifugal • Foot Mounted
- Pulley Drive • Stuffing Box Seal

Series 200
2½" x 2" Pipe Size



IMPORTANT: When ordering parts, specify model and serial number shown on nameplate.

ITEM NO.	PART NO.	DESCRIPTION	QUANTITY REQUIRED PER MODEL			
			METAL	ALL MODELS LISTED ARE BRONZE		
			PIPE SIZE	ALL MODELS LISTED ARE 2-1/2" x 2"		
			ROTATION	R. HAND	L. HAND	REVERSIBLE
			MODEL NO.	23175	NA	21706

HOUSING

	22936	Housing Assembly – Includes:			
1	21201	Housing – Bronze	1		
4	21217	Stud – Br. – 3/8"	6		
23	21186	Pipe Plug – Br. – 1/8" NPT	1		
	22938	Housing Assembly – Includes:			
2	21204	Housing – Bronze		1	
4	21217	Stud – Br. – 3/8"		6	
23	21186	Pipe Plug – 1/8" NPT		1	
	22966	Housing Assembly – Includes:			
3	21708	Housing – Bronze			1
4	21217	Stud – Br. – 3/8"			6
23	21186	Pipe Plug – Br. – 1/8" NPT			1
21	21230	Hex Nut – Br. – 3/8"	6	6	6
22	21233	Washer – Plain – 3/8"	6	6	6
13	21216	Gasket –	4	4	4



MP PUMPS, INC.

34800 BENNETT • FRASER, MI 48026-1686
(586) 293-8240 • FAX (586) 293-8469
(800) 563-8006 • www.mppumps.com

FORM 7022-A

PRINTED IN U.S.A.—GB

ITEM NO.	PART NO.	DESCRIPTION	QUANTITY REQUIRED PER MODEL			
			METAL	ALL MODELS LISTED ARE BRONZE		
			PIPE SIZE	ALL MODELS LISTED ARE 2-1/2" x 2"		
			ROTATION	R. HAND	L. HAND	REVERSIBLE
			MODEL NO.	23175	NA	21706

IMPELLER

	21213	Shaft & Impeller Assembly – Includes:	1		
6	21211	Shaft – S.S.	1		
5	21207	Impeller – Br.	1		
7	21226	Pin – Br. – 1/4"	1		
	21214	Shaft & Impeller Assembly – Includes:		1	
6	21211	Shaft – S.S.		1	
7	21226	Pin – Br. – 1/4"		1	
	21712	Shaft & Impeller Assembly – Includes:			1
6	21211	Shaft – S.S.			1
5	21711	Impeller – Br.			1
7	21226	Pin – Br. 1/4"			1

PACKING GLAND

8	21208	Packing – Gland – Br.	1	1	1
19	21721	Stud – Br. – 3/8"	2	2	2
21	21230	Hex Nut – Br. – 3/8"	2	2	2
20	21219	Spring Washer	2	2	2
24	21220	Packing – Service	4	4	4
25	21234	Packing – Solid	1	1	1
26	21236	Slinger	1	1	1

BEARING

12	21225	Ball Bearing	1	1	1
9	21210	Bearing Retainer	1	1	1
11	21160	Grease Cup	1	1	1
17	21229	Round Head Screw – Br. – 1/4"	4	4	4
18	21192	Lockwasher – 1/4"	4	4	4

BODY

	22934	Body Assembly – Includes:	1	1	1
27	21200	Body – Bronze	1	1	1
28	21221	Bushing – Br.	1	1	1
14	21224	Shim – Br. – 15/16"	1	1	1

PULLEY

10	21223	Pulley	1	1	1
15	21750	Key – Stl. – #8	1	1	1
16	21228	Hex Nut – Br. – 3/4"	1	1	1



MP PUMPS, INC.

34800 BENNETT • FRASER, MI 48026-1686
 (586) 293-8240 • FAX (586) 293-8469
 (800) 563-8006 • www.mppumps.com

FORM 7022-A

PRINTED IN U.S.A.—GB