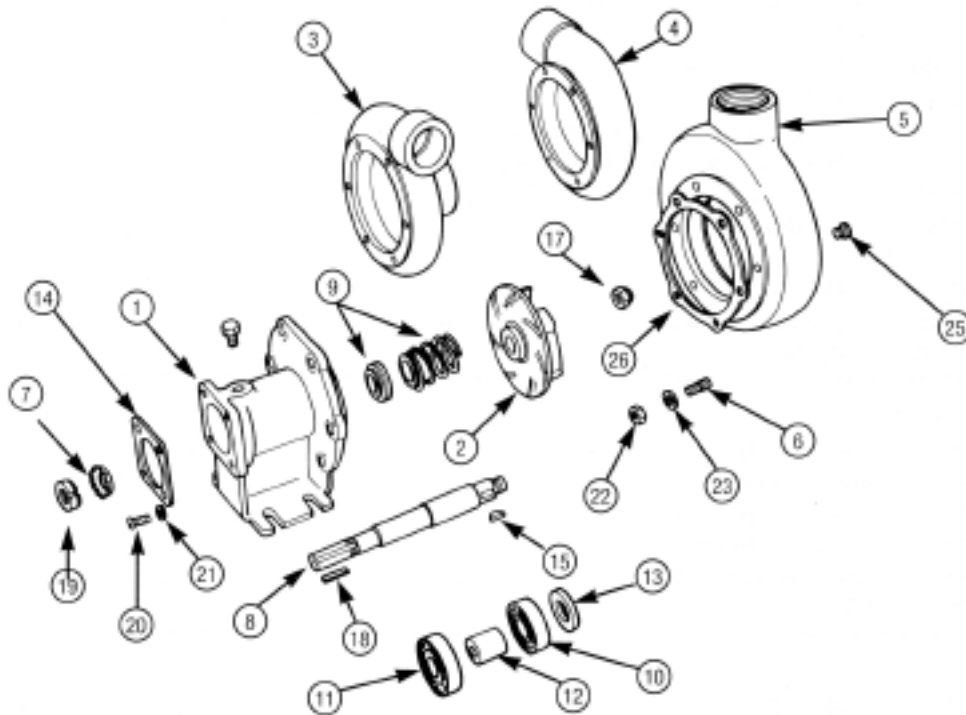


MP PUMPS SERVICE PARTS LIST

- Straight Centrifugal (Bronze)
- Foot Mounted
- Belt or Direct Drive
- Mechanical Seal

SERIES 110 1 1/2" x 1 1/4" Pipe Size
SERIES 130 2" x 1 1/2" Pipe Size



IMPORTANT: When ordering parts, specify model and serial number shown on nameplate.
 N/S means not shown in exploded view of parts.

ITEM	PART NO.	DESCRIPTION	QUANTITY REQUIRED PER MODEL					
			METAL	ALL MODELS LISTED ARE BRONZE				
			ROTATION	R. HAND	L. HAND	R. HAND	L. HAND	REVERSIBLE
			PIPE SIZE	1-1/2" x 1-1/4"	1-1/2" x 1-1/4"	2" x 1-1/2"	2" x 1-1/2"	2" x 1-1/2"
MODEL NO.	23205	23147	23208	23150	22623			

HOUSING

22921	Housing Assembly — Consisting of:	1				
3	21133 Housing — Bronze — R.H.	1				
6	21150 Stud — Br. — 5/16"	6				
25	21185 Pipe Plug — 1/8" NPT	1				
22923	Housing Assembly — Consisting of:	1				
4	21136 Housing — Bronze — R.H.	1				
6	21150 Stud — Br. — 5/16"	6				
25	21185 Pipe Plug — 1/8" NPT	1				
22929	Housing Assembly — Consisting of:	1				
3	21167 Housing — Bronze — R.H.	1				
6	21150 Stud — Br. — 5/16"	6				
25	21185 Pipe Plug — 1/8" NPT	1				



MP PUMPS, INC.

34800 BENNETT • FRASER, MI 48026-1686
 (586) 293-8240 • FAX (586) 293-8469
 (800) 563-8006 • www.mppumps.com

FORM 7029-C

PRINTED IN U.S.A. (9-95)

ITEM	PART NO.	DESCRIPTION	QUANTITY REQUIRED PER MODEL					
			METAL	ALL MODELS LISTED ARE BRONZE				
			ROTATION	R. HAND	L. HAND	R. HAND	L. HAND	REVERSIBLE
			PIPE SIZE	1-1/2" x 1-1/4"	1-1/2" x 1-1/4"	2" x 1-1/2"	2" x 1-1/2"	2" x 1-1/2"
MODEL NO.	23205	23147	23208	23150	22623			

HOUSING - CONTINUED

	22931	Housing Assembly — Consisting of:							
4	21170	Housing — Bronze — L.H.							1
6	21150	Stud — Br. — 5/16"							1
25	21185	Pipe Plug — 1-8" NPT							6
	22949	Housing Assembly — Consisting of:							1
5	21617	Housing — Bronze — Reversible							1
6	21150	Stud — Br. — 5/16"							6
25	21185	Pipe Plug — 1/8" NPT							1
22	21179	Hex Nut — 5/16"	6	6	6	6	6	6	6
23	21184	Lockwasher — 5/16"	6	6	6	6	6	6	6
26	21149	Gasket	4	4	4	4	4	4	4

IMPELLER

2	26088	Impeller — Bronze	1	1					
2	22627	Impeller — Bronze			1				
2	22631	Impeller — Bronze				1			
2	22634	Impeller — Bronze							1
15	21880	Key — Impeller to Shaft	1	1	1	1	1	1	1
17	22629	Locknut	1	1	1	1	1	1	1

SHAFT

8	22622	Shaft — S.S.	1	1	1	1	1	1	1
18	21937	Key — Drive	1	1	1	1	1	1	1
7	22651	Lockwasher — Bearing	1	1	1	1	1	1	1
19	22652	Locknut	1	1	1	1	1	1	1

SEAL

9	22640	Seal	1	1	1	1	1	1	1
---	-------	------	---	---	---	---	---	---	---

BEARING

10	22618	Ball Bearing — Impeller End	1	1	1	1	1	1	1
11	22620	Ball Bearing — Drive End	1	1	1	1	1	1	1
12	22617	Spacer	1	1	1	1	1	1	1
13	21198	Slinger	1	1	1	1	1	1	1

BODY

1	22613	Body — Bronze	1	1	1	1	1	1	1
14	21210	Bearing Retainer	1	1	1	1	1	1	1
20	21532	Rd. Head Screw — 1/4"	4	4	4	4	4	4	4
21	21192	Lockwasher — 1/4"	4	4	4	4	4	4	4



MP PUMPS, INC.

34800 BENNETT • FRASER, MI 48026-1686
 (586) 293-8240 • FAX (586) 293-8469
 (800) 563-8008 • www.mppumps.com

FORM 7029-C

PRINTED IN U.S.A. (9-95)