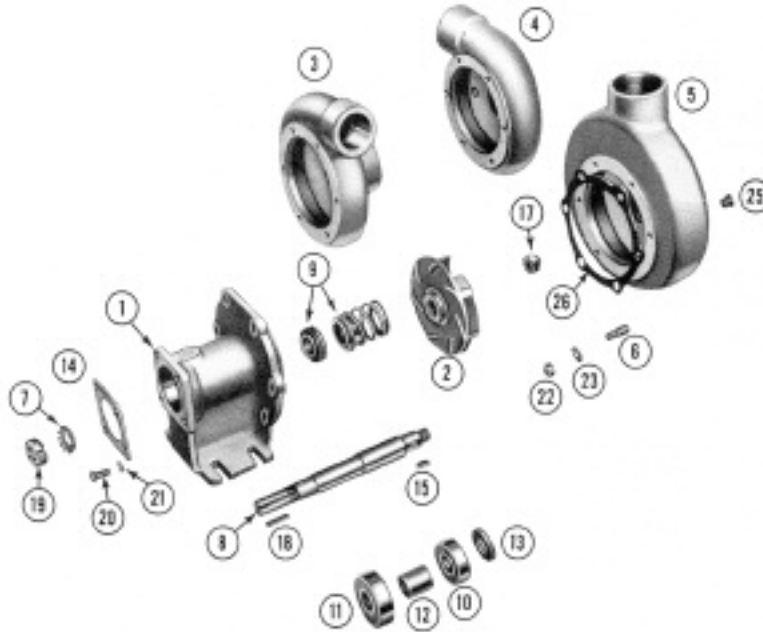


MP PUMPS SERVICE PARTS LIST

- Straight Centrifugal
- Belt or Direct Drive
- Mechanical Seal

Series 110 1½" x 1¼" Pipe Size
Series 130 2" x 1½" Pipe Size



IMPORTANT: When ordering parts, specify **MODEL** and **SERIAL NUMBER** shown on nameplate.
 N/S means "not shown" in exploded view of parts.

ITEM	PART NO.	DESCRIPTION	QUANTITY REQUIRED PER MODEL					
			ALL MODELS LISTED ARE CAST IRON					
			METAL	R. HAND	L. HAND	R. HAND	L. HAND	REVERS.
			ROTAION	1-1/2" X 1-1/4"	1-1/2" X 1-1/4"	2" X 1-1/2"	2" X 1-1/2"	2" X 1-1/2"
			PIPE SIZE	23206	23148	23209	23151	22624
			MODEL NO.					

HOUSING

	22922	Housing Assy. R.H. Cast Iron - Inc.		1			
3		Housing - Cast Iron		1			
6	21243	Stud - S.S. - 5/16"		6			
25	21255	Pipe Plug - S.S. - 1/8" NPT.		1			
	22925	Housing Assy. L.H. - Cast Iron - Inc.			1		
4		Housing - Cast Iron			1		
6	21243	Stud - S.S. - 5/16"			6		
25	21255	Pipe Plug - S.S. - 1/8" NPT.			1		
	22930	Housing Assy. R.H. - Cast Iron - Inc.				1	
3		Housing - Cast Iron				1	
6	21243	Studding S.S. - 5/16"				6	
25	21255	Pipe Plug - S.S. - 1/8" NPT.				2	



MP PUMPS, INC.

34800 BENNETT • FRASER, MI 48026-1686
 (586) 293-8240 • FAX (586) 293-8469
 (800) 563-8006 • www.mppumps.com

FORM 7008-B

PRINTED IN U.S.A.

ITEM	PART NO.	DESCRIPTION	QUANTITY REQUIRED PER MODEL					
			METAL	ALL MODELS LISTED ARE CAST IRON				
			ROTATION	R. HAND	L. HAND	R. HAND	L. HAND	REVERS.
			PIPE SIZE	1-1/2" X 1-1/4"	1-1/2" X 1-1/4"	2" X 1-1/2"	2" X 1-1/2"	2" X 1-1/2"
MODEL NO.	23206	23148	23209	23151	22624			

HOUSING (Continued)

	22932	Housing Assy. L.H. - Cast Iron - Inc.					1
4		Housing - Cast Iron					6
6	21243	Stud - S.S. - 5/16"					1
25	21255	Pipe Plug - S.S. - 1/8" NPT					
	22950	Housing Assy. Rev. - Cast Iron - Inc.					
5		Housing - Cast Iron					1
6	21243	Stud - S.S. - 5/16"					6
25	21255	Pipe Plug - S.S. - 1/8" NPT					3
22	21244	Hex Nut - S.S. - 5/16"	6	6	6	6	6
23	21238	Lockwasher - S.S. - 5/16"	6	6	6	6	6
26	21149	Gasket	1	1	1	1	1

IMPELLER

2	22610	Impeller - Cast Iron	1	1			
2	22628	Impeller - Cast Iron			1		
2	22632	Impeller - Cast Iron				1	
2	22635	Impeller - Cast Iron					1
15	21163	Key - S.S. - #6 (Impeller to shaft)	1	1	1	1	1
17	22621	Lock Nut - 1/2"	1	1	1	1	1
N/S	22305	Shim - S.S. - 5/8"	2	2	2	2	2

SEAL

9	22640	Seal Assembly	1	1	1	1	1
13	21198	Slinger - Neoprene	1	1	1	1	1

SHAFT

8	22622	Shaft - S.S.	1	1	1	1	1
18	21937	Key - 3/16" - Drive	1	1	1	1	1
19	22652	Lock Nut	1	1	1	1	1
7	22651	Lockwasher - Ball Bearing	1	1	1	1	1

BODY

1	22614	Body - Cast Iron	1	1	1	1	1
10	22618	Bearing - Impeler End	1	1	1	1	1
11	22620	Bearing - Pulley End	1	1	1	1	1
14	21210	Bearing Retainer	1	1	1	1	1
12	22617	Spacer - Bearing	1	1	1	1	1
20	21258	Screw - S.S. - 1/4" - Retainer	4	4	4	4	4
21	21192	Lockwasher	4	4	4	4	4



MP PUMPS, INC.

34800 BENNETT • FRASER, MI 48026-1686
 (586) 293-8240 • FAX (586) 293-8469
 (800) 563-8006 • www.mppumps.com

FORM 7008-B

PRINTED IN U.S.A