

# MP PUMPS SERVICE PARTS LIST

**HHLF "HR" - Bronze**

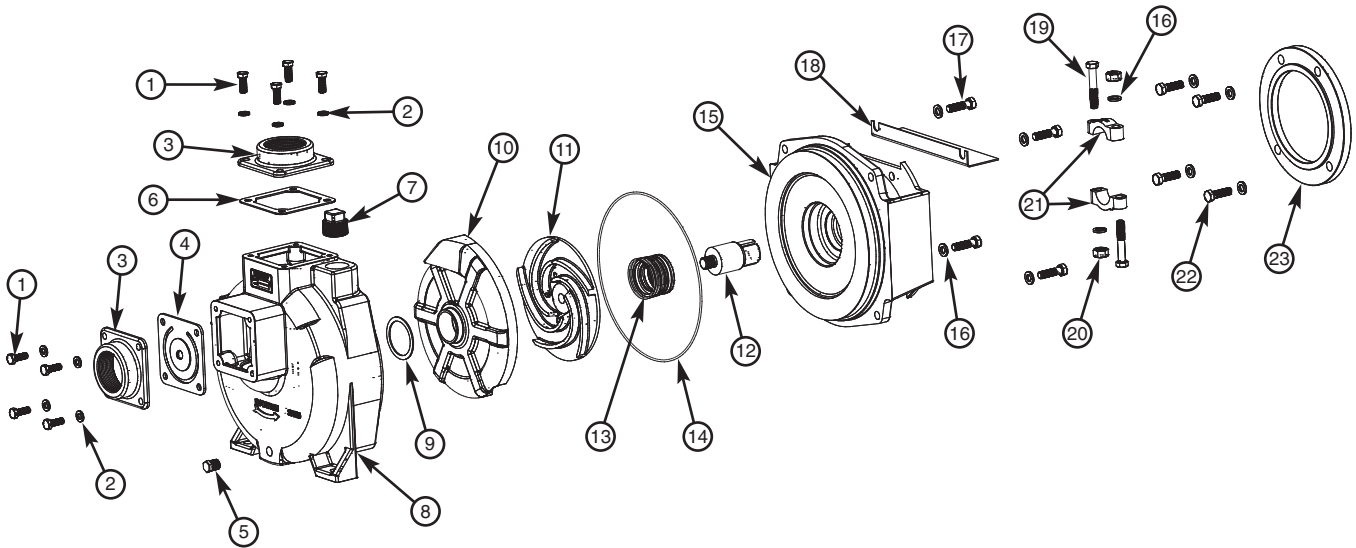
**1.5" x 1.5"**

**2.0" x 2.0"**

**Self Priming**

**Engine mount**

**Pedestal Mount**



PART NO.	ITEM NO.	DESCRIPTION	QTY.	PART NO.	ITEM NO.	DESCRIPTION	QTY.
21242	1	CAPSCREW - 5/16"-18 X 7/8" - S.S.	8	29533 *	13	SEAL - Ø1.5 - T-21	1
21238	2	LOCKWASHER - 5/16" - S.S.	8	28907 *	14	O-RING - VITON	1
22265	3	1.5" SCT & DISCH FLANGE	2	29093	15	ADAPTER - BRONZE PEM	1
22310	3	2" SCT & DISCH FLANGE	2	21266	16	LOCKWASHER - 3/8" X 1/8" S.S.	10
23022 *	4	FLAPPER ASSEMBLY - BUNA	1	21259	17	CAPSCREW - 3/8"-16 X 1-3/8" S.S.	4
21186	5	PIPE PLUG - 1/4" N.P.T	1	29192	18	CLAMP GUARD - STEEL	1
22256 *	6	GASKET - BUNA	1	23039	ASSY	CLAMP	1
22378	7	PIPE PLUG - 1" N.P.T. - BRONZE	1	INCL	19	CAPSCREW - 3/8" - 16 X 2.25" - S.S.	2
35118	8	HOUSING - BRONZE "HR"	1	INCL	20	HEXNUT - 3/8" - 16 - S.S.	2
28908 *	9	GASKET - VITON	1	INCL	21	CLAMP 1.0 - S.S.	2
33453	10	VOLUTE - BRONZE	1	INCL	16	LOCKWASHER - 3/8"X 1/8" S.S.	2
35921	11	IMPELLER - BRONZE 6.7 IMP DIA.	1	21274	22	CAPSCREW - 3/8"-16 X 1.25" S.S.	4
36082	11	IMPELLER - BRONZE 6.5 IMP DIA.	1	29339	23	ADAPTER PLATE FOR 5.75 PILOT	1
28825	12	DRIVE SLEEVE 1.0" S.S.	1	26163	N/S	PEDESTAL ASSY (PED MOUNT ONLY)	1

N/S = Not Shown

\*-RECOMMENDED REPLACEMENT PARTS



**MP PUMPS, INC.**

34800 BENNETT • FRASER, MI 48026-1686  
 (586) 293-8240 • FAX (586) 293-8469  
 (800) 563-8006 • www.mppumps.com

**Form 7110-A**

06/09