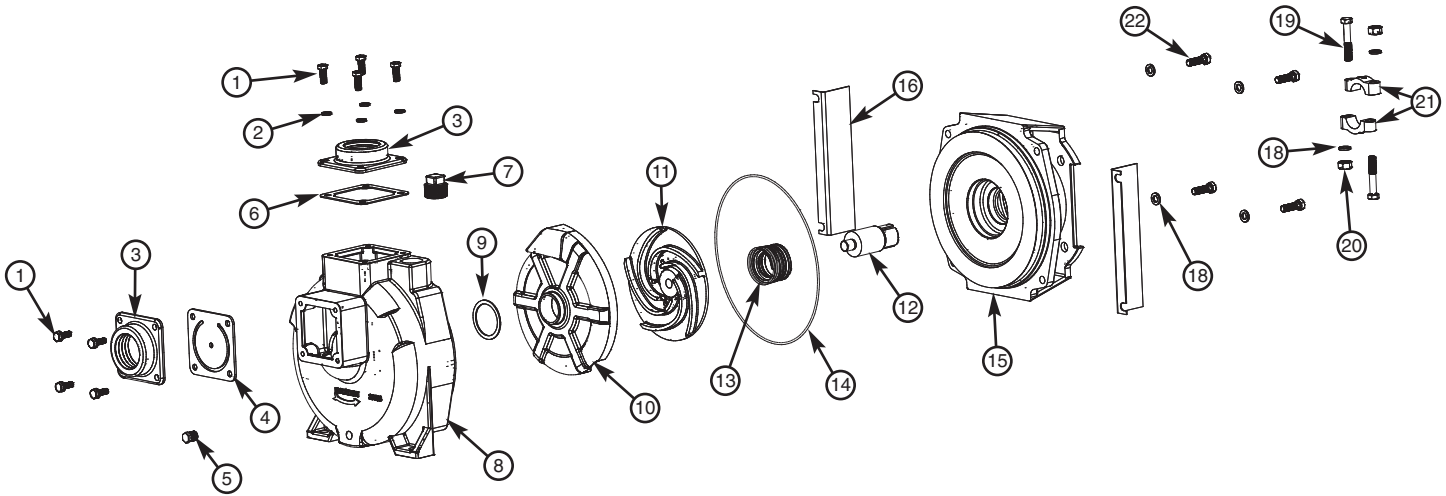


MP PUMPS SERVICE PARTS LIST

HHLF "HR" - Bronze
1.5" x 1.5"
2.0" x 2.0"

Self Priming
Electric Motor



PART NO.	ITEM NO.	DESCRIPTION	QTY.	PART NO.	ITEM NO.	DESCRIPTION	QTY.
21242	1	CAPSCREW - 5/16"-18 X 7/8" - S.S.	8	28826	12	DRIVE SLEEVE 1.12" S.S.	1
21238	2	LOCKWASHER - 5/16" - S.S.	8	29533 *	13	SEAL - Ø1.5 - T-21	1
22265	3	1.5" SCT & DISCH FLANGE	2	28907 *	14	O-RING - VITON	1
22310	3	2" SCT & DISCH FLANGE	2	29057	15	ADAPTER - BRONZE	1
23022 *	4	FLAPPER ASSEMBLY - BUNA	1	29192	16	CLAMP GUARD - STEEL	2
21186	5	PIPE PLUG - 1/4" N.P.T	1	21266	17	LOCKWASHER - 3/8" X 1/8" - S.S.	4
22256 *	6	GASKET - BUNA	1	23039	ASSY	CLAMP	1
22378	7	PIPE PLUG - 1" N.P.T. - BRONZE	1	INCL	18	LOCKWASHER - 3/8" X 1/8" - S.S.	2
35118	8	HOUSING - BRONZE "HR"	1	INCL	19	CAPSCREW - 3/8" - 16 X 2.25" S.S.	2
28908 *	9	GASKET - VITON	1	INCL	20	HEXNUT - 3/8" - 16 - S.S.	2
33453	10	VOLUTE - BRONZE	1	INCL	21	CLAMP 1.0 - S.S	2
35921	11	IMPELLER - BRONZE 6.7 IMP DIA.	1	21274	22	CAPSCREW - 3/8" - 16 X 1.25" S.S.	4
36082	11	IMPELLER - BRONZE 6.5 IMP DIA.	1				

*-RECOMMENDED REPLACEMENT PARTS



MP PUMPS, INC.

34800 BENNETT • FRASER, MI 48026-1686
 (586) 293-8240 • FAX (586) 293-8469
 (800) 563-8006 • www.mppumps.com

Form 7109-A

06/09