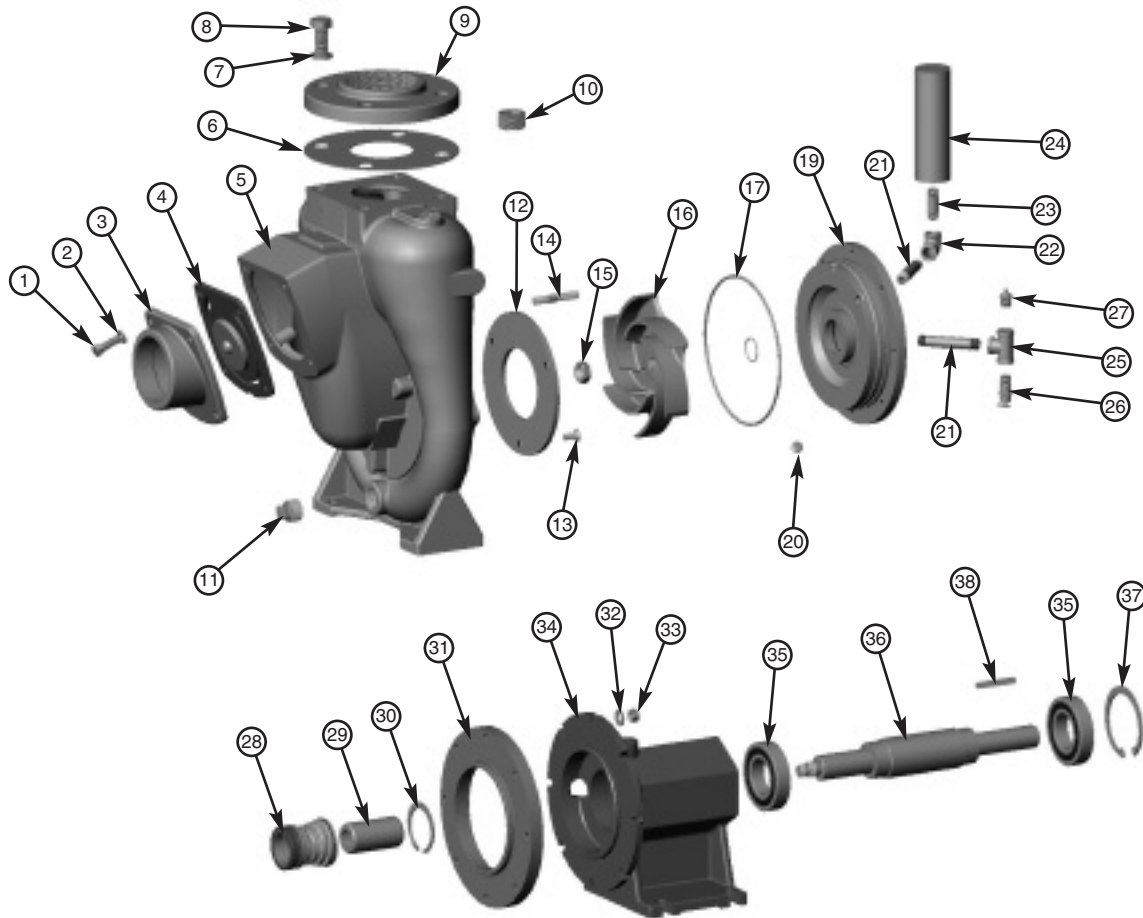


MP PUMPS SERVICE PARTS LIST

FLOMAX® 30 Double Seal

Pedestal Pump



PART NO.	ITEM NO.	DESCRIPTION	QTY.	PART NO.	ITEM NO.	DESCRIPTION	QTY.
21274	1	Capscrew SS 3/8-16 x 1.25"	4	31827	19	Seal Housing DS	1
21266	2	Lockwasher 3/8"	4	33639	20	Pipe Plug 1/4" NPT	2
40537	3	Inlet Flange	1	41652	21	Nipple Steel - 1/4" NPT x 3"	2
42147	4	Flapper Assembly*	1	41672	22	Elbow Stl: 1/4" - 90 Degree	1
31822	5	Housing	1	28635	23	Nipple Steel - 1/4" NPT x 1.5"	1
32034	6	Gasket*	1	31732	24	Grease Reservoir: 1/4" NPT	1
26853	7	Lockwasher - 5/8"	4	31734	25	Pipe Tee - 1/4" NPT	1
32018	8	Capscrew SS 5/8-11 x 1.50"	4	31733	26	Relief Valve - 1/4" NPT (90 psi)	1
32033	9	Discharge Flange 3" NPT	1	31735	27	Grease Fitting - 1/4" NPT	1
22379	10	Pipe Plug - 1" NPT	1	30660	28	Double Mech. Seal - 1.5"	1
41481	11	Pipe Plug 3/4" NPT	1	31983	29	Shaft Sleeve SS - 1.5" I.D.	1
31830	12	Wearplate*	1	29335	30	Int. Retaining Ring	1
32026	13	Flat Head Screw SS 5/16-18 x .75**	3	31836	31	Spacer Plate	1
27335	14	Stud SS - 3/8-16 x 2.50"	8	28053	32	Washer SS - 3/8"	8
29194	15	Hex Jam Nut SS 5/8-18*	1	21268	33	Hex Nut SS - 3/8-16	8
31820	16	Impeller 7.0**	1	31906	34	Bearing Housing	1
33162	16	Impeller 6.75**	1	31804	35	Ball Bearing*	2
33163	16	Impeller 6.35**	1	31837	36	Drive Shaft SS DS	1
32020	17	O-Ring Viton*	1	31803	37	Int. Retaining Ring	1
29334	18	O-Ring Viton*	1	26796	38	Square key SS - .25" x 2.12"	1

*-RECOMMENDED REPLACEMENT PARTS



MP PUMPS, INC.

34800 BENNETT • FRASER, MI 48026-1686
 (586) 293-8240 • FAX (586) 293-8469
 (800) 563-8006 • www.mppumps.com

Form 7099-A

01/06